

ZIRKOL TRACK OPAL

New addition to the collection, Zirkol Linear Track Opal features a linear aluminium profile available in the finishes black and white. Opal screen for a homogeneous downlight emission. LED colour temperature of 3000K or 4000K. Driver on-board.



3000K | 0,84M

LAMPING

Source	Linear LED
Total power	26W
Switching	ON/OFF
Tension	220/240V
Color temperature	3000k
Typ CRI	>90
Notes	driver included RAL 9005 black RAL 9016 white

Codes

BZRL54084G15NBO

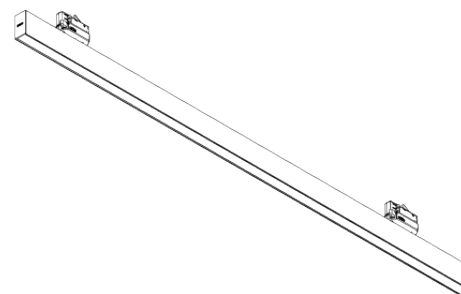
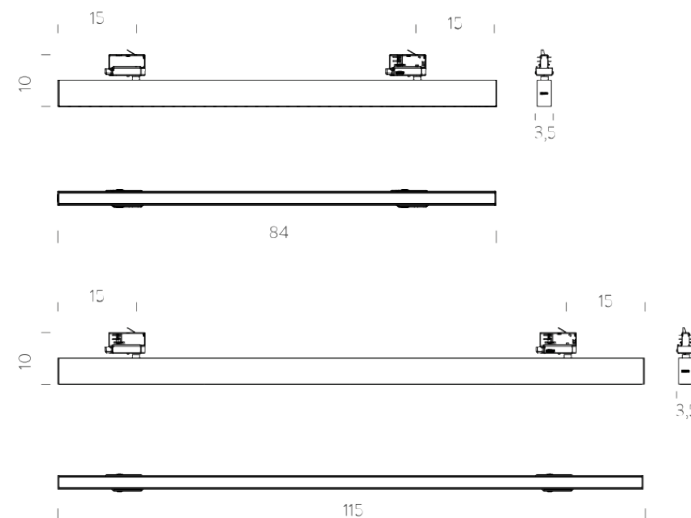
BZRL54084G15NNE

Structure

white

black

Certificazioni



3000K | 1,15M

LAMPING

Source	Linear LED
Total power	26W
Switching	ON/OFF
Tension	220/240V
Color temperature	3000k
Typ CRI	>90
Notes	driver included RAL 9005 black RAL 9016 white

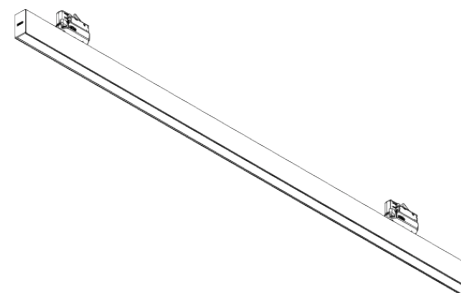
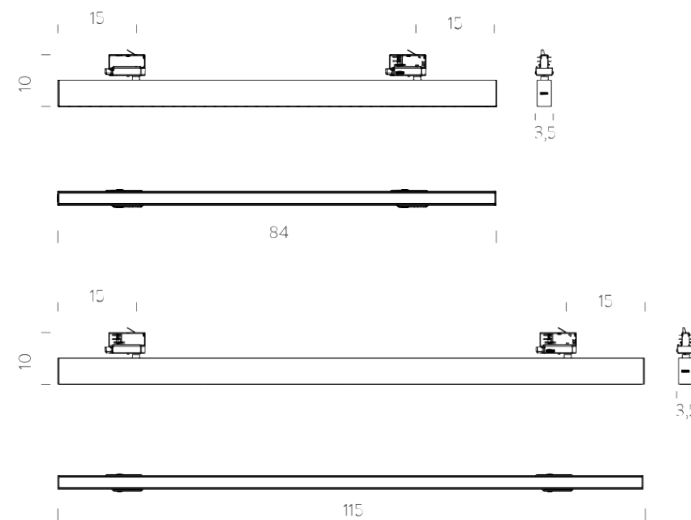
Codes

BZRL54115G15NBO
BZRL54115G15NNE

Structure

white
black

Certificazioni



4000K | 0,84M

LAMPING

Source	Linear LED
Total power	26W
Switching	ON/OFF
Tension	220/240V
Color temperature	4000K
Typ CRI	>90
Notes	driver included RAL 9005 black RAL 9016 white

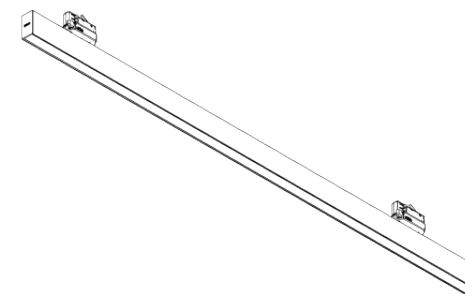
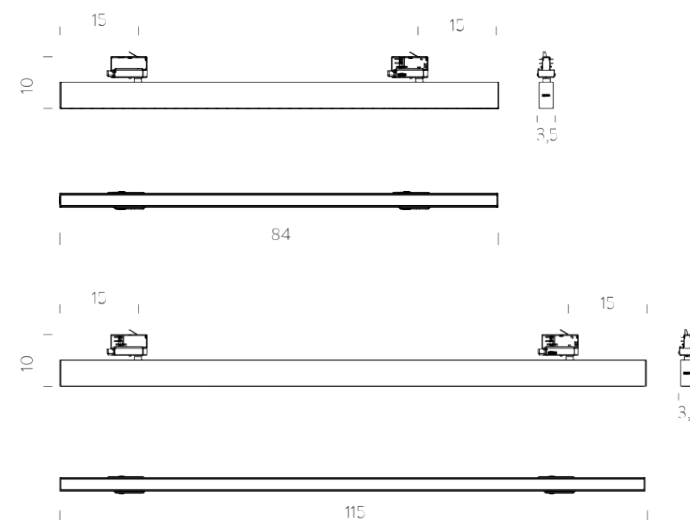
Codes

BZRL54084G15WBO
BZRL54084G15WNE

Structure

white
black

Certificazioni



4000K | 1,15M

LAMPING

Source	Linear LED
Total power	26W
Switching	ON/OFF
Tension	220/240V
Color temperature	4000K
Typ CRI	>90
Notes	driver included RAL 9005 black RAL 9016 white

Codes

BZRL54115G15WBO
BZRL54115G15WNE

Structure

white
black

Certificazioni

