

# FLOS

F8001009 White

## Viscontea

Designed by Achille and Pier Giacomo Castiglioni, 1960



Halogen - 100W

Suspension lamp providing diffused light. White powder coated internal steel structure sprayed with a unique cocoon resin to create the diffuser which is then protected by a transparent sprayed on finish.

Are you a professional and your project needs consulting and support?

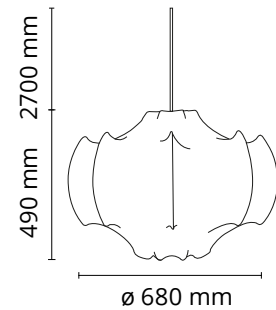
[BOOK AN APPOINTMENT](#)

### Main specifications


EAN	8059607024010
Mounting	Suspension
Environments	Indoor dry location
Light Source Type	Bulb
Lamp category	Halogen
Lamp holders	E27
Ilcos	HSGS
Number of heads	1
Power (W)	100

### Physical

Colour	White
Cord length (mm)	2700
Net weight (kg)	1.75
Package height (mm)	520
Package width (mm)	715
Package length (mm)	715
Package volume (m3)	0.27
IP internal	20



### Download

[Mounting instructions](#)  PDF

[Spare Parts](#)  PDF

### Photometric Files

[LDT / IES](#)  LDT

### Technical Drawings

[2D](#)  ZIP

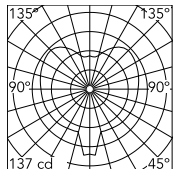
[3D](#)  ZIP



IK
00

IP
20

## Schematic light drawing



Luminous flux Luminaire  
1470 lm

### Photometric

Lighting type	Total
Light distribution	Asymmetric

### Electrical

Insulation class	I
Frequency (Hz)	50/60
Main voltage (Vac)	220-250
LED voltage Vf (Vdc)	null
Dimmable	Yes
Dimming interface	Remote Dimmable (Dimmer Not Included)
Batteries inside	No
Charging min time	No

## Bulbs



NOT INCLUDED

RF32288

LED Lamp E27 15W 2700K T38

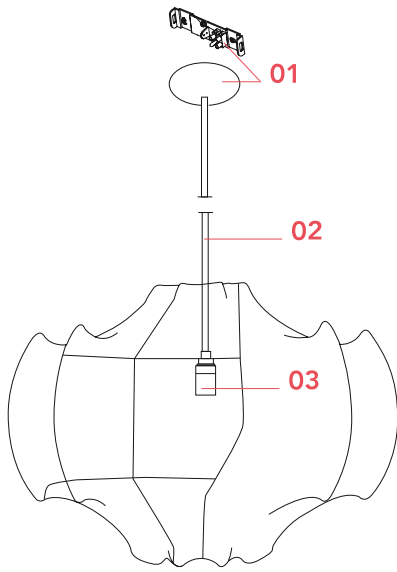


NOT INCLUDED

RF32289

LED Lamp E27 15W 3000K T38

## Spare Parts



01. White rose assembly

RA3690209

03. Electrical assembly set

RF9800200

**DOWNLOAD**



RA3690209

White rose assembly



RF9800200

Electrical assembly set