

# UNTITLED TABLE/WALL SPOT

*Bernhard Osann*

A definitive synthesis of mechanics and lighting technology, this design is clean and essential, with miniaturized joints that allow for extreme flexibility of movement. The Linear version has been designed explicitly with optics to ensure maximum visual comfort in work environments.



2700K

### LAMPING

Source	LED spot
Total power	6,5W
Emission	direct
Switching	dimmable on board
Tension	110-240V
Color temperature	2700K
Luminous flux	395lm
Typ CRI	90
IP class	20
Materials	aluminum, technopolymer
Notes	Cable length 2m, 40° optic 155° joint rotation. Accessories (base, desk clamp, wall fixing) sold separately
Accessories	Desk clamp,   Table base,   Wall fixing,
Net lamp weight	1 kg

### Codes

UNT LNN 12

### Structure

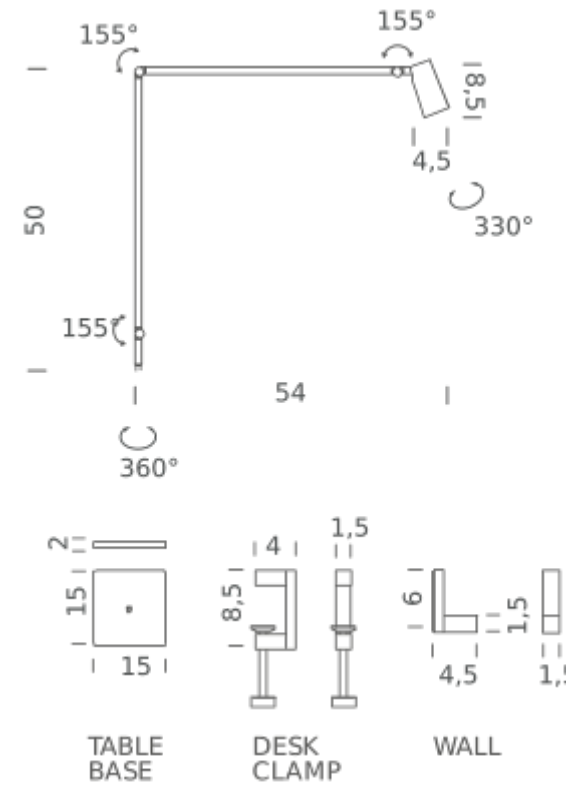
black

### PACKAGE

Package 01

Dimension: 56x46x10 cm / Gross weight: 1,5 kg

### Certificazioni



3000K

### LAMPING

Source	LED spot
Total power	6,5W
Emission	direct
Switching	dimmable on board
Tension	110-240V
Color temperature	3000K
Luminous flux	395lm
Typ CRI	90
IP class	20
Materials	aluminum, technopolymer
Notes	Cable length 2m, 40° optic 155° joint rotation. Accessories (base, desk clamp, wall fixing) sold separately
Accessories	Desk clamp,   Table base,   Wall fixing,
Net lamp weight	1 kg

### Codes

UNT LNN 14

### Structure

black

### PACKAGE

Package 01

Dimension: 56x46x10 cm / Gross weight: 1,5 kg

### Certificazioni

