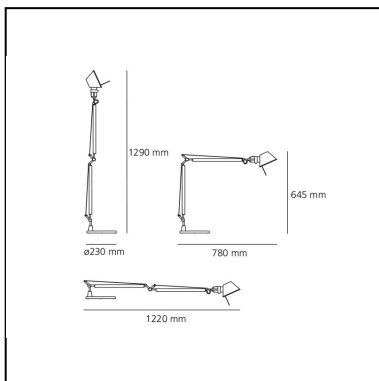


Tolomeo table LED 2700K - Body Lamp

Michele De Lucchi
Giancarlo Fassina



IP20   



LUMINAIRE

- Watt: **8W**
- Voltage: **24V**
- Delivered lumen output: **737lm**
- CCT: **2700K**
- Efficiency: **73%**
- Efficacy: **92.08lm/W**
- CRI: **90**
- Dimmer Typology: **Microswitch Dimmer**

Notes

Interchangeable support: table base, clamp, desk fixed support and twin support that allows two independent lamp units to be fitted. Complete lamp consists of body lamp + accessories

DESCRIPTION

Using Led technology, the attention must be focused not only on energy consumption and light efficiency, but above all on the quality and quantity of the distribution of the light. In fact the advantage of the Led is that it emits 100% light flow into the direct hemisphere, eliminating dispersion and waste in other directions. This means that in order to obtain illuminance of 1250 lux on the work surface, with an incandescent light source a power of 100W is necessary, while with a Led source 10W is sufficient, with a 90% energy saving. Base and cantilevered arms in polished aluminium; diffuser in matt anodised aluminium; joints and supports in polished aluminium. System of spring balancing. 5 direct Led. The code refers to the luminaire's body only

FEATURES

- Product Code: **A0048W00**
- Colour: **Aluminium**
- Installation: **Table**
- Material: **aluminium, steel**
- Series: **Design Collection**
- design by: **Michele De Lucchi, Giancarlo Fassina**

DIMENSIONS

- Length: **780 mm**
- Height: **645 mm**
- Base Diameter: **230 mm**
- Max Extension Height: **1290 mm**
- Max Extension Length: **1220 mm**
- Impact Resistance: **N/D**
- Glow Wire Test: **N/D°**

SOURCES INCLUDED

- Category: **Led**
- Number: **1**
- Watt: **5,5W**
- Color temperature (K): **2700K**
- CRI: **90**

Accessories



Table clamp aluminium A004100



Table base ø cm. 23 - Aluminium A004030



Desk fixed support aluminium A004200

Tolomeo table LED 3000K - Body Lamp

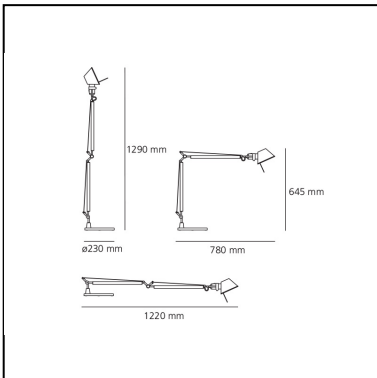
Michele De Lucchi
Giancarlo Fassina



DESCRIPTION

Using Led technology, the attention must be focused not only on energy consumption and light efficiency, but above all on the quality and quantity of the distribution of the light. In fact the advantage of the Led is that it emits 100% light flow into the direct hemisphere, eliminating dispersion and waste in other directions. This means that in order to obtain illuminance of 1250 lux on the work surface, with an incandescent light source a power of 100W is necessary, while with a Led source 10W is sufficient, with a 90% energy saving. Base and cantilevered arms in polished aluminium; diffuser in matt anodised aluminium; joints and supports in polished aluminium. System of spring balancing. 5 direct Led. The code refers to the luminaire's body only

IP20   



LUMINAIRE

- Watt: **8W**
- Voltage: **24V**
- Delivered lumen output: **761lm**
- CCT: **3000K**
- Efficiency: **100%**
- Efficacy: **95.10lm/W**
- CRI: **90**
- Dimmer Typology: **Microswitch Dimmer**

Notes

Interchangeable support: table base, clamp, desk fixed support and twin support that allows two independent lamp units to be fitted. Complete lamp consists of body lamp + accessories

FEATURES

- Product Code: **A004800**
- Colour: **Aluminium**
- Installation: **Table**
- Material: **aluminium, steel**
- Series: **Design Collection**
- design by: **Michele De Lucchi, Giancarlo Fassina**

DIMENSIONS

- Length: **780 mm**
- Height: **645 mm**
- Base Diameter: **230 mm**
- Max Extension Height: **1290 mm**
- Max Extension Length: **1220 mm**
- Glow Wire Test: **750°**

SOURCES INCLUDED

- Category: **Led**
- Number: **1**
- Watt: **10W**
- Color temperature (K): **3000 K**

Accessories



Table clamp aluminium A004100



Table base ø cm. 23 - Aluminium A004030



Desk fixed support aluminium A004200

Tolomeo table LED TW - Body Lamp

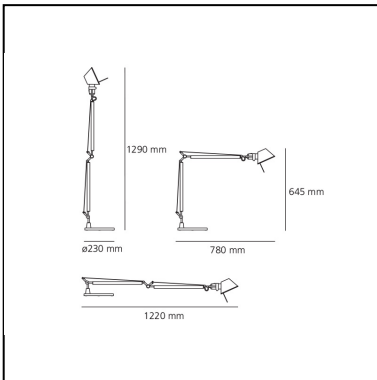
Michele De Lucchi
Giancarlo Fassina



DESCRIPTION

Tolomeo Tunable White combines the advantages of LED technology with those of Tunable White technology, enabling numerous variations of white light to be obtained, with different intensities and varieties of colour temperature, with a range from 2200K (warm light) to 6500K (cold light).

IP20    **TW**



FEATURES

- Product Code: **1530050A**
- Colour: **Aluminium**
- Installation: **Table**
- Material: **aluminium, steel**
- Series: **Design Collection**
- design by: **Michele De Lucchi, Giancarlo Fassina**

DIMENSIONS

- Length: **780 mm**
- Height: **645 mm**
- Base Diameter: **230 mm**
- Max Extension Height: **1290 mm**
- Max Extension Length: **1220 mm**
- Glow Wire Test: **750°**

SOURCES INCLUDED

- Category: **Led TW**
- Number: **1**
- Color temperature (K): **2200-6500K**

LUMINAIRE

- Watt: **11W**
- Voltage: **24V**
- Delivered lumen output: **560 - 716lm**
- CCT: **2200-6500K**
- Efficiency: **70%**
- Efficacy: **65.10lm/W**
- CRI: **90**
- Dimmer Typology: **Microswitch Dimmer**

Notes

Interchangeable support: table base, clamp, desk fixed support and twin support that allows two independent lamp units to be fitted. Complete lamp consists of body lamp + accessories

Accessories



Table clamp aluminium A004100



Table base ø cm. 23 - Aluminium A004030



Desk fixed support aluminium A004200