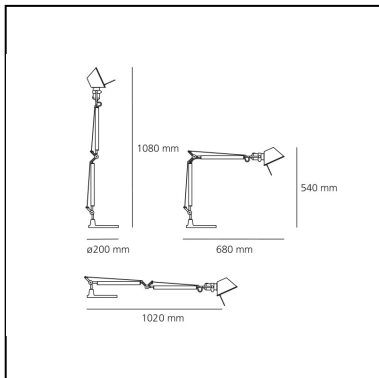


Tolomeo Mini Table LED 2700K - Body Lamp

Michele De Lucchi
Giancarlo Fassina



IP20   



LUMINAIRE

- Watt: **8W**
- Voltage: **24V**
- Delivered lumen output: **737lm**
- CCT: **2700K**
- Efficiency: **73%**
- Efficacy: **92.08lm/W**
- CRI: **90**
- Dimmer Typology: **Microswitch Dimmer**

Notes

Interchangeable support: table base, clamp, desk fixed support and twin support that allows two independent lamp units to be fitted. Complete lamp consists of body lamp + accessories

DESCRIPTION

Using Led technology, the attention must be focused not only on energy consumption and light efficiency, but above all on the quality and quantity of the distribution of the light. In fact the advantage of the Led is that it emits 100% light flow into the direct hemisphere, eliminating dispersion and waste in other directions. This means that in order to obtain illuminance of 1250 lux on the work surface, with an incandescent light source a power of 100W is necessary, while with a Led source 10W is sufficient, with a 90% energy saving. Base and cantilevered arms in polished aluminium; diffuser in matt anodised aluminium; joints and supports in polished aluminium. System of spring balancing. 5 direct Led. The code is referred to the body lamp only

FEATURES

- Product Code: **A0056W00**
- Colour: **Aluminium**
- Installation: **Table**
- Material: **aluminium, steel**
- Series: **Design Collection**
- design by: **Michele De Lucchi, Giancarlo Fassina**

DIMENSIONS

- Length: **680 mm**
- Height: **540 mm**
- Base Diameter: **200 mm**
- Max Extension Height: **1080 mm**
- Max Extension Length: **1020 mm**
- Impact Resistance: **N/D**
- Glow Wire Test: **N/D°**

SOURCES INCLUDED

- Category: **Led**
- Number: **1**
- Watt: **5,5W**
- Color temperature (K): **2700K**
- CRI: **90**

Accessories



Table clamp aluminium A004100



Table base ø cm. 20 - Aluminium A008600



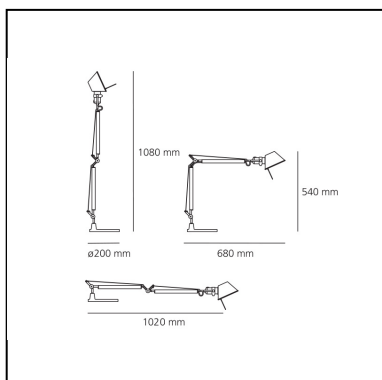
Desk fixed support aluminium A004200

Tolomeo Mini Table LED 3000K - Body Lamp

Michele De Lucchi
Giancarlo Fassina



IP20   



LUMINAIRE

- Watt: **8W**
- Voltage: **24V**
- Delivered lumen output: **761lm**
- CCT: **3000K**
- Efficiency: **100%**
- Efficacy: **95.10lm/W**
- CRI: **90**
- Dimmer Typology: **Microswitch Dimmer**

Notes

Interchangeable support: table base, clamp, desk fixed support and twin support that allows two independent lamp units to be fitted. Complete lamp consists of body lamp + accessories

DESCRIPTION

Using Led technology, the attention must be focused not only on energy consumption and light efficiency, but above all on the quality and quantity of the distribution of the light. In fact the advantage of the Led is that it emits 100% light flow into the direct hemisphere, eliminating dispersion and waste in other directions. This means that in order to obtain illuminance of 1250 lux on the work surface, with an incandescent light source a power of 100W is necessary, while with a Led source 10W is sufficient, with a 90% energy saving. Base and cantilevered arms in polished aluminium; diffuser in matt anodised aluminium; joints and supports in polished aluminium. System of spring balancing. 5 direct Led. The code is referred to the body lamp only

FEATURES

- Product Code: **A005600**
- Colour: **Aluminium**
- Installation: **Table**
- Material: **aluminium, steel**
- Series: **Design Collection**
- design by: **Michele De Lucchi, Giancarlo Fassina**

DIMENSIONS

- Length: **680 mm**
- Height: **540 mm**
- Base Diameter: **200 mm**
- Max Extension Height: **1080 mm**
- Max Extension Length: **1020 mm**
- Impact Resistance: **N/D**
- Glow Wire Test: **N/D°**

SOURCES INCLUDED

- Category: **Led**
- Number: **1**
- Watt: **10W**
- Color temperature (K): **3000 K**

Accessories



Table clamp aluminium A004100



Table base ø cm. 20 - Aluminium A008600



Desk fixed support aluminium A004200