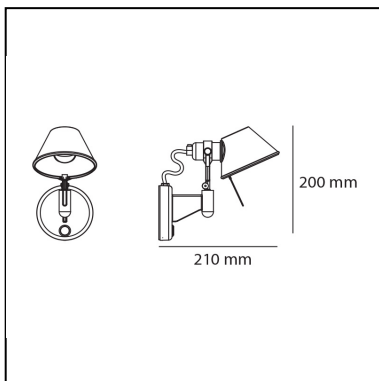


# Tolomeo Micro Faretto - without switch

Michele De Lucchi  
Giancarlo Fassina



IP20   **EAC** 



## LUMINAIRE

- Watt: **5W**
- Voltage: **220V-240V**
- Delivered lumen output: **267lm**
- Efficiency: **57%**
- Efficacy: **53.33lm/W**
- CRI: **80**

## Notes

Possibility to mount LED source on E14 Socket

## DESCRIPTION

Wall support in polished aluminium; diffuser in matt anodised aluminium.

## FEATURES

- Product Code: **A010750**
- Colour: **Aluminium**
- Installation: **Wall**
- Material: **Aluminium**
- Series: **Design Collection**
- design by: **Michele De Lucchi, Giancarlo Fassina**

## DIMENSIONS

- Height: **200 mm**
- Depth: **200 mm**

## SOURCES NOT INCLUDED

- Category: **LED RETROFIT**
- Number: **1**
- Watt: **6W**
- Socket: **E14**

# Tolomeo Micro Faretto - with switch

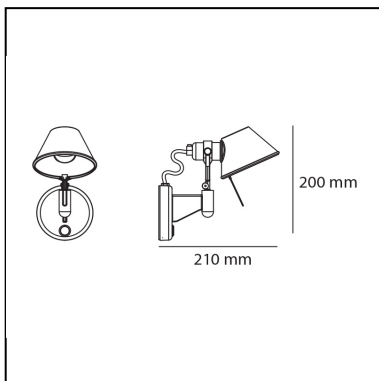
Michele De Lucchi  
Giancarlo Fassina



## DESCRIPTION

Wall support in polished aluminium; diffuser in matt anodised aluminium.

IP20   **EAC** 



## FEATURES

- Product Code: **A044050**
- Colour: **Aluminium**
- Installation: **Wall**
- Material: **Aluminium**
- Series: **Design Collection**
- design by: **Michele De Lucchi, Giancarlo Fassina**

## DIMENSIONS

- Height: **200 mm**
- Depth: **200 mm**

## SOURCES NOT INCLUDED

- Category: **LED RETROFIT**
- Number: **1**
- Watt: **6W**
- Socket: **E14**

## LUMINAIRE

- Watt: **5W**
- Voltage: **220V-240V**
- Delivered lumen output: **267lm**
- Efficiency: **57%**
- Efficacy: **53.33lm/W**
- CRI: **80**

## Notes

Possibility to mount LED source on E14 Socket