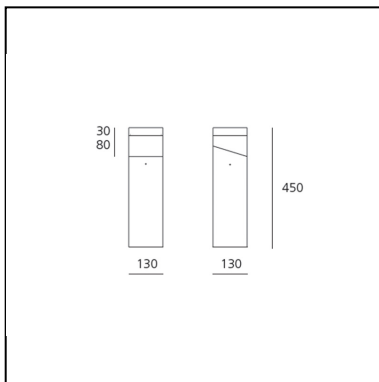


Tetragono Floor 45 - 3000K

Ernesto Gismondi



IP65  



LUMINAIRE

- Watt: **15W**
- Voltage: **220V-240V**
- Delivered lumen output: **481lm**
- CCT: **3000K**
- Efficiency: **34%**
- Efficacy: **32.07lm/W**
- CRI: **90**

DESCRIPTION

Consists of lamp and supporting pole. Lamp support in extruded EN-AW-6060 aluminium, subjected to chromate treatment and painted, height 900mm, with painted steel base flange, with holes for floor installation by means of log bolts or dowels. Lighting unit in die-cast EN-AB 47100 aluminium painted with 3-stage outdoor treatment: nanotechnologies, anti-oxidizing primer, polyester paint. Provided with metalized polycarbonate reflectors. UV resistant diffuser in shock resistant polycarbonate with bright finish. AISI 316 fixing screws and silicone gaskets. Provided with cable and IP67 connector for the connection to the mains suitable for 5-13.5mm diameter cables. IP Rating IP65. Insulation class I. Technical features in compliance with EN60598-1.

FEATURES

- Product Code: **T417100W00**
- Colour: **Grey antracite**
- Installation: **Floor**
- Material: **Aluminum, polycarbonate**
- Series: **Architectural Outdoor**
- design by: **Ernesto Gismondi**

DIMENSIONS

- Length: **130 mm**
- Width: **130 mm**
- Height: **450 mm**
- Impact Resistance: **IK10**
- Glow Wire Test: **650°**

SOURCES INCLUDED

- Category: **Led**
- Number: **1**
- Watt: **15W**
- Delivered lumen output: **1375lm**
- Color temperature (K): **3000K**
- CRI: **80 typ**
- Color Tolerance: **2SDCM**
- Efficacy: **106lm/W**
- Service Life: **L70(6K)>36,300h**


Tetragono Floor 90 - 3000K

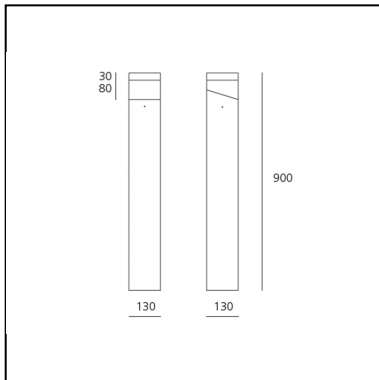
Ernesto Gismondi



DESCRIPTION

Consists of lamp and supporting pole. Lamp support in extruded EN-AW-6060 aluminium, subjected to chromate treatment and painted, height 900mm, with painted steel base flange, with holes for floor installation by means of log bolts or dowels. Lighting unit in die-cast EN-AB 47100 aluminium painted with 3-stage outdoor treatment: nanotechnologies, anti-oxidizing primer, polyester paint. Provided with metalized polycarbonate reflectors. UV resistant diffuser in shock resistant polycarbonate with bright finish. AISI 316 fixing screws and silicone gaskets. Provided with cable and IP67 connector for the connection to the mains suitable for 5-13.5mm diameter cables. IP Rating IP65. Insulation class I. Technical features in compliance with EN60598-1.

IP65 



FEATURES

- Product Code: **T417200W00**
- Colour: **Grey antracite**
- Installation: **Floor**
- Material: **Aluminum, polycarbonate**
- Series: **Architectural Outdoor**
- design by: **Ernesto Gismondi**

DIMENSIONS

- Length: **130 mm**
- Width: **130 mm**
- Height: **900 mm**
- Impact Resistance: **IK10**
- Glow Wire Test: **650°**

SOURCES INCLUDED

- Category: **Led**
- Number: **1**
- Watt: **15W**
- Delivered lumen output: **1375lm**
- Color temperature (K): **3000K**
- CRI: **80 typ**
- Color Tolerance: **2SDCM**
- Efficacy: **106lm/W**
- Service Life: **L70(6K)>36,300h**

LUMINAIRE

- Watt: **15W**
- Voltage: **220V-240V**
- Delivered lumen output: **481lm**
- CCT: **3000K**
- Efficiency: **34%**
- Efficacy: **32.07lm/W**
- CRI: **90**