

FLOS

■ F3305030 Black

Kelvin Led Floor

Designed by Antonio Citterio/assistant Toan Nguyen, Antonio Citterio, 2011

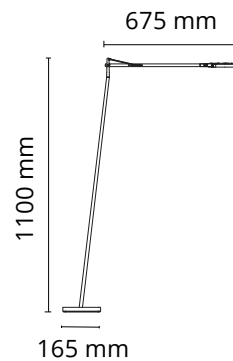


8W - 285lm - 2700K

Floor lamp. Head in pressofused aluminium, diffuser in PC. Power pack on plug, base cover in injection printed PC, counterweight in iron cut and painted by means of a cathoporesic process. Directionable head. Three-step ON/OFF switch with Soft Touch technology. Base separated from the lamp body with safety locking pin.

Are you a professional and your project needs consulting and support?

[BOOK AN APPOINTMENT](#)



Main specifications

EAN	8059607003817
Mounting	Floor
Environments	Indoor dry location
Light Source Type	LED
LED type	LED Module
Power (W)	8
System flux (lm)	285

Physical

Colour	Black
Cord length (mm)	1500
Net weight (kg)	3.8
Package volume (m3)	0.04
IP internal	20

Download

Mounting instructions	↓ PDF
Mounting instructions	↓ PDF
Spare Parts	↓ PDF

Photometric Files

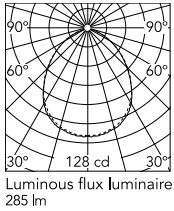
LDT / IES	↓ LDT
-----------	-----------------------

Technical Drawings

2D	↓ ZIP
3D	↓ ZIP



Schematic light drawing



Photometric

Lighting type	Direct
Light distribution	Symmetric
CCT (K)	2700

Electrical

Insulation class	III
Frequency (Hz)	50/60
Main voltage (Vac)	100-240/24
LED voltage Vf (Vdc)	null
Driver	Remote included
Dimmable	Yes
Dimming type	Electronic 24V
Dimming interface	Dimmer Integrated
Plug type	Type G, Type A, Type C
Batteries inside	No
Charging min time	No

Ecodesign and Energy Labelling

This product contains a light source of energy efficiency class F

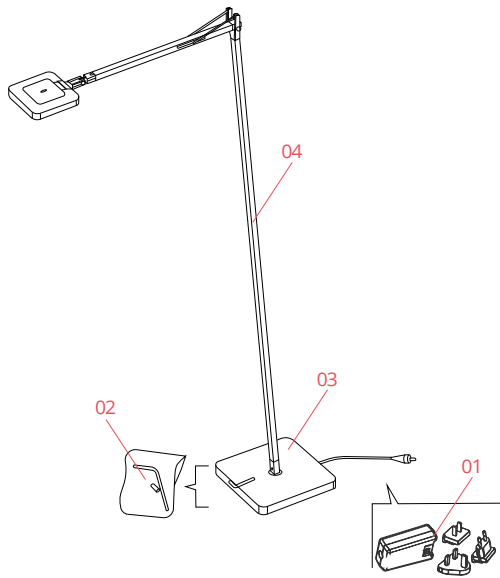


Replaceable (LED only) light source by a professional



Replaceable control gear by an end-user

Spare Parts



- | | | |
|-----|--------------------------------------|-----------|
| 01. | Black plug assembly kit & 24V driver | RF3320100 |
| 02. | Kit with screw and allen keys | RF3320300 |
| 03. | Kelvin led gm black base | F3322030A |
| 04. | Kelvin led F black body | F3306030B |

DOWNLOAD



RF3320100
Black plug assembly kit & 24V driver



RF3320300
Kit with screw and allen keys



F3322030A
Kelvin led gm black base



F3306030B
Kelvin led F black body