

# FLOS

F7764009 White

## Tatou Floor

Designed by Patricia Urquiola, 2012

Halogen - 205W



Diffused light floor lamp. External diffuser in Polycarbonate. Internal diffuser in injection-printed opal Polycarbonate. Support and base in painted steel.

Are you a professional and your project needs consulting and support?

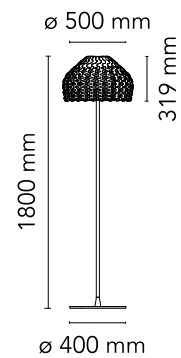
[BOOK AN APPOINTMENT](#)

### Main specifications

EAN	8059607007402
Mounting	Floor
Environments	Indoor dry location
Light Source Type	Bulb
Lamp category	Halogen
Lamp holders	E27
Ilcos	HSGS
Number of heads	1
Power (W)	205

### Physical

Colour	White
Cord length (mm)	1700
Net weight (kg)	16.4
Package volume (m3)	0.6
IP internal	20



### Download

[Mounting instructions](#) PDF

[Spare Parts](#) PDF

### Photometric Files

[LDT / IES](#) LDT

### Technical Drawings

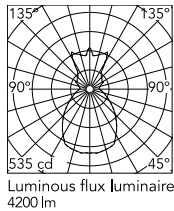
[2D](#) ZIP

[3D](#) ZIP



IP
20

## Schematic light drawing



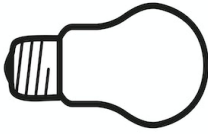
### Photometric

Lighting type	Indirect, Direct
Light distribution	Asymmetric

### Electrical

Insulation class	II
Frequency (Hz)	50/60
Main voltage (Vac)	220-240
LED voltage Vf (Vdc)	null
Dimmable	Yes
Dimming interface	Dimmer Integrated
Plug type	Type C
Batteries inside	No
Charging min time	No

## Bulbs



NOT INCLUDED

RF26998

LED 21W E27 2450lm 3000K  
DIMMER

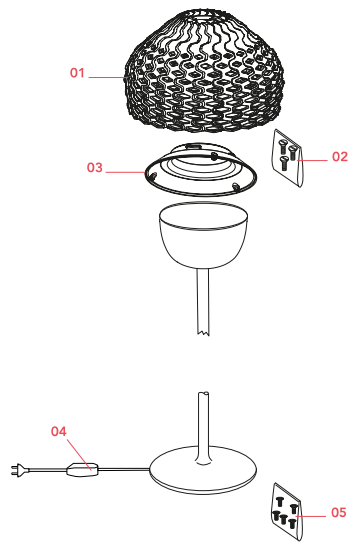


NOT INCLUDED

RF30429

LED Opal Lamp E27 21W 2700K  
A65 Dimmable

## Spare Parts



- |     |  |           |
|-----|--|-----------|
| 01. | F-S2 white assembly diffuser                     | F7755009  |
| 02. | Kit with screws for f-s2 opal reflector assembly | RF7755100 |
| 03. | F-S2 reflector assembly                          | RF7755200 |
| 05. | Kit of 5 white feed pads for base                | RF3020100 |

**DOWNLOAD**



F7755009

F-S2 white assembly diffuser



RF7755100

Kit with screws for f-s2 opal reflector assembly



RF7755200

F-S2 reflector assembly



RF3020100

Kit of 5 white feed pads for base