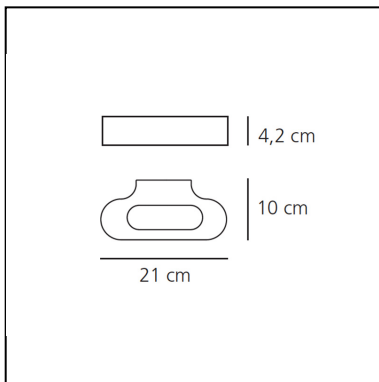


# Talo Wall - 3000K - Black

Neil Poulton



IP20     Dimmerable: 



## LUMINAIRE

- Watt: **20W**
- Voltage: **220-240V**
- Delivered lumen output: **1991lm**
- CCT: **3000K**
- Efficiency: **88%**
- Efficacy: **99.55lm/W**
- CRI: **90**
- Dimmable Typology: **Push**

## DESCRIPTION

Essential and functional, its geometric shape is designed to accommodate various light sources and LED circuits of various power ratings, extending to distribute diverse sources and the light emission and support various lighting requirements.

## FEATURES

- Product Code: **0615080A**
- Colour: **Black**
- Installation: **Wall**
- Material: **Aluminium, methacrylate, polycarbonate**
- Series: **Design Collection**
- Environment: **Indoor**
- Area contract: **Hospitality**
- Emission: **Direct/indirect**
- design by: **Neil Poulton**

## DIMENSIONS

- Length: **210 mm**
- Width: **100 mm**
- Height: **42 mm**
- Glow Wire Test: **750°C**

## SOURCES INCLUDED

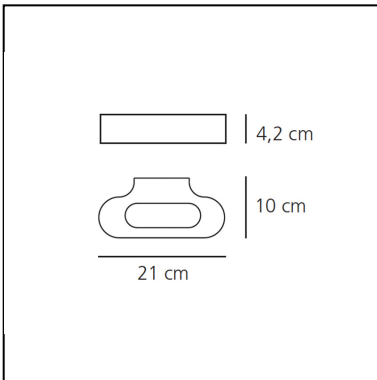
- Category: **Led**
- Number: **1**
- Watt: **20W**
- Delivered lumen output: **1500lm**
- Color temperature (K): **3000K**

# Talo Wall - 3000K - Polished chrome

Neil Poulton



IP20     Dimmerable: 



## LUMINAIRE

- Watt: **20W**
- Voltage: **220-240V**
- Delivered lumen output: **1991lm**
- CCT: **3000K**
- Efficiency: **88%**
- Efficacy: **99.55lm/W**
- CRI: **90**
- Dimmable Typology: **Push**

## DESCRIPTION

Essential and functional, its geometric shape is designed to accommodate various light sources and LED circuits of various power ratings, extending to distribute diverse sources and the light emission and support various lighting requirements.

## FEATURES

- Product Code: **0615030A**
- Colour: **Polished chrome**
- Installation: **Wall**
- Material: **Aluminium, methacrylate, polycarbonate**
- Series: **Design Collection**
- Environment: **Indoor**
- Area contract: **Hospitality**
- Emission: **Direct/indirect**
- design by: **Neil Poulton**

## DIMENSIONS

- Length: **210 mm**
- Width: **100 mm**
- Height: **42 mm**
- Glow Wire Test: **750°C**

## SOURCES INCLUDED

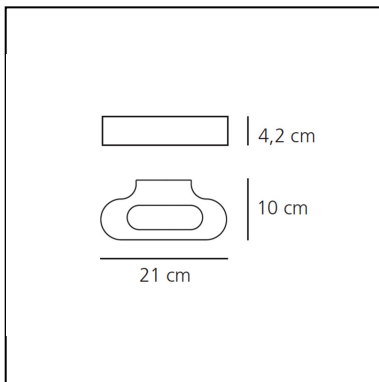
- Category: **Led**
- Number: **1**
- Watt: **20W**
- Delivered lumen output: **1500lm**
- Color temperature (K): **3000K**

# Talo Wall - 3000K - Silver

Neil Poulton



IP20     Dimmerable: 



## LUMINAIRE

- Watt: **20W**
- Voltage: **220-240V**
- Delivered lumen output: **1991lm**
- CCT: **3000K**
- Efficiency: **88%**
- Efficacy: **99.55lm/W**
- CRI: **90**
- Dimmable Typology: **Push**

## DESCRIPTION

Essential and functional, its geometric shape is designed to accommodate various light sources and LED circuits of various power ratings, extending to distribute diverse sources and the light emission and support various lighting requirements.

## FEATURES

- Product Code: **0615020A**
- Colour: **Silver**
- Installation: **Wall**
- Material: **Aluminium, methacrylate, polycarbonate**
- Series: **Design Collection**
- Environment: **Indoor**
- Area contract: **Hospitality**
- Emission: **Direct/indirect**
- design by: **Neil Poulton**

## DIMENSIONS

- Length: **210 mm**
- Width: **100 mm**
- Height: **42 mm**
- Glow Wire Test: **750°C**

## SOURCES INCLUDED

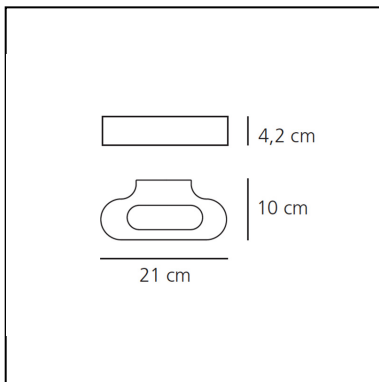
- Category: **Led**
- Number: **1**
- Watt: **20W**
- Delivered lumen output: **1500lm**
- Color temperature (K): **3000K**

# Talo Wall - 3000K - White

Neil Poulton



IP20     Dimmerable: 



## LUMINAIRE

- Watt: **20W**
- Voltage: **220-240V**
- Delivered lumen output: **1991lm**
- CCT: **3000K**
- Efficiency: **88%**
- Efficacy: **99.55lm/W**
- CRI: **90**
- Dimmable Typology: **Push**

## DESCRIPTION

Essential and functional, its geometric shape is designed to accommodate various light sources and LED circuits of various power ratings, extending to distribute diverse sources and the light emission and support various lighting requirements.

## FEATURES

- Product Code: **0615010A**
- Colour: **White**
- Installation: **Wall**
- Material: **Aluminium, methacrylate, polycarbonate**
- Series: **Design Collection**
- Environment: **Indoor**
- Area contract: **Hospitality**
- Emission: **Direct/indirect**
- design by: **Neil Poulton**

## DIMENSIONS

- Length: **210 mm**
- Width: **100 mm**
- Height: **42 mm**
- Glow Wire Test: **750°C**

## SOURCES INCLUDED

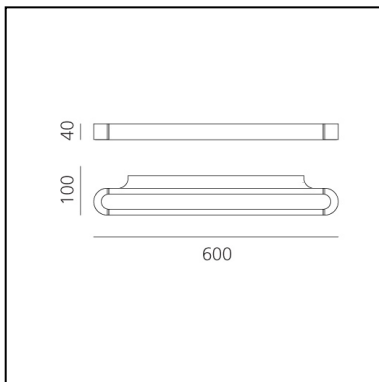
- Category: **Led**
- Number: **1**
- Watt: **20W**
- Delivered lumen output: **1500lm**
- Color temperature (K): **3000K**

# Talo Wall 60 - Dimmable - Black

Neil Poulton



IP20     Dimmerable: 



## LUMINAIRE

- Watt: **25W**
- Voltage: **220-240V**
- Delivered lumen output: **3071lm**
- CCT: **3000K**
- Efficiency: **81%**
- Efficacy: **122.84lm/W**
- CRI: **80**
- Dimmable Typology: **Push**

## DESCRIPTION

Essential and functional, its geometric shape is designed to accommodate various light sources and LED circuits of various power ratings, extending to distribute diverse sources and the light emission and support various lighting requirements.

## FEATURES

- Product Code: **1914080A**
- Colour: **Black**
- Installation: **Wall**
- Material: **Aluminium, methacrylate, polycarbonate**
- Series: **Design Collection**
- Environment: **Indoor**
- Area contract: **Hospitality**
- Emission: **Direct/indirect**
- design by: **Neil Poulton**

## DIMENSIONS

- Length: **600 mm**
- Width: **100 mm**
- Height: **40 mm**
- Glow Wire Test: **650°**

## SOURCES INCLUDED

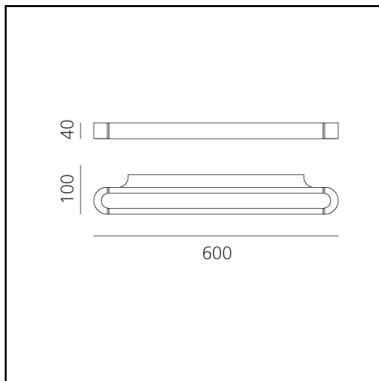
- Category: **Led**
- Number: **4**
- Watt: **5.78W**
- Delivered lumen output: **851lm**
- Color temperature (K): **3000K**
- CRI: **80**
- Color Tolerance: **MacAdam 3SDCM**
- Efficacy: **147lm/W**
- Service Life: **50000-L70**

# Talo Wall 60 - Dimmable - Polished chrome

Neil Poulton



IP20     Dimmerable: 



## LUMINAIRE

- Watt: **25W**
- Voltage: **220-240V**
- Delivered lumen output: **3071lm**
- CCT: **3000K**
- Efficiency: **81%**
- Efficacy: **122.84lm/W**
- CRI: **80**
- Dimmable Typology: **Push**

## DESCRIPTION

Essential and functional, its geometric shape is designed to accommodate various light sources and LED circuits of various power ratings, extending to distribute diverse sources and the light emission and support various lighting requirements.

## FEATURES

- Product Code: **1914050A**
- Colour: **Polished chrome**
- Installation: **Wall**
- Material: **Aluminium, methacrylate, polycarbonate**
- Series: **Design Collection**
- Environment: **Indoor**
- Area contract: **Hospitality**
- Emission: **Direct/indirect**
- design by: **Neil Poulton**

## DIMENSIONS

- Length: **600 mm**
- Width: **100 mm**
- Height: **40 mm**
- Glow Wire Test: **650°**

## SOURCES INCLUDED

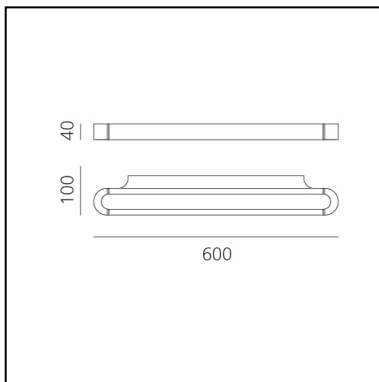
- Category: **Led**
- Number: **4**
- Watt: **5.78W**
- Delivered lumen output: **851lm**
- Color temperature (K): **3000K**
- CRI: **80**
- Color Tolerance: **MacAdam 3SDCM**
- Efficacy: **147lm/W**
- Service Life: **50000-L70**

# Talo Wall 60 - Dimmable - White

Neil Poulton



IP20     Dimmerable: 



## LUMINAIRE

- Watt: **25W**
- Voltage: **220-240V**
- Delivered lumen output: **3071lm**
- CCT: **3000K**
- Efficiency: **81%**
- Efficacy: **122.84lm/W**
- CRI: **80**
- Dimmable Typology: **Push**

## DESCRIPTION

Essential and functional, its geometric shape is designed to accommodate various light sources and LED circuits of various power ratings, extending to distribute diverse sources and the light emission and support various lighting requirements.

## FEATURES

- Product Code: **1914040A**
- Colour: **White**
- Installation: **Wall**
- Material: **Aluminium, methacrylate, polycarbonate**
- Series: **Design Collection**
- Environment: **Indoor**
- Area contract: **Hospitality**
- Emission: **Direct/indirect**
- design by: **Neil Poulton**

## DIMENSIONS

- Length: **600 mm**
- Width: **100 mm**
- Height: **40 mm**
- Glow Wire Test: **650°**

## SOURCES INCLUDED

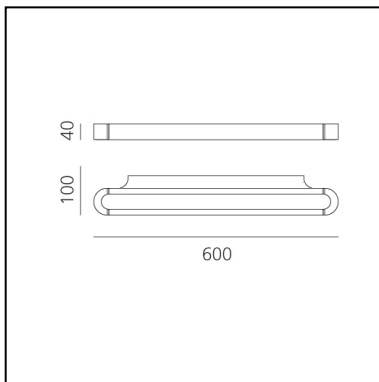
- Category: **Led**
- Number: **4**
- Watt: **5.78W**
- Delivered lumen output: **851lm**
- Color temperature (K): **3000K**
- CRI: **80**
- Color Tolerance: **MacAdam 3SDCM**
- Efficacy: **147lm/W**
- Service Life: **50000-L70**

# Talo Wall 60 - Undimmable - Black

Neil Poulton



IP20    



## LUMINAIRE

- Watt: **25W**
- Voltage: **220-240V**
- Delivered lumen output: **3071lm**
- CCT: **3000K**
- Efficiency: **81%**
- Efficacy: **122.84lm/W**
- CRI: **80**

## DESCRIPTION

Essential and functional, its geometric shape is designed to accommodate various light sources and LED circuits of various power ratings, extending to distribute diverse sources and the light emission and support various lighting requirements.

## FEATURES

- Product Code: **1913080A**
- Colour: **Black**
- Installation: **Wall**
- Material: **Aluminium, methacrylate, polycarbonate**
- Series: **Design Collection**
- Environment: **Indoor**
- Area contract: **Hospitality**
- Emission: **Direct/indirect**
- design by: **Neil Poulton**

## DIMENSIONS

- Length: **600 mm**
- Width: **100 mm**
- Height: **40 mm**
- Glow Wire Test: **650°**

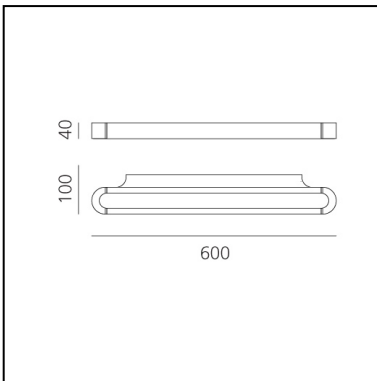
## SOURCES INCLUDED

- Category: **Led**
- Number: **4**
- Watt: **5.78W**
- Delivered lumen output: **851lm**
- Color temperature (K): **3000K**
- CRI: **80**
- Color Tolerance: **MacAdam 3SDCM**
- Efficacy: **147lm/W**
- Service Life: **50000-L70**



# Talo Wall 60 - Undimmable - Polished chrome

Neil Poulton



## LUMINAIRE

- Watt: **25W**
- Voltage: **220-240V**
- Delivered lumen output: **3071lm**
- CCT: **3000K**
- Efficiency: **81%**
- Efficacy: **122.84lm/W**
- CRI: **80**

## DESCRIPTION

Essential and functional, its geometric shape is designed to accommodate various light sources and LED circuits of various power ratings, extending to distribute diverse sources and the light emission and support various lighting requirements.

## FEATURES

- Product Code: **1913050A**
- Colour: **Polished chrome**
- Installation: **Wall**
- Material: **Aluminium, methacrylate, polycarbonate**
- Series: **Design Collection**
- Environment: **Indoor**
- Area contract: **Hospitality**
- Emission: **Direct/indirect**
- design by: **Neil Poulton**

## DIMENSIONS

- Length: **600 mm**
- Width: **100 mm**
- Height: **40 mm**
- Glow Wire Test: **650°**

## SOURCES INCLUDED

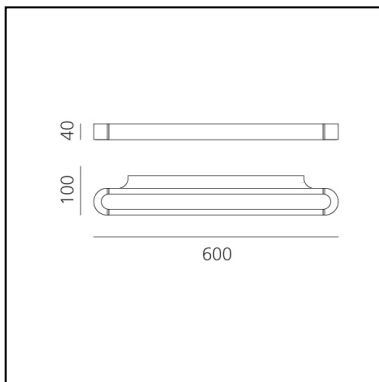
- Category: **Led**
- Number: **4**
- Watt: **5.78W**
- Delivered lumen output: **851lm**
- Color temperature (K): **3000K**
- CRI: **80**
- Color Tolerance: **MacAdam 3SDCM**
- Efficacy: **147lm/W**
- Service Life: **50000-L70**

# Talo Wall 60 - Undimmable - White

Neil Poulton



IP20    



## LUMINAIRE

- Watt: **25W**
- Voltage: **220-240V**
- Delivered lumen output: **3071lm**
- CCT: **3000K**
- Efficiency: **81%**
- Efficacy: **122.84lm/W**
- CRI: **80**

## DESCRIPTION

Essential and functional, its geometric shape is designed to accommodate various light sources and LED circuits of various power ratings, extending to distribute diverse sources and the light emission and support various lighting requirements.

## FEATURES

- Product Code: **1913040A**
- Colour: **White**
- Installation: **Wall**
- Material: **Aluminium, methacrylate, polycarbonate**
- Series: **Design Collection**
- Environment: **Indoor**
- Area contract: **Hospitality**
- Emission: **Direct/indirect**
- design by: **Neil Poulton**

## DIMENSIONS

- Length: **600 mm**
- Width: **100 mm**
- Height: **40 mm**
- Glow Wire Test: **650°**

## SOURCES INCLUDED

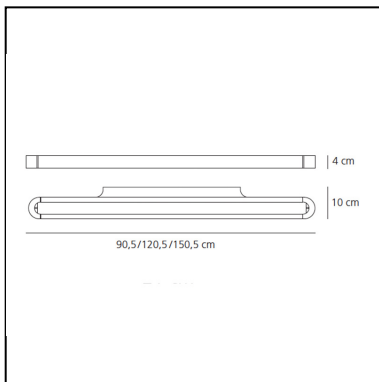
- Category: **Led**
- Number: **4**
- Watt: **5.78W**
- Delivered lumen output: **851lm**
- Color temperature (K): **3000K**
- CRI: **80**
- Color Tolerance: **MacAdam 3SDCM**
- Efficacy: **147lm/W**
- Service Life: **50000-L70**

# Talo Wall 90 - Dimmable - Black

Neil Poulton



IP20     Dimmerable: 



## LUMINAIRE

- Watt: **32W**
- Voltage: **220-240V**
- Delivered lumen output: **3840lm**
- CCT: **3000K**
- Efficiency: **79%**
- Efficacy: **120.00lm/W**
- CRI: **80**
- Dimmable Typology: **Push**

## DESCRIPTION

Essential and functional, its geometric shape is designed to accommodate various light sources and LED circuits of various power ratings, extending to distribute diverse sources and the light emission and support various lighting requirements.

## FEATURES

- Product Code: **1916080A**
- Colour: **Black**
- Installation: **Wall**
- Material: **Aluminium, methacrylate, polycarbonate**
- Series: **Design Collection**
- Environment: **Indoor**
- Area contract: **Hospitality**
- Emission: **Direct/indirect**
- design by: **Neil Poulton**

## DIMENSIONS

- Length: **900 mm**
- Width: **100 mm**
- Height: **40 mm**
- Glow Wire Test: **750°C**

## SOURCES INCLUDED

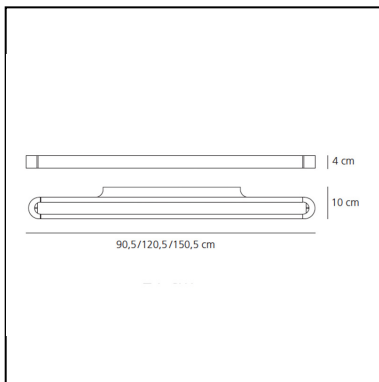
- Category: **Led**
- Number: **5**
- Watt: **6W**
- Delivered lumen output: **909lm**
- Color temperature (K): **3000K**
- CRI: **80**
- Color Tolerance: **MacAdam 3SDCM**
- Efficacy: **152lm/W**
- Service Life: **50000-L70**

# Talo Wall 90 - Dimmable - Silver

Neil Poulton



IP20     Dimmerable: 



## LUMINAIRE

- Watt: **32W**
- Voltage: **220-240V**
- Delivered lumen output: **3840lm**
- CCT: **3000K**
- Efficiency: **79%**
- Efficacy: **120.00lm/W**
- CRI: **80**
- Dimmable Typology: **Push**

## DESCRIPTION

Essential and functional, its geometric shape is designed to accommodate various light sources and LED circuits of various power ratings, extending to distribute diverse sources and the light emission and support various lighting requirements.

## FEATURES

- Product Code: **1916020A**
- Colour: **Silver**
- Installation: **Wall**
- Material: **Aluminium, methacrylate, polycarbonate**
- Series: **Design Collection**
- Environment: **Indoor**
- Area contract: **Hospitality**
- Emission: **Direct/indirect**
- design by: **Neil Poulton**

## DIMENSIONS

- Length: **900 mm**
- Width: **100 mm**
- Height: **40 mm**
- Glow Wire Test: **750°C**

## SOURCES INCLUDED

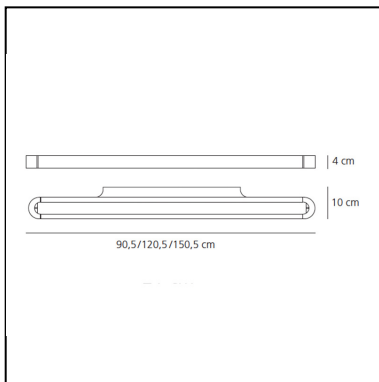
- Category: **Led**
- Number: **5**
- Watt: **6W**
- Delivered lumen output: **909lm**
- Color temperature (K): **3000K**
- CRI: **80**
- Color Tolerance: **MacAdam 3SDCM**
- Efficacy: **152lm/W**
- Service Life: **50000-L70**

# Talo Wall 90 - Dimmable - White

Neil Poulton



IP20     Dimmerable: 



## LUMINAIRE

- Watt: **32W**
- Voltage: **220-240V**
- Delivered lumen output: **3840lm**
- CCT: **3000K**
- Efficiency: **79%**
- Efficacy: **120.00lm/W**
- CRI: **80**
- Dimmable Typology: **Push**

## DESCRIPTION

Essential and functional, its geometric shape is designed to accommodate various light sources and LED circuits of various power ratings, extending to distribute diverse sources and the light emission and support various lighting requirements.

## FEATURES

- Product Code: **1916010A**
- Colour: **White**
- Installation: **Wall**
- Material: **Aluminium, methacrylate, polycarbonate**
- Series: **Design Collection**
- Environment: **Indoor**
- Area contract: **Hospitality**
- Emission: **Direct/indirect**
- design by: **Neil Poulton**

## DIMENSIONS

- Length: **900 mm**
- Width: **100 mm**
- Height: **40 mm**
- Glow Wire Test: **750°C**

## SOURCES INCLUDED

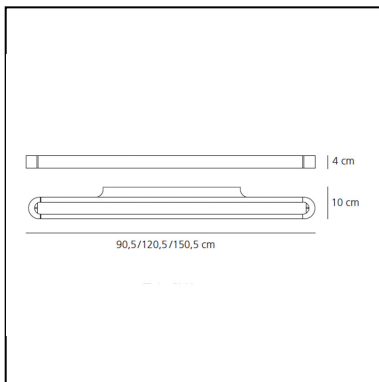
- Category: **Led**
- Number: **5**
- Watt: **6W**
- Delivered lumen output: **909lm**
- Color temperature (K): **3000K**
- CRI: **80**
- Color Tolerance: **MacAdam 3SDCM**
- Efficacy: **152lm/W**
- Service Life: **50000-L70**

# Talo Wall 90 - Undimmable - Black

Neil Poulton



IP20    



## LUMINAIRE

- Watt: **32W**
- Voltage: **220-240V**
- Delivered lumen output: **3840lm**
- CCT: **3000K**
- Efficiency: **79%**
- Efficacy: **120.00lm/W**
- CRI: **80**

## DESCRIPTION

Essential and functional, its geometric shape is designed to accommodate various light sources and LED circuits of various power ratings, extending to distribute diverse sources and the light emission and support various lighting requirements.

## FEATURES

- Product Code: **1915080A**
- Colour: **Black**
- Installation: **Wall**
- Material: **Aluminium, methacrylate, polycarbonate**
- Series: **Design Collection**
- Environment: **Indoor**
- Area contract: **Hospitality**
- Emission: **Direct/indirect**
- design by: **Neil Poulton**

## DIMENSIONS

- Length: **900 mm**
- Width: **100 mm**
- Height: **40 mm**
- Glow Wire Test: **650°**

## SOURCES INCLUDED

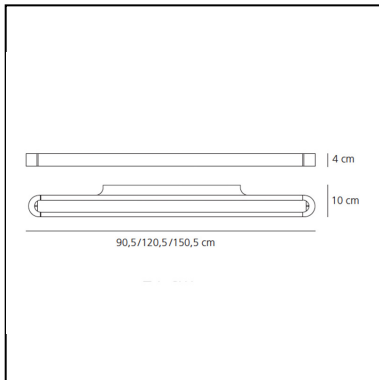
- Category: **Led**
- Number: **5**
- Watt: **6W**
- Delivered lumen output: **909lm**
- Color temperature (K): **3000K**
- CRI: **80**
- Color Tolerance: **MacAdam 3SDCM**
- Efficacy: **152lm/W**
- Service Life: **50000-L70**

# Talo Wall 90 - Undimmable - Silver

Neil Poulton



IP20    



## LUMINAIRE

- Watt: **32W**
- Voltage: **220-240V**
- Delivered lumen output: **3840lm**
- CCT: **3000K**
- Efficiency: **79%**
- Efficacy: **120.00lm/W**
- CRI: **80**

## DESCRIPTION

Essential and functional, its geometric shape is designed to accommodate various light sources and LED circuits of various power ratings, extending to distribute diverse sources and the light emission and support various lighting requirements.

## FEATURES

- Product Code: **1915020A**
- Colour: **Silver**
- Installation: **Wall**
- Material: **Aluminium, methacrylate, polycarbonate**
- Series: **Design Collection**
- Environment: **Indoor**
- Area contract: **Hospitality**
- Emission: **Direct/indirect**
- design by: **Neil Poulton**

## DIMENSIONS

- Length: **900 mm**
- Width: **100 mm**
- Height: **40 mm**
- Glow Wire Test: **650°**

## SOURCES INCLUDED

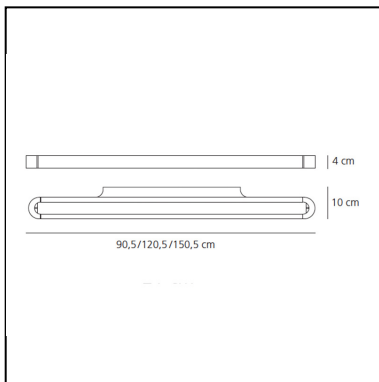
- Category: **Led**
- Number: **5**
- Watt: **6W**
- Delivered lumen output: **909lm**
- Color temperature (K): **3000K**
- CRI: **80**
- Color Tolerance: **MacAdam 3SDCM**
- Efficacy: **152lm/W**
- Service Life: **50000-L70**

# Talo Wall 90 - Undimmable - White

Neil Poulton



IP20    



## LUMINAIRE

- Watt: **32W**
- Voltage: **220-240V**
- Delivered lumen output: **3840lm**
- CCT: **3000K**
- Efficiency: **79%**
- Efficacy: **120.00lm/W**
- CRI: **80**

## DESCRIPTION

Essential and functional, its geometric shape is designed to accommodate various light sources and LED circuits of various power ratings, extending to distribute diverse sources and the light emission and support various lighting requirements.

## FEATURES

- Product Code: **1915010A**
- Colour: **White**
- Installation: **Wall**
- Material: **Aluminium, methacrylate, polycarbonate**
- Series: **Design Collection**
- Environment: **Indoor**
- Area contract: **Hospitality**
- Emission: **Direct/indirect**
- design by: **Neil Poulton**

## DIMENSIONS

- Length: **900 mm**
- Width: **100 mm**
- Height: **40 mm**
- Glow Wire Test: **650°**

## SOURCES INCLUDED

- Category: **Led**
- Number: **5**
- Watt: **6W**
- Delivered lumen output: **909lm**
- Color temperature (K): **3000K**
- CRI: **80**
- Color Tolerance: **MacAdam 3SDCM**
- Efficacy: **152lm/W**
- Service Life: **50000-L70**

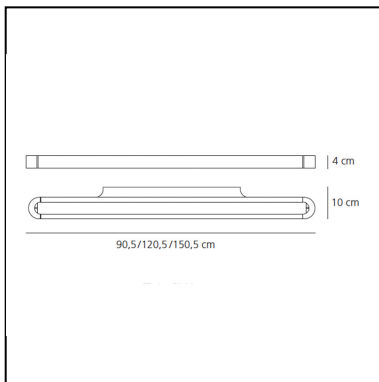


# Talo Wall 120 - Dimmable - Black

Neil Poulton



IP20     Dimmerable: 



## LUMINAIRE

- Watt: **51W**
- Voltage: **220-240V**
- Delivered lumen output: **6020lm**
- CCT: **3000K**
- Efficiency: **80%**
- Efficacy: **118.05lm/W**
- CRI: **80**
- Dimmable Typology: **Push**

## DESCRIPTION

Essential and functional, its geometric shape is designed to accommodate various light sources and LED circuits of various power ratings, extending to distribute diverse sources and the light emission and support various lighting requirements.

## FEATURES

- Product Code: **1918080A**
- Colour: **Black**
- Installation: **Wall**
- Material: **Aluminium, methacrylate, polycarbonate**
- Series: **Design Collection**
- Environment: **Indoor**
- Area contract: **Hospitality**
- Emission: **Direct/indirect**
- design by: **Neil Poulton**

## DIMENSIONS

- Length: **1200 mm**
- Width: **100 mm**
- Height: **40 mm**
- Glow Wire Test: **750°C**

## SOURCES INCLUDED

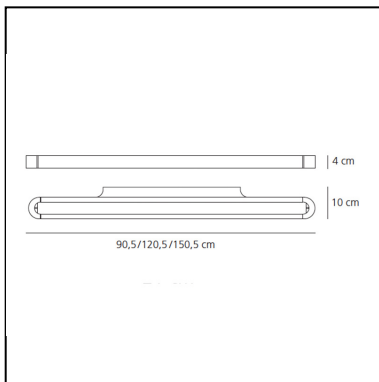
- Category: **Led**
- Number: **7**
- Watt: **6.72W**
- Delivered lumen output: **1014lm**
- Color temperature (K): **3000K**
- CRI: **80**
- Color Tolerance: **MacAdam 3SDCM**
- Efficacy: **151lm/W**
- Service Life: **50000-L70**

# Talo Wall 120 - Dimmable - Silver

Neil Poulton



IP20     Dimmerable: 



## LUMINAIRE

- Watt: **51W**
- Voltage: **220-240V**
- Delivered lumen output: **6020lm**
- CCT: **3000K**
- Efficiency: **80%**
- Efficacy: **118.05lm/W**
- CRI: **80**
- Dimmable Typology: **Push**

## DESCRIPTION

Essential and functional, its geometric shape is designed to accommodate various light sources and LED circuits of various power ratings, extending to distribute diverse sources and the light emission and support various lighting requirements.

## FEATURES

- Product Code: **1918020A**
- Colour: **Silver**
- Installation: **Wall**
- Material: **Aluminium, methacrylate, polycarbonate**
- Series: **Design Collection**
- Environment: **Indoor**
- Area contract: **Hospitality**
- Emission: **Direct/indirect**
- design by: **Neil Poulton**

## DIMENSIONS

- Length: **1200 mm**
- Width: **100 mm**
- Height: **40 mm**
- Glow Wire Test: **750°C**

## SOURCES INCLUDED

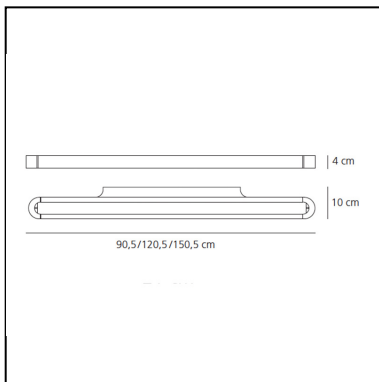
- Category: **Led**
- Number: **7**
- Watt: **6.72W**
- Delivered lumen output: **1014lm**
- Color temperature (K): **3000K**
- CRI: **80**
- Color Tolerance: **MacAdam 3SDCM**
- Efficacy: **151lm/W**
- Service Life: **50000-L70**

# Talo Wall 120 - Dimmable - White

Neil Poulton



IP20     Dimmerable: 



## LUMINAIRE

- Watt: **51W**
- Voltage: **220-240V**
- Delivered lumen output: **6020lm**
- CCT: **3000K**
- Efficiency: **80%**
- Efficacy: **118.05lm/W**
- CRI: **80**
- Dimmable Typology: **Push**

## DESCRIPTION

Essential and functional, its geometric shape is designed to accommodate various light sources and LED circuits of various power ratings, extending to distribute diverse sources and the light emission and support various lighting requirements.

## FEATURES

- Product Code: **1918010A**
- Colour: **White**
- Installation: **Wall**
- Material: **Aluminium, methacrylate, polycarbonate**
- Series: **Design Collection**
- Environment: **Indoor**
- Area contract: **Hospitality**
- Emission: **Direct/indirect**
- design by: **Neil Poulton**

## DIMENSIONS

- Length: **1200 mm**
- Width: **100 mm**
- Height: **40 mm**
- Glow Wire Test: **750°C**

## SOURCES INCLUDED

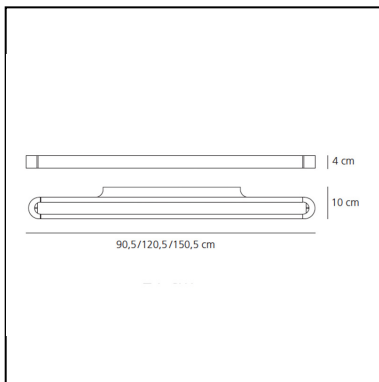
- Category: **Led**
- Number: **7**
- Watt: **6.72W**
- Delivered lumen output: **1014lm**
- Color temperature (K): **3000K**
- CRI: **80**
- Color Tolerance: **MacAdam 3SDCM**
- Efficacy: **151lm/W**
- Service Life: **50000-L70**

# Talo Wall 120 - Undimmable - Black

Neil Poulton



IP20    



## LUMINAIRE

- Watt: **51W**
- Voltage: **220-240V**
- Delivered lumen output: **6020lm**
- CCT: **3000K**
- Efficiency: **80%**
- Efficacy: **118.05lm/W**
- CRI: **80**

## DESCRIPTION

Essential and functional, its geometric shape is designed to accommodate various light sources and LED circuits of various power ratings, extending to distribute diverse sources and the light emission and support various lighting requirements.

## FEATURES

- Product Code: **1917080A**
- Colour: **Black**
- Installation: **Wall**
- Material: **Aluminium, methacrylate, polycarbonate**
- Series: **Design Collection**
- Environment: **Indoor**
- Area contract: **Hospitality**
- Emission: **Direct/indirect**
- design by: **Neil Poulton**

## DIMENSIONS

- Length: **1200 mm**
- Width: **100 mm**
- Height: **40 mm**
- Glow Wire Test: **650°**

## SOURCES INCLUDED

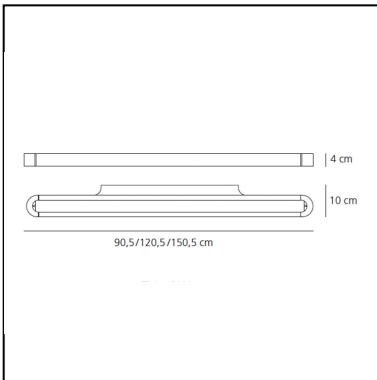
- Category: **Led**
- Number: **7**
- Watt: **6.72W**
- Delivered lumen output: **1014lm**
- Color temperature (K): **3000K**
- CRI: **80**
- Color Tolerance: **MacAdam 3SDCM**
- Efficacy: **151lm/W**
- Service Life: **50000-L70**

# Talo Wall 120 - Undimmable - Silver

Neil Poulton



IP20    



## LUMINAIRE

- Watt: **51W**
- Voltage: **220-240V**
- Delivered lumen output: **6020lm**
- CCT: **3000K**
- Efficiency: **80%**
- Efficacy: **118.05lm/W**
- CRI: **80**

## DESCRIPTION

Essential and functional, its geometric shape is designed to accommodate various light sources and LED circuits of various power ratings, extending to distribute diverse sources and the light emission and support various lighting requirements.

## FEATURES

- Product Code: **1917020A**
- Colour: **Silver**
- Installation: **Wall**
- Material: **Aluminium, methacrylate, polycarbonate**
- Series: **Design Collection**
- Environment: **Indoor**
- Area contract: **Hospitality**
- Emission: **Direct/indirect**
- design by: **Neil Poulton**

## DIMENSIONS

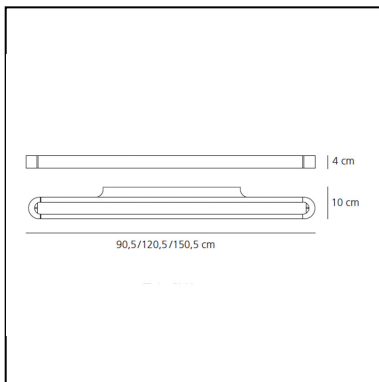
- Length: **1200 mm**
- Width: **100 mm**
- Height: **40 mm**
- Glow Wire Test: **650°**

## SOURCES INCLUDED

- Category: **Led**
- Number: **7**
- Watt: **6.72W**
- Delivered lumen output: **1014lm**
- Color temperature (K): **3000K**
- CRI: **80**
- Color Tolerance: **MacAdam 3SDCM**
- Efficacy: **151lm/W**
- Service Life: **50000-L70**

# Talo Wall 120 - Undimmable - White

Neil Poulton



## LUMINAIRE

- Watt: **51W**
- Voltage: **220-240V**
- Delivered lumen output: **6020lm**
- CCT: **3000K**
- Efficiency: **80%**
- Efficacy: **118.05lm/W**
- CRI: **80**

## DESCRIPTION

Essential and functional, its geometric shape is designed to accommodate various light sources and LED circuits of various power ratings, extending to distribute diverse sources and the light emission and support various lighting requirements.

## FEATURES

- Product Code: **1917010A**
- Colour: **White**
- Installation: **Wall**
- Material: **Aluminium, methacrylate, polycarbonate**
- Series: **Design Collection**
- Environment: **Indoor**
- Area contract: **Hospitality**
- Emission: **Direct/indirect**
- design by: **Neil Poulton**

## DIMENSIONS

- Length: **1200 mm**
- Width: **100 mm**
- Height: **40 mm**
- Glow Wire Test: **650°**

## SOURCES INCLUDED

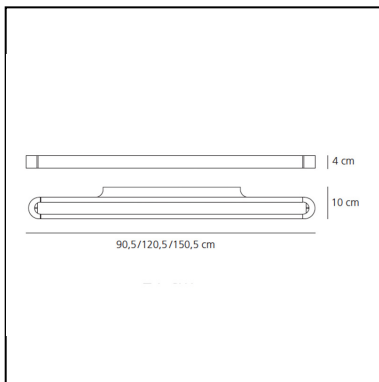
- Category: **Led**
- Number: **7**
- Watt: **6.72W**
- Delivered lumen output: **1014lm**
- Color temperature (K): **3000K**
- CRI: **80**
- Color Tolerance: **MacAdam 3SDCM**
- Efficacy: **151lm/W**
- Service Life: **50000-L70**

# Talo Wall 150 - Dimmable - Black

Neil Poulton



IP20     Dimmerable: 



## LUMINAIRE

- Watt: **60W**
- Voltage: **220-240V**
- Delivered lumen output: **7206lm**
- CCT: **3000K**
- Efficiency: **80%**
- Efficacy: **120.10lm/W**
- CRI: **80**
- Dimmable Typology: **Push**

## DESCRIPTION

Essential and functional, its geometric shape is designed to accommodate various light sources and LED circuits of various power ratings, extending to distribute diverse sources and the light emission and support various lighting requirements.

## FEATURES

- Product Code: **1920080A**
- Colour: **Black**
- Installation: **Wall**
- Material: **Aluminium, methacrylate, polycarbonate**
- Series: **Design Collection**
- Environment: **Indoor**
- Area contract: **Hospitality**
- Emission: **Direct/indirect**
- design by: **Neil Poulton**

## DIMENSIONS

- Length: **1500 mm**
- Width: **100 mm**
- Height: **40 mm**
- Glow Wire Test: **750°C**

## SOURCES INCLUDED

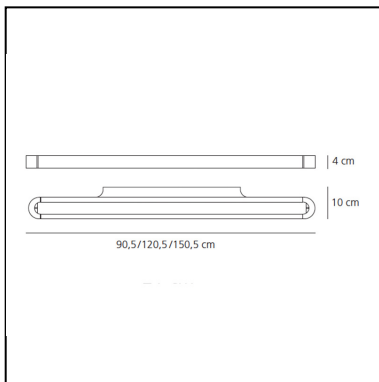
- Category: **Led**
- Number: **1**
- Watt: **60W**
- Delivered lumen output: **7920lm**
- Color temperature (K): **3000K**
- CRI: **80**
- Color Tolerance: **3SDCM**
- Efficacy: **132lm/W**

# Talo Wall 150 - Dimmable - Silver

Neil Poulton



IP20     Dimmerable: 



## LUMINAIRE

- Watt: **60W**
- Voltage: **220-240V**
- Delivered lumen output: **7206lm**
- CCT: **3000K**
- Efficiency: **80%**
- Efficacy: **120.10lm/W**
- CRI: **80**
- Dimmable Typology: **Push**

## DESCRIPTION

Essential and functional, its geometric shape is designed to accommodate various light sources and LED circuits of various power ratings, extending to distribute diverse sources and the light emission and support various lighting requirements.

## FEATURES

- Product Code: **1920020A**
- Colour: **silver**
- Installation: **Wall**
- Material: **Aluminium, methacrylate, polycarbonate**
- Series: **Design Collection**
- Environment: **Indoor**
- Area contract: **Hospitality**
- Emission: **Direct/indirect**
- design by: **Neil Poulton**

## DIMENSIONS

- Length: **1500 mm**
- Width: **100 mm**
- Height: **40 mm**
- Glow Wire Test: **750°C**

## SOURCES INCLUDED

- Category: **Led**
- Number: **1**
- Watt: **60W**
- Delivered lumen output: **7920lm**
- Color temperature (K): **3000K**
- CRI: **80**
- Color Tolerance: **3SDCM**
- Efficacy: **132lm/W**

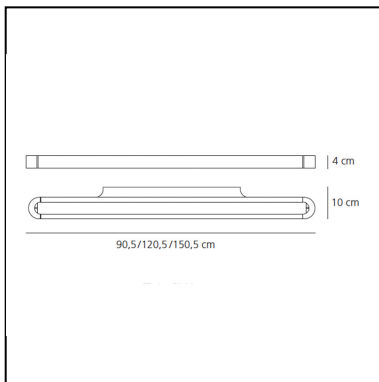


# Talo Wall 150 - Dimmable - White

Neil Poulton



IP20     Dimmerable: +  -



## LUMINAIRE

- Watt: **60W**
- Voltage: **220-240V**
- Delivered lumen output: **7206lm**
- CCT: **3000K**
- Efficiency: **80%**
- Efficacy: **120.10lm/W**
- CRI: **80**
- Dimmable Typology: **Push**

## DESCRIPTION

Essential and functional, its geometric shape is designed to accommodate various light sources and LED circuits of various power ratings, extending to distribute diverse sources and the light emission and support various lighting requirements.

## FEATURES

- Product Code: **1920010A**
- Colour: **White**
- Installation: **Wall**
- Material: **Aluminium, methacrylate, polycarbonate**
- Series: **Design Collection**
- Environment: **Indoor**
- Area contract: **Hospitality**
- Emission: **Direct/indirect**
- design by: **Neil Poulton**

## DIMENSIONS

- Length: **1500 mm**
- Width: **100 mm**
- Height: **40 mm**
- Glow Wire Test: **750°C**

## SOURCES INCLUDED

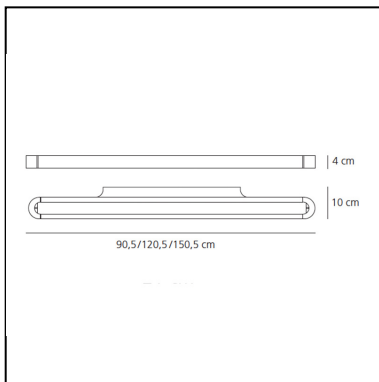
- Category: **Led**
- Number: **1**
- Watt: **60W**
- Delivered lumen output: **7920lm**
- Color temperature (K): **3000K**
- CRI: **80**
- Color Tolerance: **3SDCM**
- Efficacy: **132lm/W**

# Talo Wall 150 - Undimmable - Black

Neil Poulton



IP20    



## LUMINAIRE

- Watt: **60W**
- Voltage: **220-240V**
- Delivered lumen output: **7206lm**
- CCT: **3000K**
- Efficiency: **80%**
- Efficacy: **120.10lm/W**
- CRI: **80**

## DESCRIPTION

Essential and functional, its geometric shape is designed to accommodate various light sources and LED circuits of various power ratings, extending to distribute diverse sources and the light emission and support various lighting requirements.

## FEATURES

- Product Code: **1919080A**
- Colour: **Black**
- Installation: **Wall**
- Material: **Aluminium, methacrylate, polycarbonate**
- Series: **Design Collection**
- Environment: **Indoor**
- Area contract: **Hospitality**
- Emission: **Direct/indirect**
- design by: **Neil Poulton**

## DIMENSIONS

- Length: **1500 mm**
- Width: **100 mm**
- Height: **40 mm**
- Glow Wire Test: **650°**

## SOURCES INCLUDED

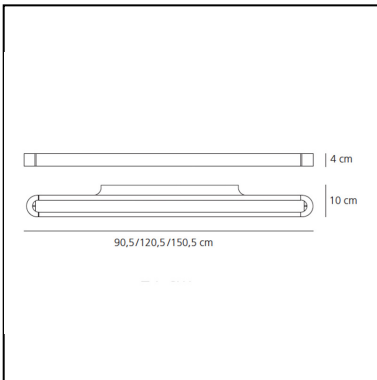
- Category: **Led**
- Number: **1**
- Watt: **6.22W**
- Delivered lumen output: **951lm**
- Color temperature (K): **3000K**
- CRI: **80**
- Color Tolerance: **MacAdam 3SDCM**
- Efficacy: **153lm/W**
- Service Life: **50000-L70**

# Talo Wall 150 - Undimmable - Silver

Neil Poulton



IP20    



## LUMINAIRE

- Watt: **60W**
- Voltage: **220-240V**
- Delivered lumen output: **7206lm**
- CCT: **3000K**
- Efficiency: **80%**
- Efficacy: **120.10lm/W**
- CRI: **80**

## DESCRIPTION

Essential and functional, its geometric shape is designed to accommodate various light sources and LED circuits of various power ratings, extending to distribute diverse sources and the light emission and support various lighting requirements.

## FEATURES

- Product Code: **1919020A**
- Colour: **silver**
- Installation: **Wall**
- Material: **Aluminium, methacrylate, polycarbonate**
- Series: **Design Collection**
- Environment: **Indoor**
- Area contract: **Hospitality**
- Emission: **Direct/indirect**
- design by: **Neil Poulton**

## DIMENSIONS

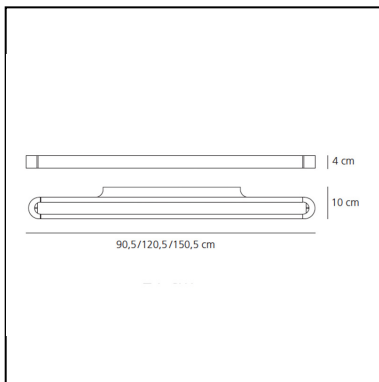
- Length: **1500 mm**
- Width: **100 mm**
- Height: **40 mm**
- Glow Wire Test: **650°**

## SOURCES INCLUDED

- Category: **Led**
- Number: **1**
- Watt: **6.22W**
- Delivered lumen output: **951lm**
- Color temperature (K): **3000K**
- CRI: **80**
- Color Tolerance: **MacAdam 3SDCM**
- Efficacy: **153lm/W**
- Service Life: **50000-L70**

# Talo Wall 150 - Undimmable - White

Neil Poulton



## LUMINAIRE

- Watt: **60W**
- Voltage: **220-240V**
- Delivered lumen output: **7206lm**
- CCT: **3000K**
- Efficiency: **80%**
- Efficacy: **120.10lm/W**
- CRI: **80**

## DESCRIPTION

Essential and functional, its geometric shape is designed to accommodate various light sources and LED circuits of various power ratings, extending to distribute diverse sources and the light emission and support various lighting requirements.

## FEATURES

- Product Code: **1919010A**
- Colour: **White**
- Installation: **Wall**
- Material: **Aluminium, methacrylate, polycarbonate**
- Series: **Design Collection**
- Environment: **Indoor**
- Area contract: **Hospitality**
- Emission: **Direct/indirect**
- design by: **Neil Poulton**

## DIMENSIONS

- Length: **1500 mm**
- Width: **100 mm**
- Height: **40 mm**
- Glow Wire Test: **650°**

## SOURCES INCLUDED

- Category: **Led**
- Number: **1**
- Watt: **6.22W**
- Delivered lumen output: **951lm**
- Color temperature (K): **3000K**
- CRI: **80**
- Color Tolerance: **MacAdam 3SDCM**
- Efficacy: **153lm/W**
- Service Life: **50000-L70**