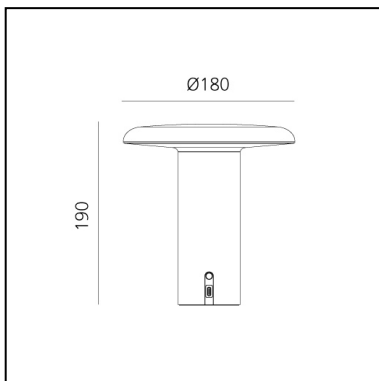


# Takku - Varnished White

Foster + Partners Industrial Design



## LUMINAIRE

- Watt: **2,5W**
- Delivered lumen output: **120lm**
- CCT: **3000K**
- Efficiency: **38%**
- Efficacy: **60.17lm/W**
- CRI: **90**

## DESCRIPTION

Takku is a completely transversal portable light providing perfect illumination for the office. It can freely accompany us not only in the workplace but also in our personal and living spaces.

The head controls the diffused emission with the optical element on its lower surface.

The emission can be adjusted to 3 different brightness settings to support multiple activities and create different ambiances.

20 hours of freedom from the main electricity supply make it an ideal solution for the flexible interpretation of personal light in private and public places.

## FEATURES

- Product Code: **0151010A**
- Colour: **Varnished white**
- Installation: **Table**
- Series: **Design Collection**
- design by: **Foster + Partners Industrial Design**

## DIMENSIONS

- Height: **190 mm**
- Diameter: **180 mm**

# Takku - Varnished Black

Foster + Partners Industrial Design



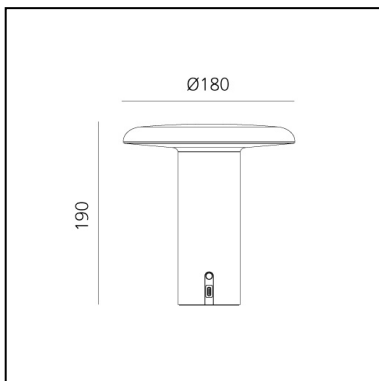
## DESCRIPTION

Takku is a completely transversal portable light providing perfect illumination for the office. It can freely accompany us not only in the workplace but also in our personal and living spaces.

The head controls the diffused emission with the optical element on its lower surface.

The emission can be adjusted to 3 different brightness settings to support multiple activities and create different ambiances.

20 hours of freedom from the main electricity supply make it an ideal solution for the flexible interpretation of personal light in private and public places.



## FEATURES

- Product Code: **0151040A**
- Colour: **Varnished black**
- Installation: **Table**
- Series: **Design Collection**
- design by: **Foster + Partners Industrial Design**

## DIMENSIONS

- Height: **190 mm**
- Diameter: **180 mm**

## LUMINAIRE

- Watt: **2,5W**
- Delivered lumen output: **120lm**
- CCT: **3000K**
- Efficiency: **38%**
- Efficacy: **60.17lm/W**
- CRI: **90**

# Takku - Anodized Red

Foster + Partners Industrial Design



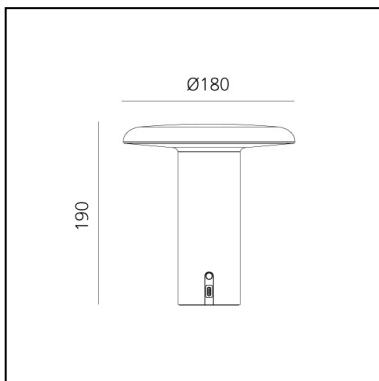
## DESCRIPTION

Takku is a completely transversal portable light providing perfect illumination for the office. It can freely accompany us not only in the workplace but also in our personal and living spaces.

The head controls the diffused emission with the optical element on its lower surface.

The emission can be adjusted to 3 different brightness settings to support multiple activities and create different ambiances.

20 hours of freedom from the main electricity supply make it an ideal solution for the flexible interpretation of personal light in private and public places.



## FEATURES

- Product Code: **0151030A**
- Colour: **Anodized red**
- Installation: **Table**
- Series: **Design Collection**
- design by: **Foster + Partners Industrial Design**

## DIMENSIONS

- Height: **190 mm**
- Diameter: **180 mm**

## LUMINAIRE

- Watt: **2,5W**
- Delivered lumen output: **120lm**
- CCT: **3000K**
- Efficiency: **38%**
- Efficacy: **60.17lm/W**
- CRI: **90**

# Takku - Anodized Grey

Foster + Partners Industrial Design



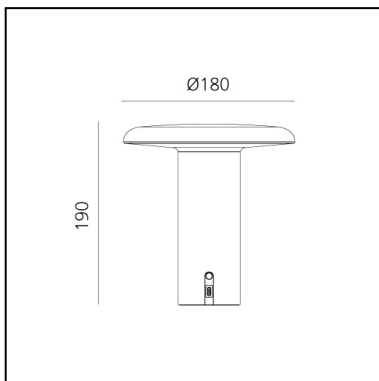
## DESCRIPTION

Takku is a completely transversal portable light providing perfect illumination for the office. It can freely accompany us not only in the workplace but also in our personal and living spaces.

The head controls the diffused emission with the optical element on its lower surface.

The emission can be adjusted to 3 different brightness settings to support multiple activities and create different ambiances.

20 hours of freedom from the main electricity supply make it an ideal solution for the flexible interpretation of personal light in private and public places.



## FEATURES

- Product Code: **0151020A**
- Colour: **Anodized grey**
- Installation: **Table**
- Series: **Design Collection**
- design by: **Foster + Partners Industrial Design**

## DIMENSIONS

- Height: **190 mm**
- Diameter: **180 mm**

## LUMINAIRE

- Watt: **2,5W**
- Delivered lumen output: **120lm**
- CCT: **3000K**
- Efficiency: **38%**
- Efficacy: **60.17lm/W**
- CRI: **90**

# Takku - Anodized Green

Foster + Partners Industrial Design



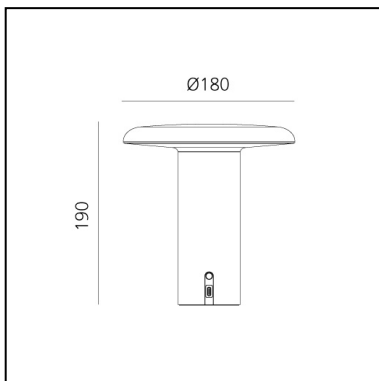
## DESCRIPTION

Takku is a completely transversal portable light providing perfect illumination for the office. It can freely accompany us not only in the workplace but also in our personal and living spaces.

The head controls the diffused emission with the optical element on its lower surface.

The emission can be adjusted to 3 different brightness settings to support multiple activities and create different ambiances.

20 hours of freedom from the main electricity supply make it an ideal solution for the flexible interpretation of personal light in private and public places.



## FEATURES

- Product Code: **0151060A**
- Colour: **Anodized green**
- Installation: **Table**
- Series: **Design Collection**
- design by: **Foster + Partners Industrial Design**

## DIMENSIONS

- Height: **190 mm**
- Diameter: **180 mm**

## LUMINAIRE

- Watt: **2,5W**
- Delivered lumen output: **120lm**
- CCT: **3000K**
- Efficiency: **38%**
- Efficacy: **60.17lm/W**
- CRI: **90**

# Takku - Anodized Blue

Foster + Partners Industrial Design



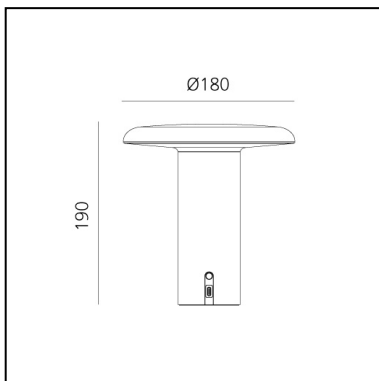
## DESCRIPTION

Takku is a completely transversal portable light providing perfect illumination for the office. It can freely accompany us not only in the workplace but also in our personal and living spaces.

The head controls the diffused emission with the optical element on its lower surface.

The emission can be adjusted to 3 different brightness settings to support multiple activities and create different ambiances.

20 hours of freedom from the main electricity supply make it an ideal solution for the flexible interpretation of personal light in private and public places.



## FEATURES

- Product Code: **0151050A**
- Colour: **Anodized Blue**
- Installation: **Table**
- Series: **Design Collection**
- design by: **Foster + Partners Industrial Design**

## DIMENSIONS

- Height: **190 mm**
- Diameter: **180 mm**

## LUMINAIRE

- Watt: **2,5W**
- Delivered lumen output: **120lm**
- CCT: **3000K**
- Efficiency: **38%**
- Efficacy: **60.17lm/W**
- CRI: **90**