

# FLOS

■ F6563030 Black

## Tab Table

Designed by Edward Barber and Jay Osgerby, 2011



9W - 347lm - 2700K - CRI> 80

Table and floor lamps providing direct lighting with adjustable head. Body in painted pressofused aluminium. Multi-led diffuser in specially designed PMMA to avoid the Multi Shadow effect and dazzle. Head rotation from  $\pm 90^\circ$ .

Are you a professional and your project needs consulting and support?

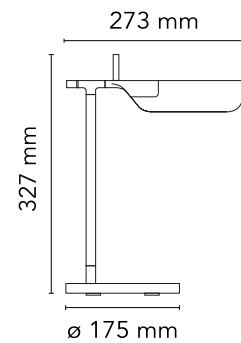
[BOOK AN APPOINTMENT](#)

### Main specifications

EAN	8059607006535
Mounting	Table
Environments	Indoor dry location
Light Source Type	LED
LED type	LED Module
Power (W)	9
System flux (lm)	347

### Physical

Colour	Black
Net weight (kg)	0.91
Package height (mm)	190
Package width (mm)	320
Package length (mm)	410
Package volume (m3)	0.02
IP internal	20



### Download

- [Mounting instructions](#) PDF
- [Mounting instructions](#) PDF
- [Spare Parts](#) PDF

### Photometric Files

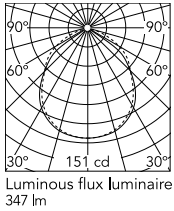
- [LDT / IES](#) LDT

### Technical Drawings

- [2D](#) ZIP



## Schematic light drawing



## Photometric

Lighting type	Direct
Light distribution	Asymmetric
CCT (K)	2700
CRI>	80

## Electrical

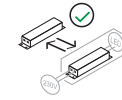
Insulation class	III
Frequency (Hz)	50/60
Main voltage (Vac)	100-240/24
LED voltage Vf (Vdc)	null
Driver	Remote included
Dimmable	Yes
Dimming type	Electronic 24V
Dimming interface	Dimmer Integrated
Plug type	Type G, Type A, Type C
Batteries inside	No

## Ecodesign and Energy Labelling

This product contains a light source of energy efficiency class D

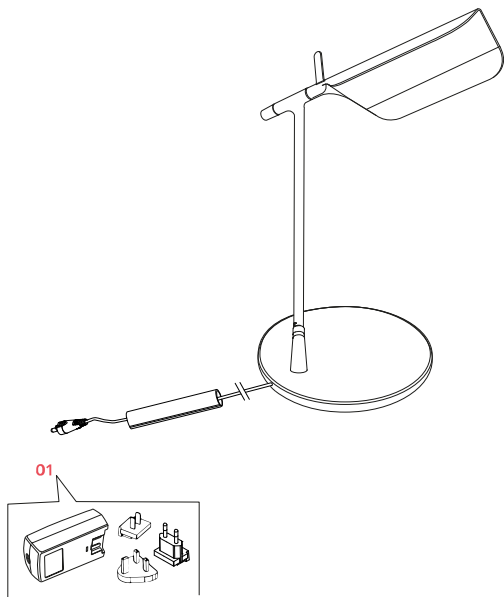


Replaceable (LED only) light source by a professional



Replaceable control gear by an end-user

## Spare Parts



01. Black plug assembly kit & 24V driver

RF3320100

**DOWNLOAD**



RF3320100

Black plug assembly kit & 24V  
driver