

STABLIGHT A - B - C

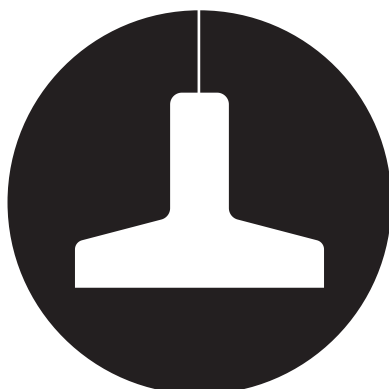
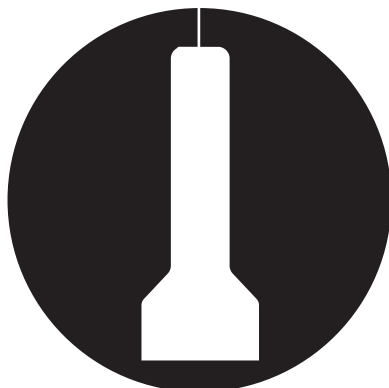
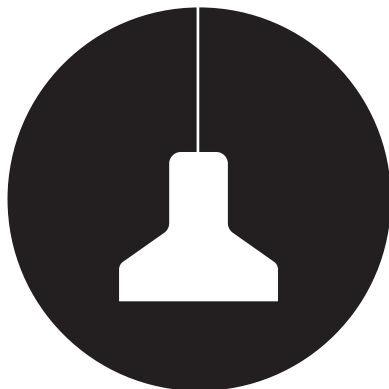
suspension

Arik Levy | 2015

DANESE



MILANO



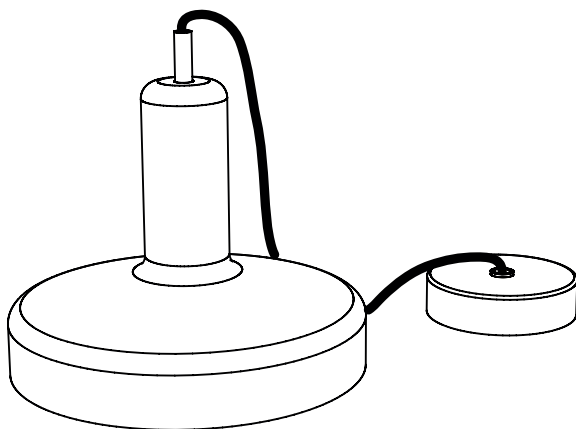
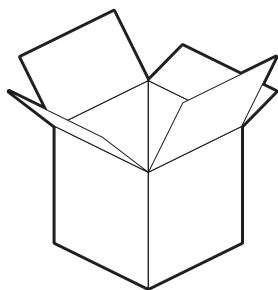
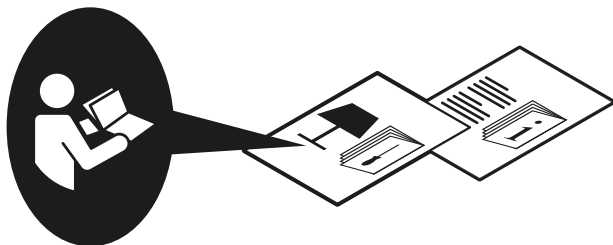
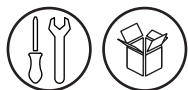


Fig. 1

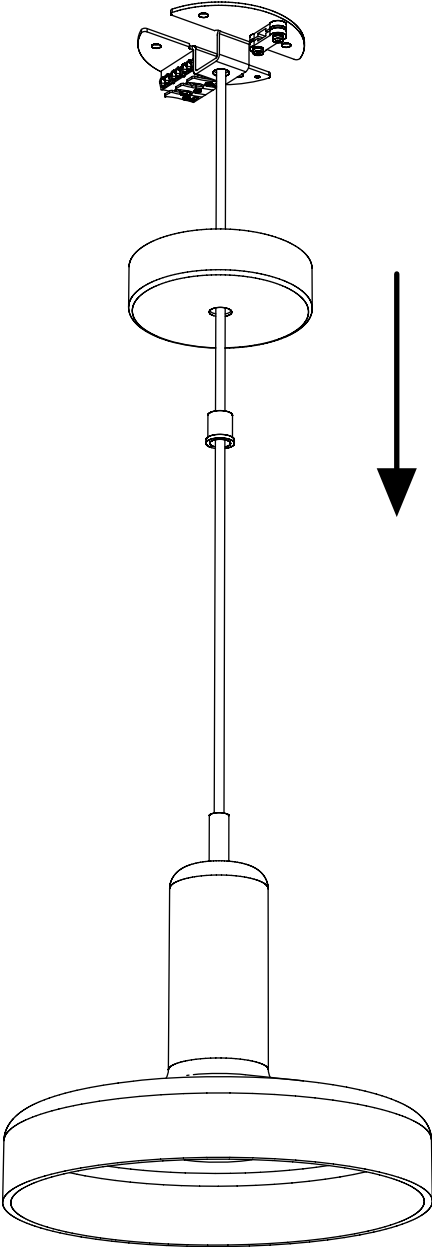


Fig. 2

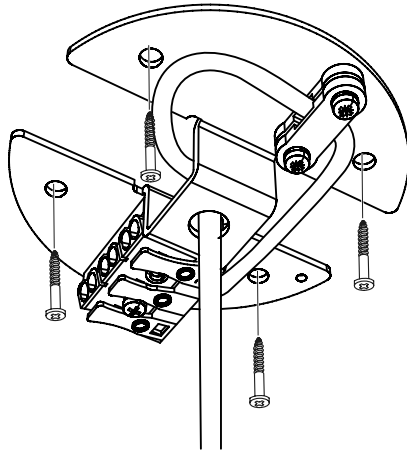


Fig. 3

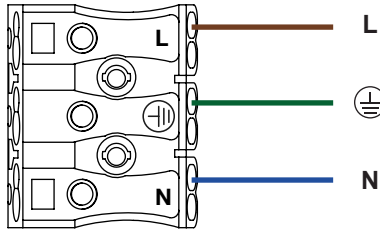


Fig. 4

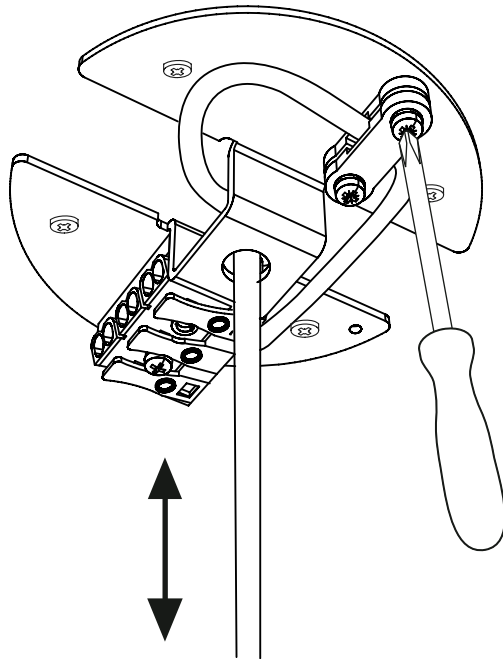


Fig. 5

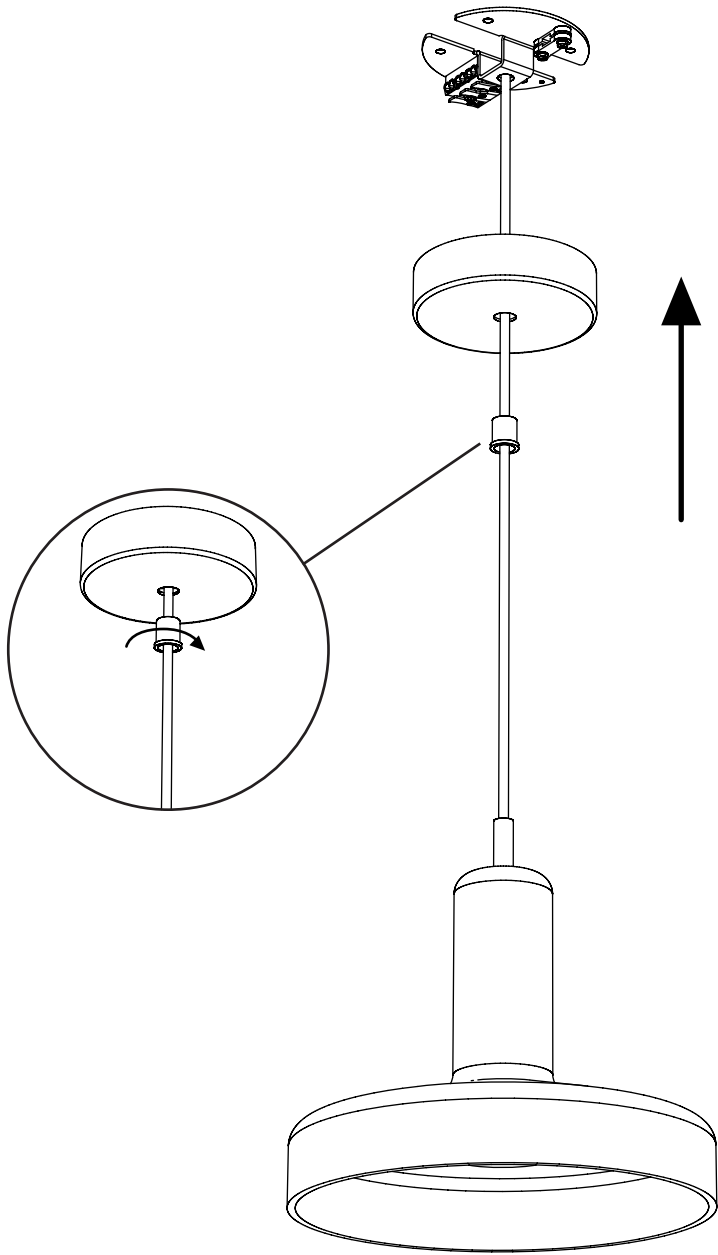
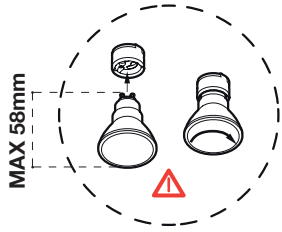
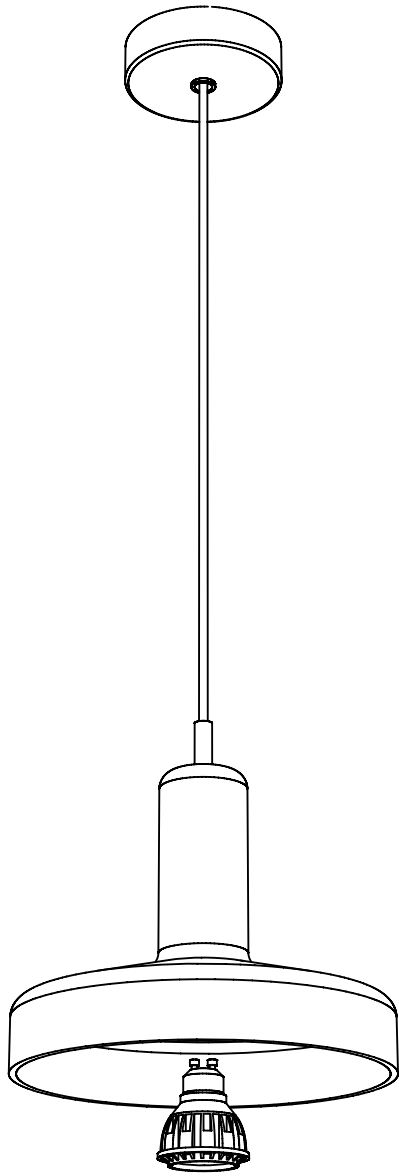
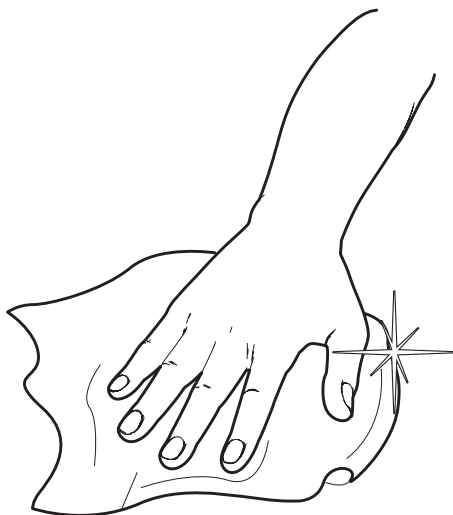
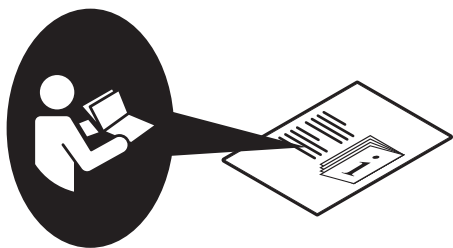


Fig. 6



MAX 58mm

↑
220 - 240 V
50 - 60 Hz
MAX 6,8W LED
GU10 36°



DANESE

VIA ANTONIO CANOVA 34

20145 MILANO

T. +39.02.349611

F. +39.02.34538211

info@danese milano.com

www.danese milano.com

SHOWROOM

PIAZZA SAN NAZARO IN BROLO 15

20122 MILANO

T. +39.02.58304150

F. +39.02.58433350

showroomdanese@artemide.com

DANESE



MILANO | Artemide®

VIA BERGAMO 18

20010 PREGNANA MILANESE (MI) ITALY

T. +39.02.935181 - 935261

Numero Verde 800 834 093 (from Italy only)

© MAY 2016 DANESE

DANESE reserves the right to change, at any time and without prior warning, the technical specification of any product illustrated in this instruction.

cod. Y513000436

STABLIGHT

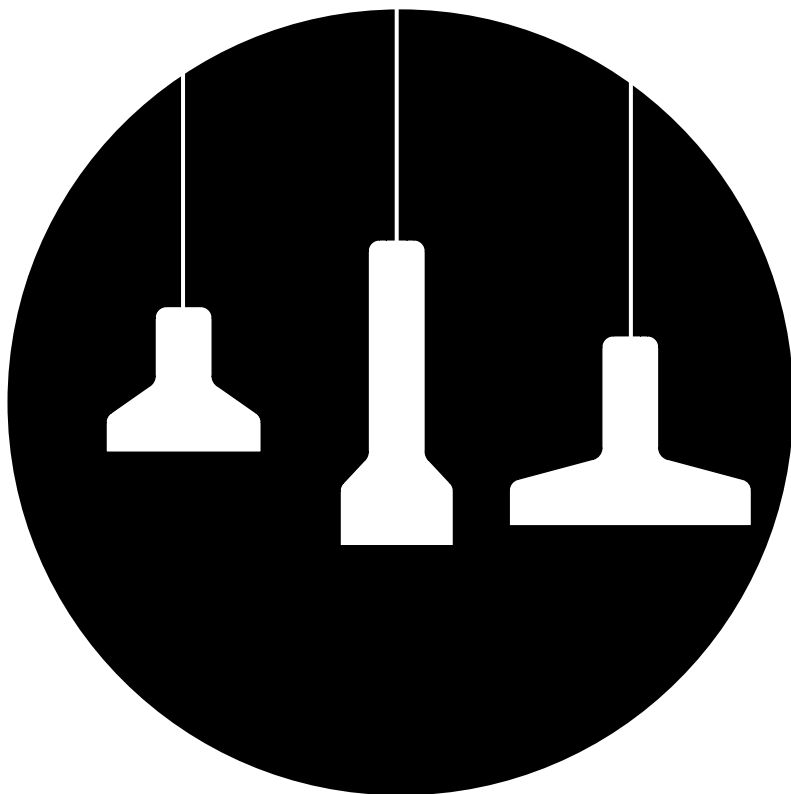
suspension

Arik Levy | 2015

DANESE



MILANO



- **DAL0027M12**
- **DAL0027M14**
- **DAL0027M80**
- **DAL0027N12**
- **DAL0027N14**
- **DAL0027N80**
- **DAL0027O12**
- **DAL0027O14**
- **DAL0027O80**

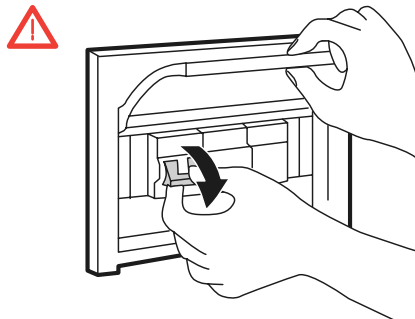


Fig. 1

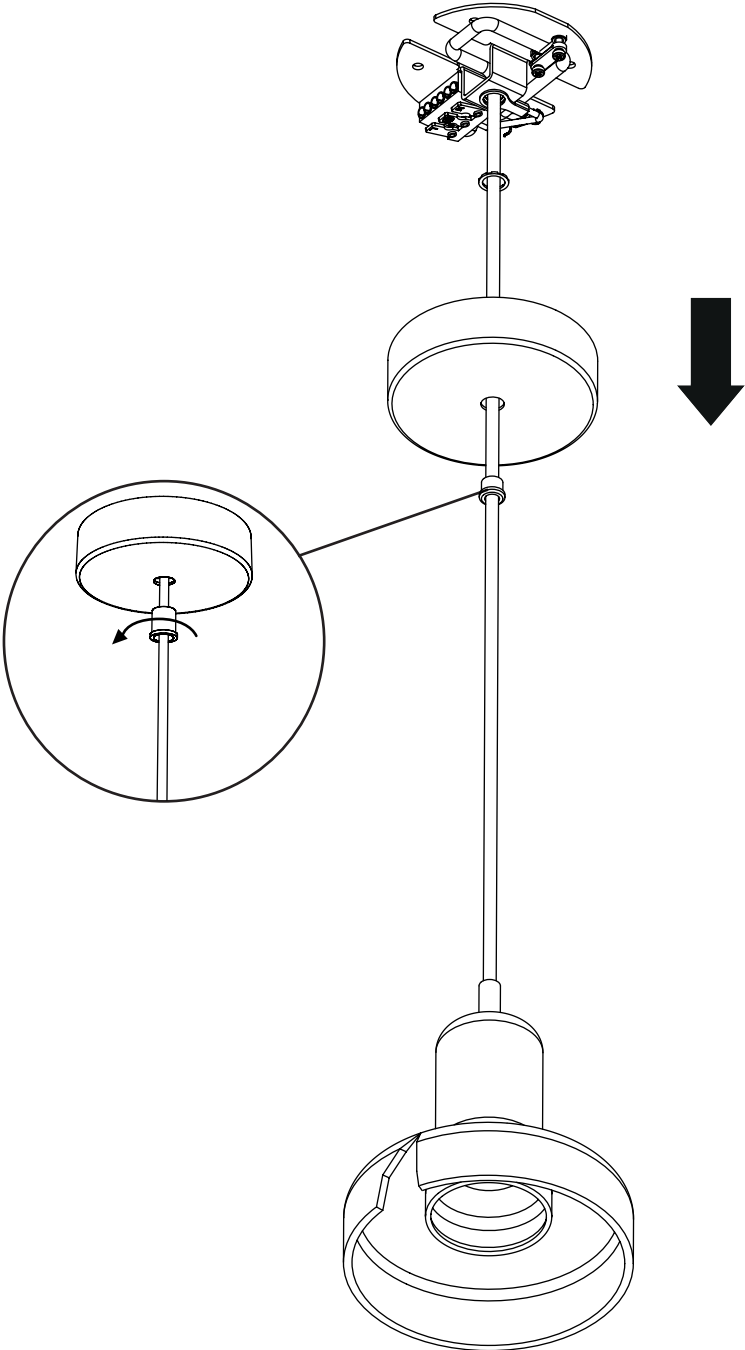


Fig. 2

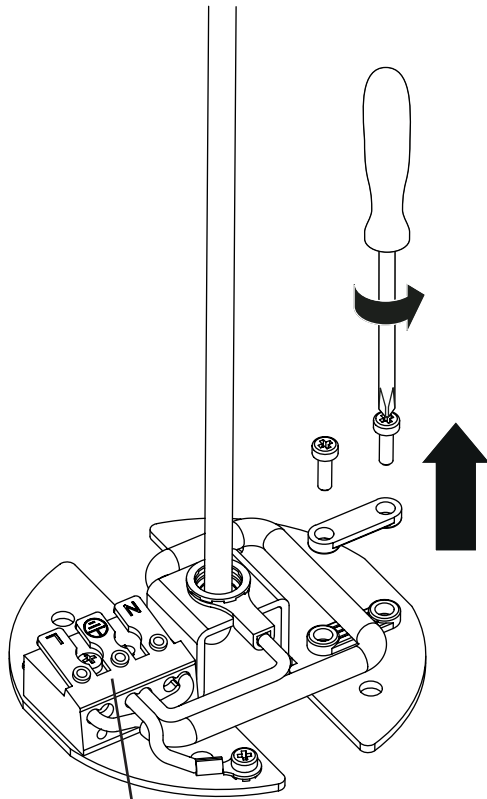


Fig. 3

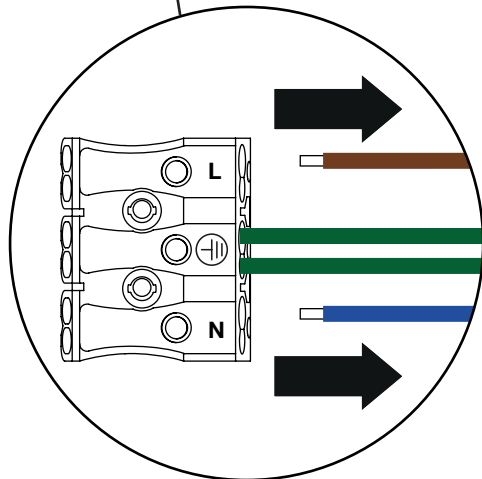


Fig. 4

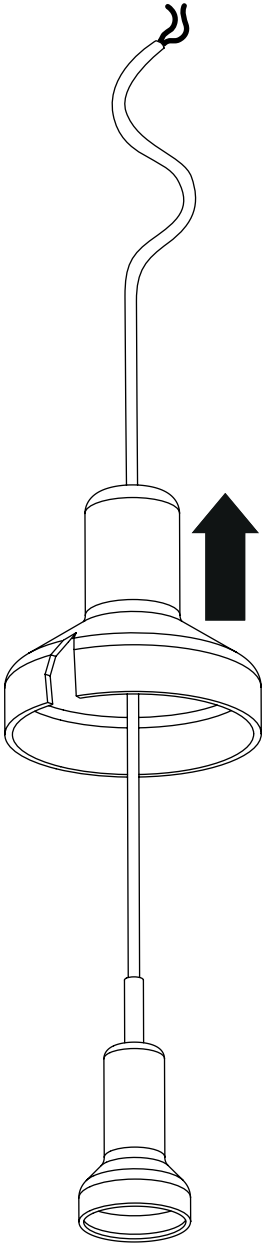


Fig. 5

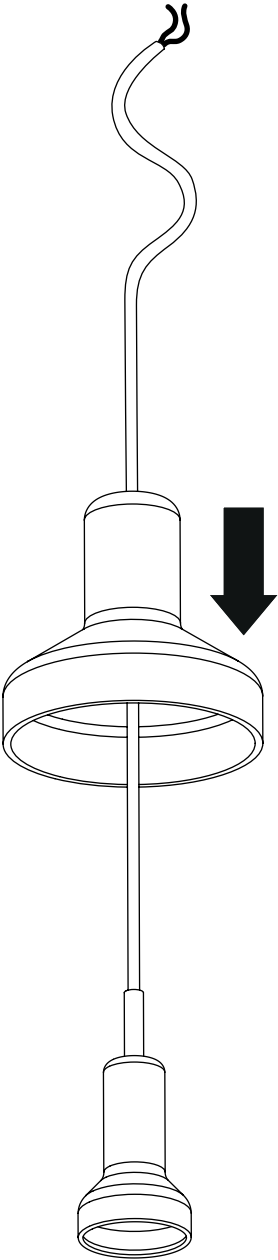


Fig. 6

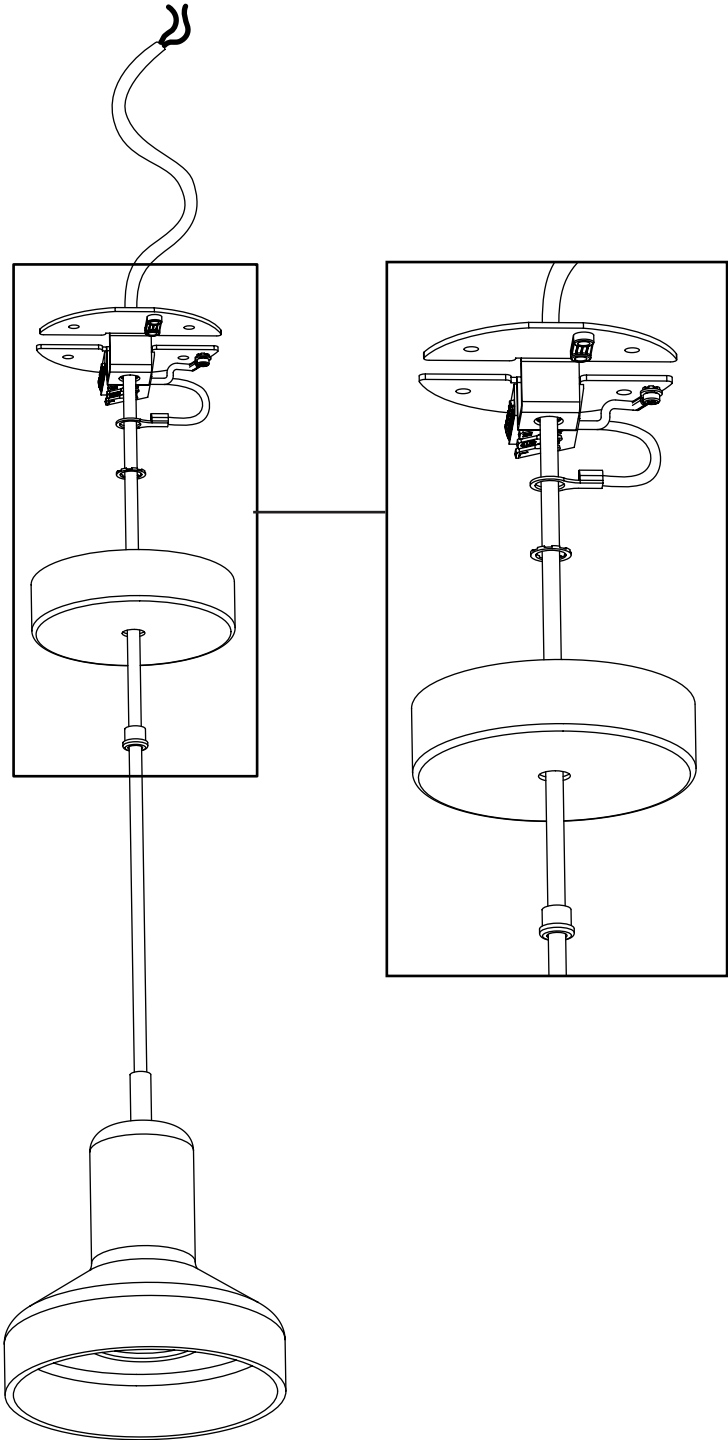


Fig. 7

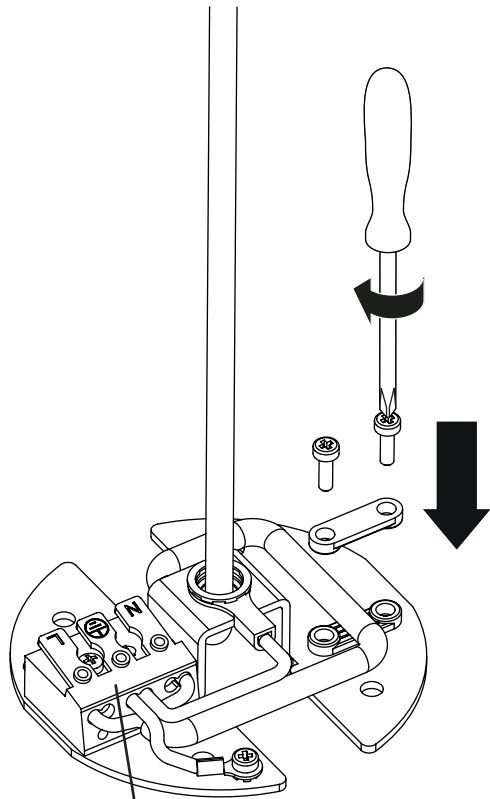
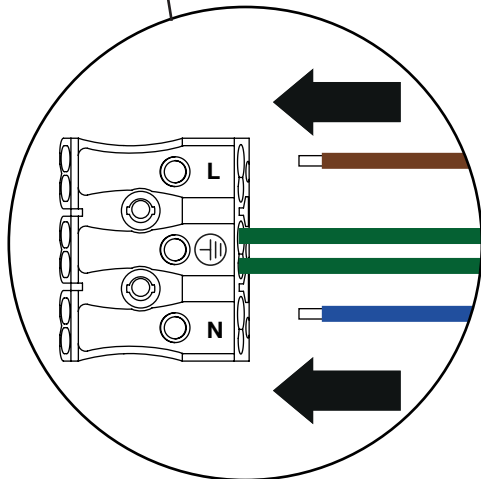


Fig. 8



- **DAL0027L12**
- **DAL0027L14**
- **DAL0027L80**
- **DAL0027L90**

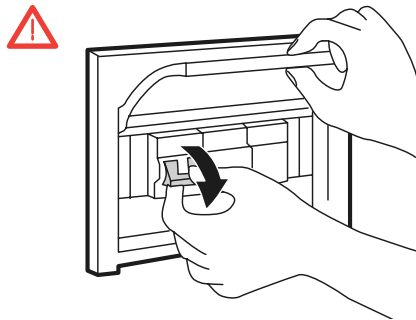


Fig. 1

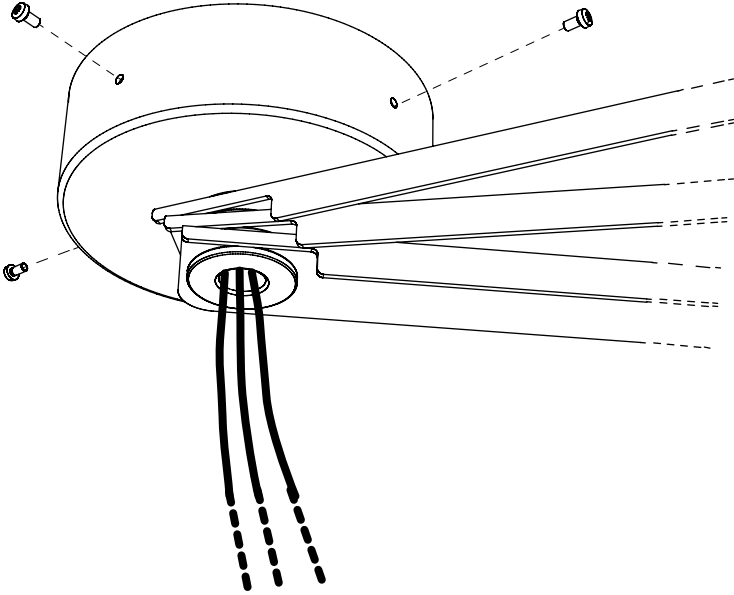


Fig. 2

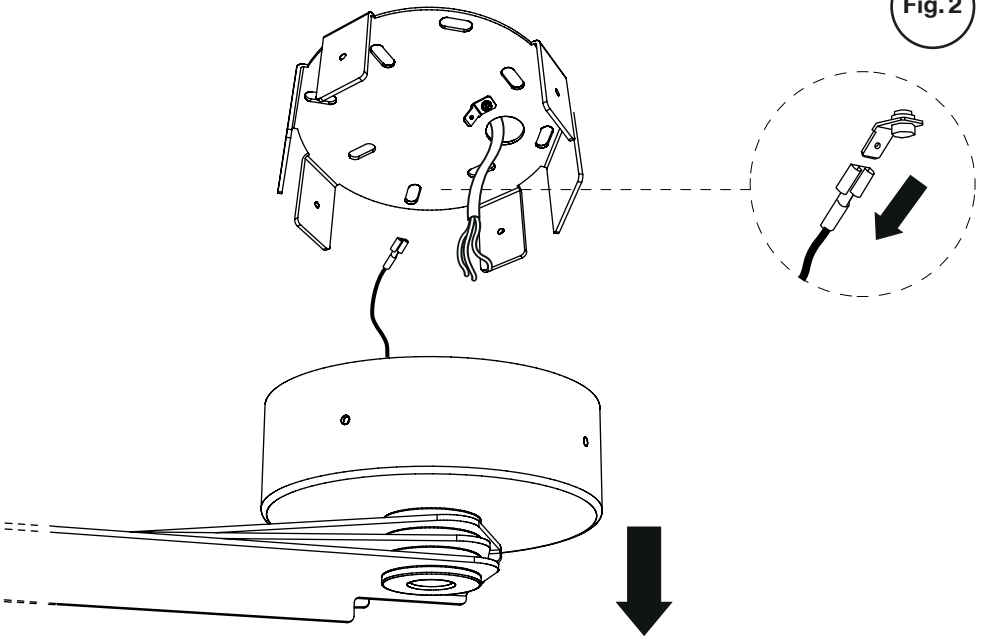


Fig. 3

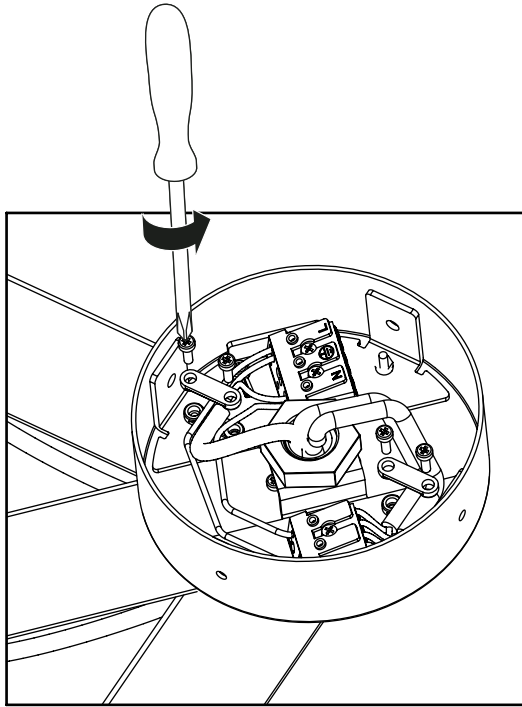


Fig. 4

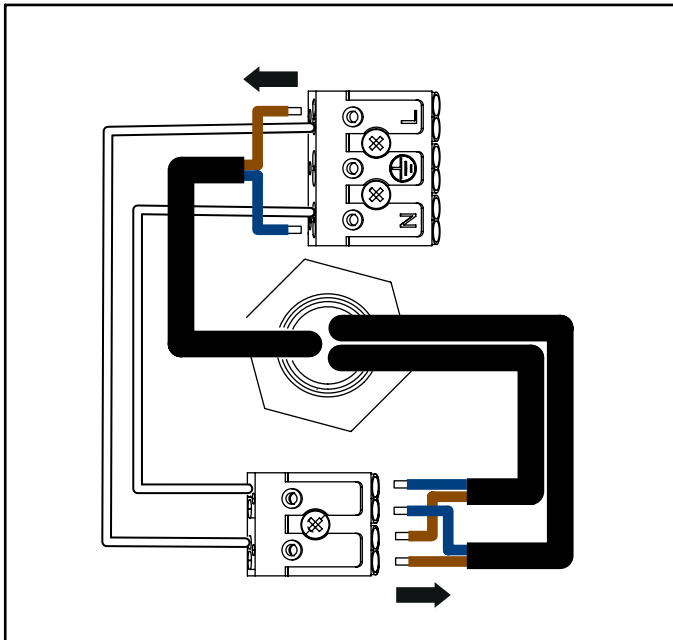


Fig. 5

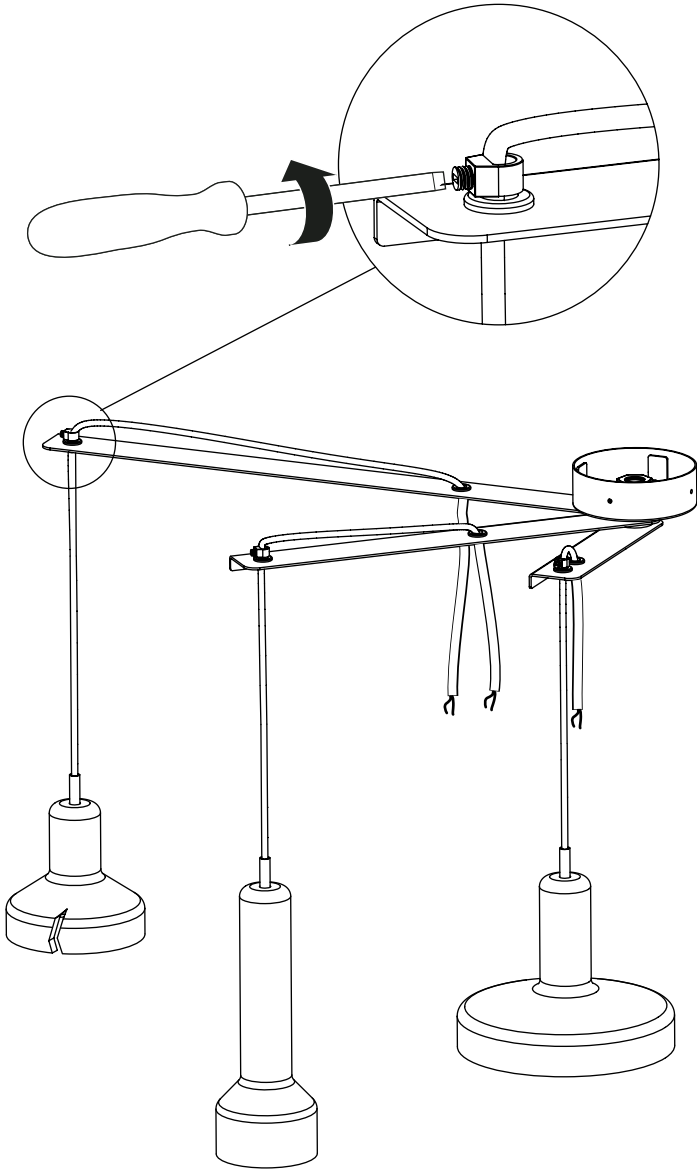


Fig. 6

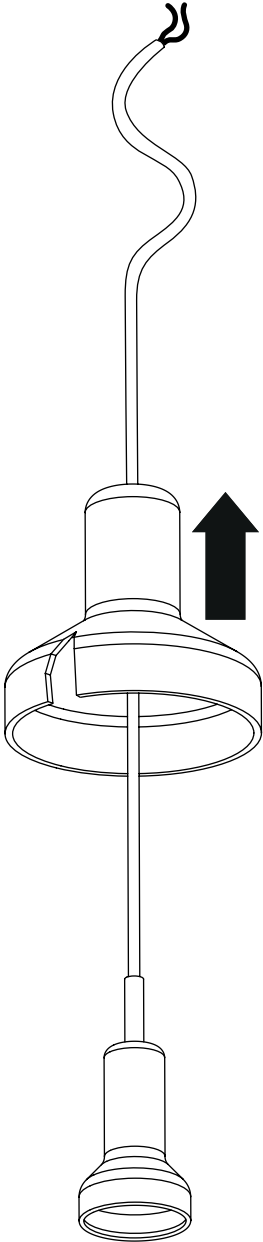


Fig. 7

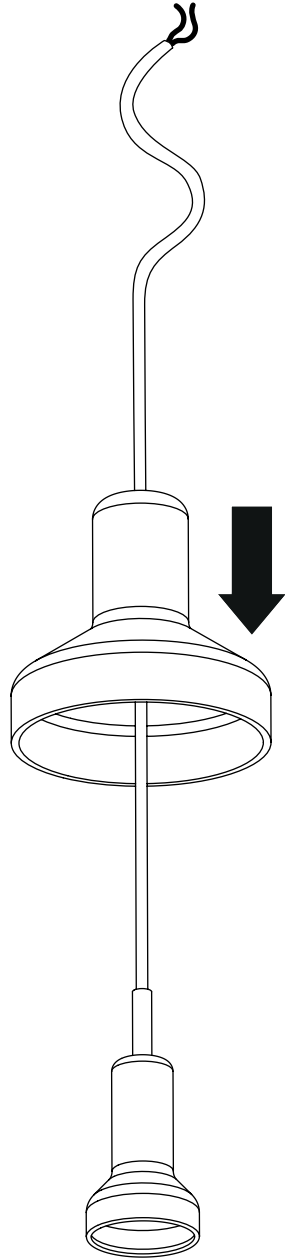


Fig. 8

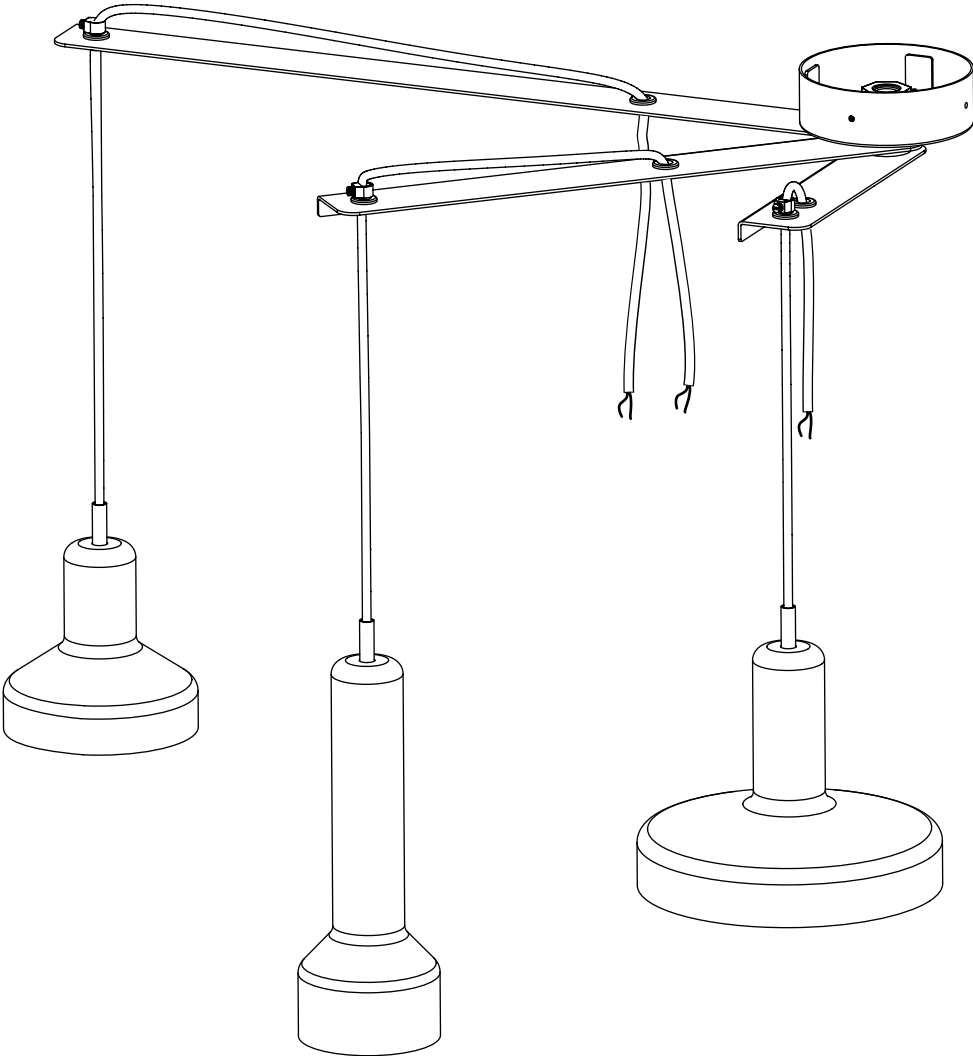
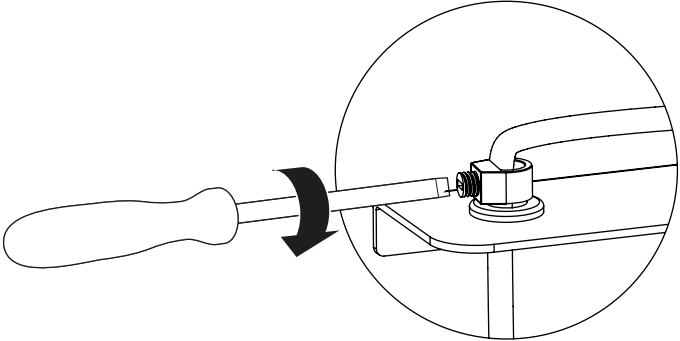


Fig. 9

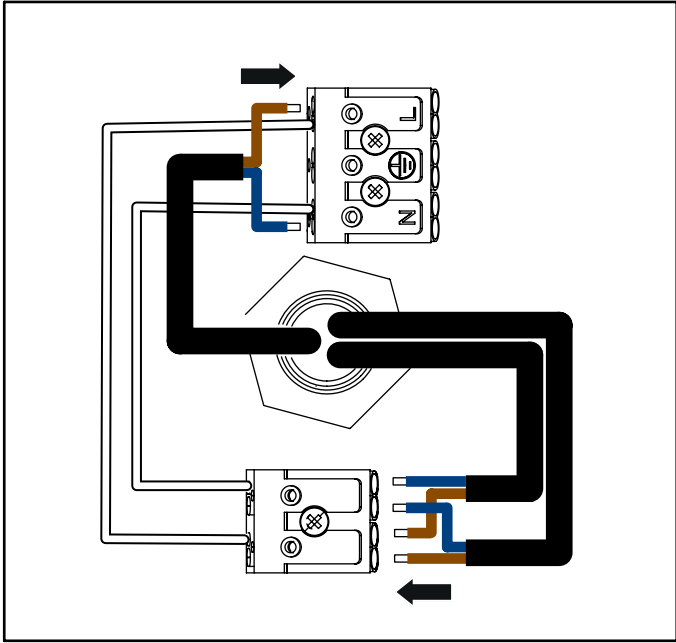
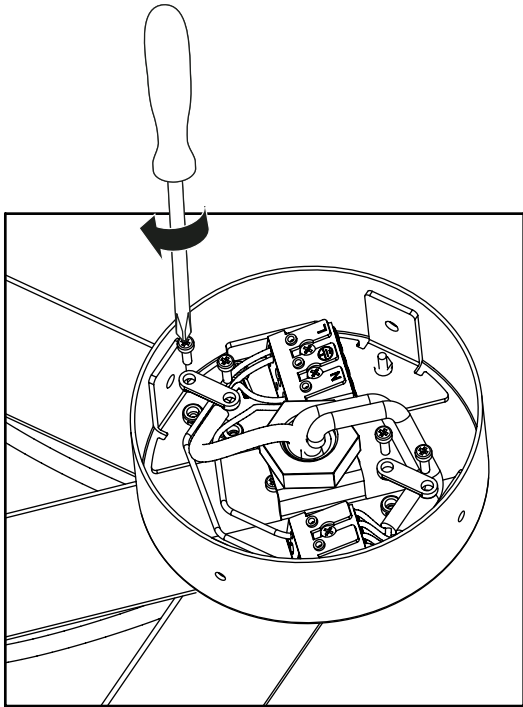


Fig. 10



DANESE

VIA ANTONIO CANOVA 34

20145 MILANO

T. +39.02.349611

F. +39.02.34538211

info@danese milano.com

www.danese milano.com

SHOWROOM

PIAZZA SAN NAZARO IN BROLO 15

20122 MILANO

T. +39.02.58304150

F. +39.02.58433350

showroomdanese@artemide.com

DANESE



MILANO | Artemide®

VIA BERGAMO 18

20010 PREGNANA MILANESE (MI) ITALY

T. +39.02.935181 - 935261

Numero Verde 800 834 093 (from Italy only)

© SEPTEMBER 2016 DANESE

DANESE reserves the right to change, at any time and without prior warning, the technical specification of any product illustrated in this instruction.

cod. Y513000627