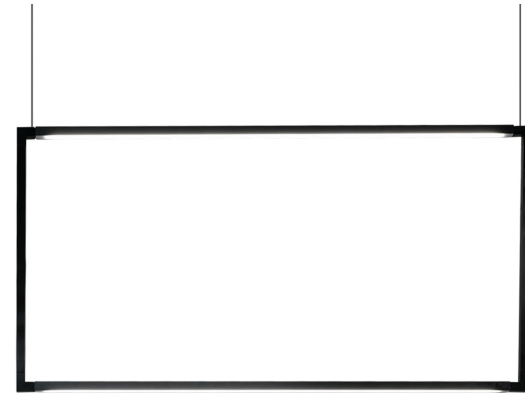


# SPIGOLO PENDANT VERTICAL

*Studiocharlie*

Designed to provide 360° directional lighting, the Spigolo collection features LED light sources housed within an extruded aluminium and tubular structure, connected by moulded polymer joints, which allow the profiles to rotate to produce direct or indirect lighting, shielded by a polycarbonate opal diffuser. The floor version is designed to provide a virtual room divider, while the ceiling and wall versions provide versatile and comfortable ambient lighting.



2700K

### LAMPING

Source	2xlinear LED
Total power	2x19W
Emission	diffused
Switching	mono switch, dimmable 1-10V
Tension	110-240V
Color temperature	2700K
Luminous flux	2x1125lm
Typ CRI	85
IP class	20
Materials	aluminium + PC + ABS
Notes	cabl length 3m, 360° orientable diffusers
Net lamp weight	2,8 kg

### Codes

SPI LW2 51  
SPI LN2 51

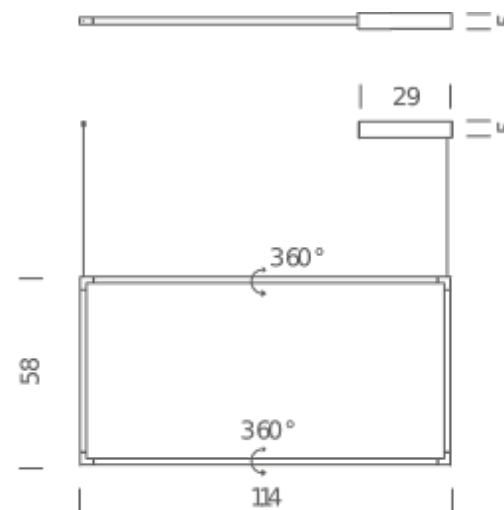
### Structure

white  
black

### PACKAGE

Package 01 Dimension: 18x22x66 cm / Gross weight: 3 kg  
Package 02 Dimension: 17x18x118 cm / Gross weight: 1,8 kg

### Certificazioni



3000K

### LAMPING

Source	2xlinear LED
Total power	2x19W
Emission	diffused
Switching	mono switch, dimmable 1-10V
Tension	110-240V
Color temperature	3000K
Luminous flux	2x1125lm
Typ CRI	85
IP class	20
Materials	aluminium + PC + ABS
Notes	cable length 3m, 360° orientable diffusers
Net lamp weight	2,8 kg

### Codes

SPI LWW 51  
SPI LNN 51

### Structure

white  
black

### PACKAGE

Package 01	Dimension: 18x22x66 cm / Gross weight: 3 kg
Package 02	Dimension: 17x18x118 cm / Gross weight: 1,8 kg

### Certificazioni

