

## ROMA WALL LIGHT

Celebrating the simplicity of line and form, The Roma collection is designed to highlight the noble quality of materials. Its modern silhouette creates a sleek profile which seamlessly highlights a wall or ceiling.

### FINISH

240V:  
satin brass with alabaster  
ROMWAOSB-240

bronze with alabaster  
ROMWATBZ-240

110V:  
satin brass with alabaster  
ROMWAOSB-110

bronze with alabaster  
ROMWATBZ-110

### BULBS

integrated LED - trailing edge dimmable - 9 w - 2700k

### WEIGHT

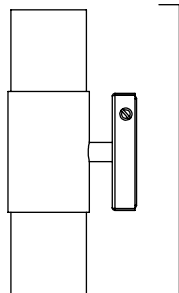
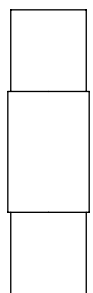
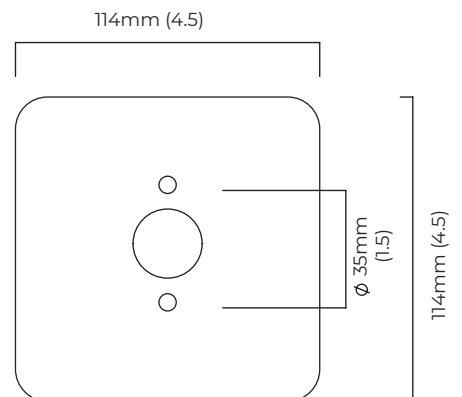
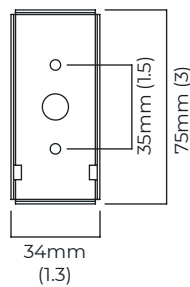
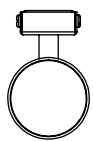
2kg (4.4lbs)

### CERTIFICATION



mounting plate dimensions

North America junction box cover



54mm (2.1)

85mm (3.3)

190mm (7.5)

	Input Voltage	As Standard	On Request
Phase Cut (rotary dimmer)	240	✓	
0/1-10V230	240	✗	✗
DALi	240	✗	✓
Phase Cut (rotary dimmer)	110	✓	
0/1-10V120	110	✗	✗
DALi	110	✗	✗

## ROMA TALL WALL LIGHT

Celebrating the simplicity of line and form, The Roma collection is designed to highlight the noble quality of materials. Its modern silhouette creates a sleek profile which seamlessly highlights a wall or ceiling.

### FINISH

240V:  
satin brass with alabaster  
ROMWATSB-240

bronze with alabaster  
ROMWATBZ-240

110V:  
satin brass with alabaster  
ROMWATSB-110

bronze with alabaster  
ROMWATBZ-110

### BULBS

integrated LED - trailing edge dimmable - 9 w - 2700k

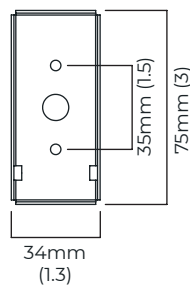
### WEIGHT

2.5kg (5.5lbs)

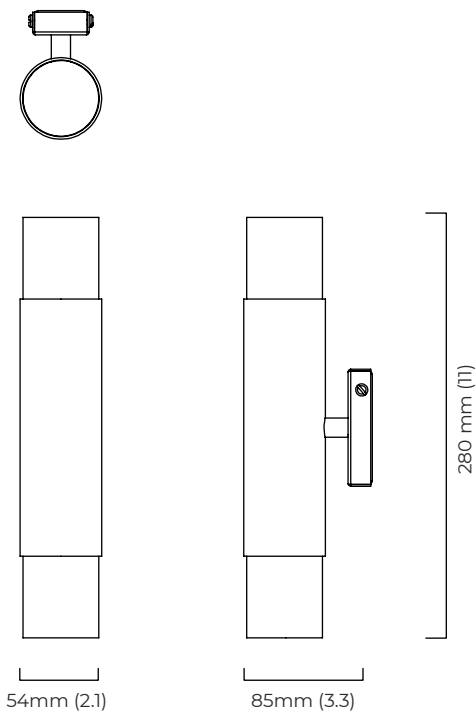
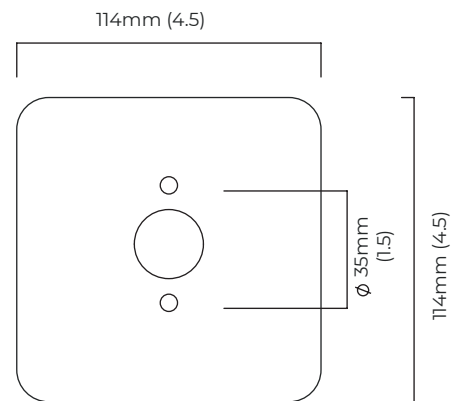
### CERTIFICATION



mounting plate dimensions



North America junction box cover



	Input Voltage	As Standard	On Request
Phase Cut (rotary dimmer)	240	✓	
0/1-10V230	240	✗	✗
DALi	240	✗	✓
Phase Cut (rotary dimmer)	110	✓	
0/1-10V120	110	✗	✗
DALi	110	✗	✗