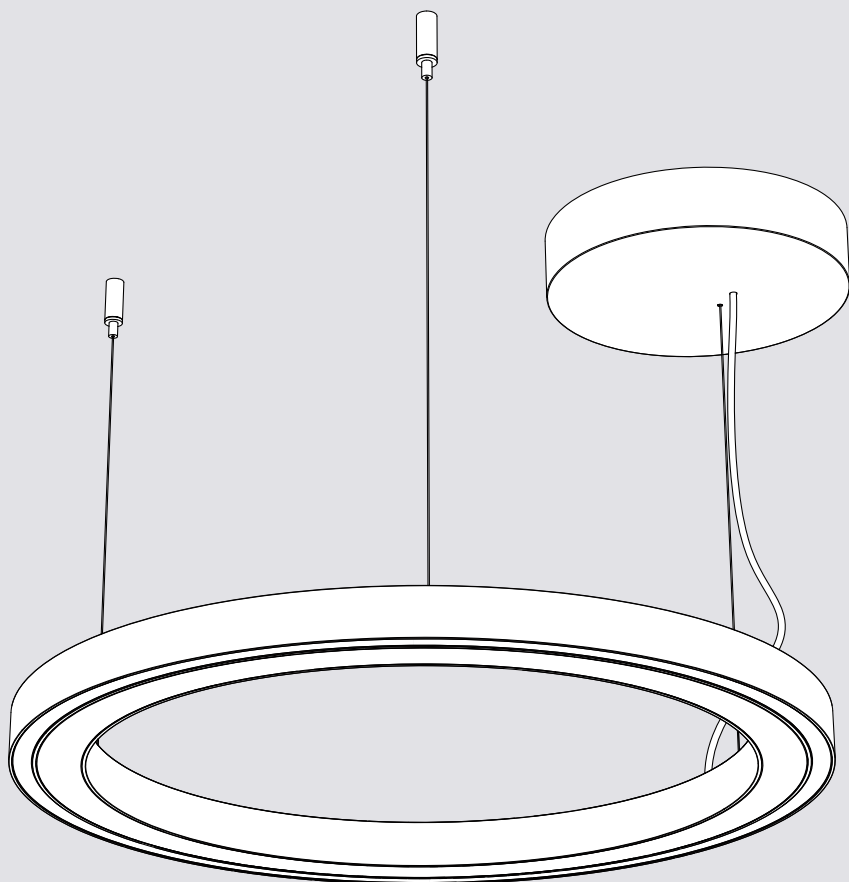


Artemide®

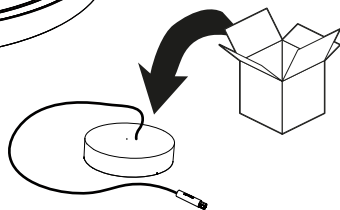
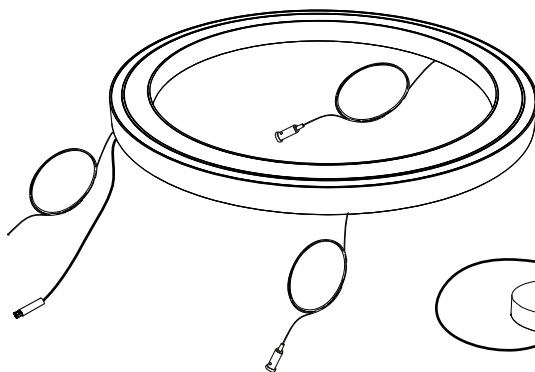
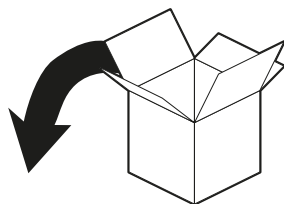
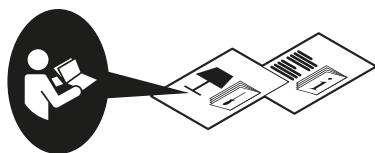
Ripple 50 - 70 - 90

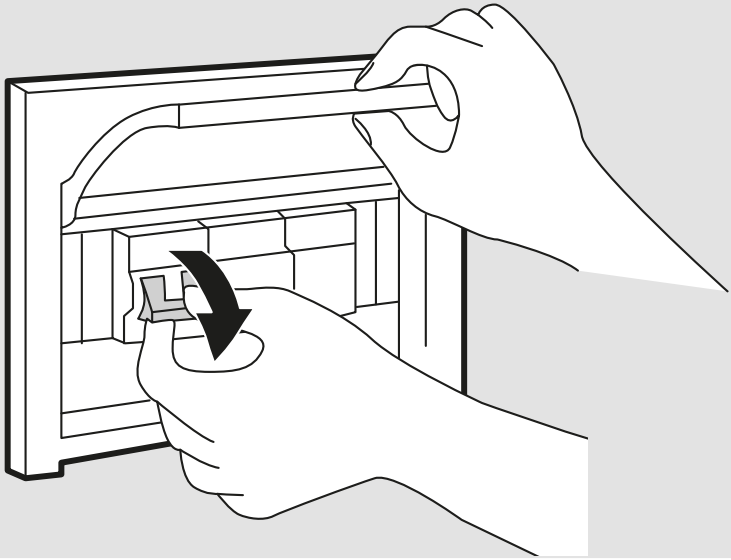
design
BIG



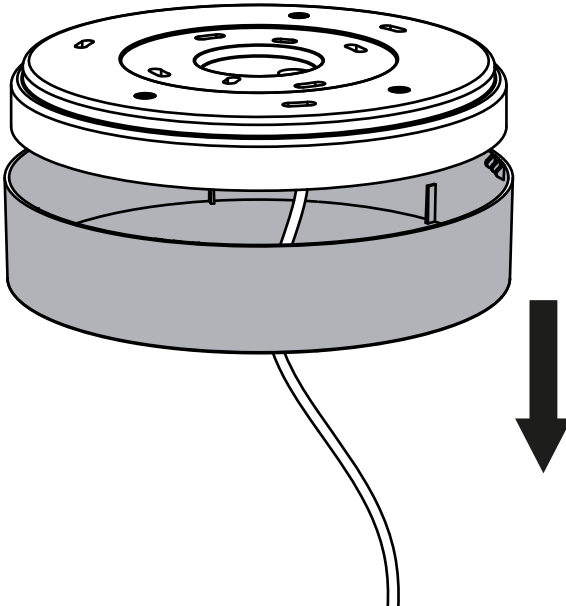


i

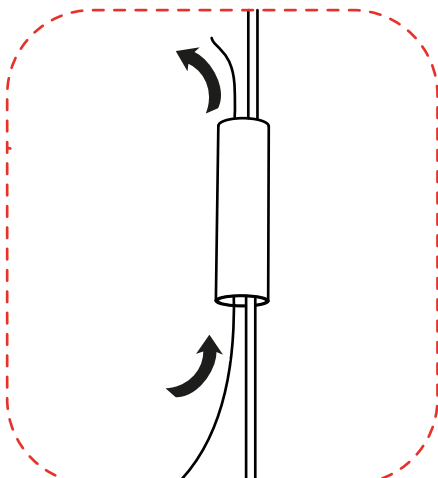
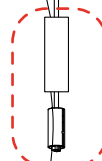
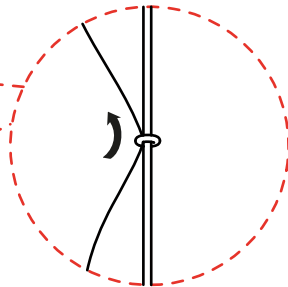
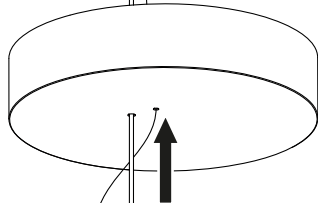
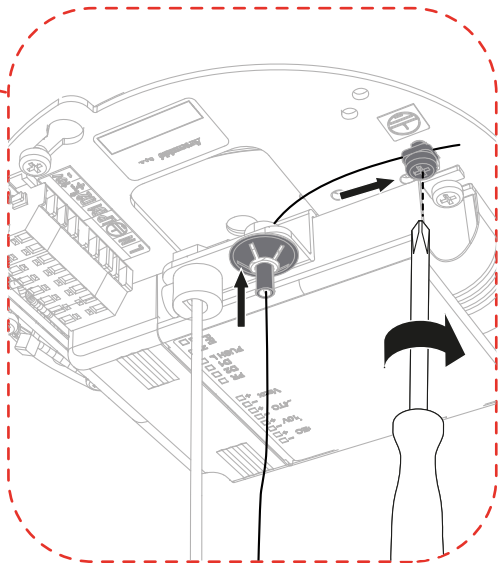
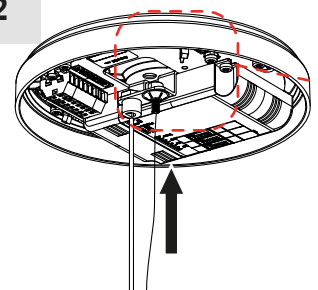


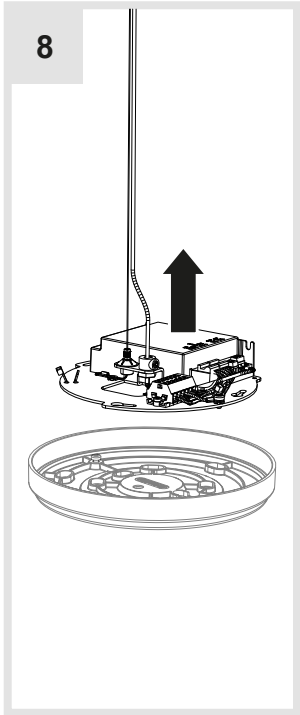
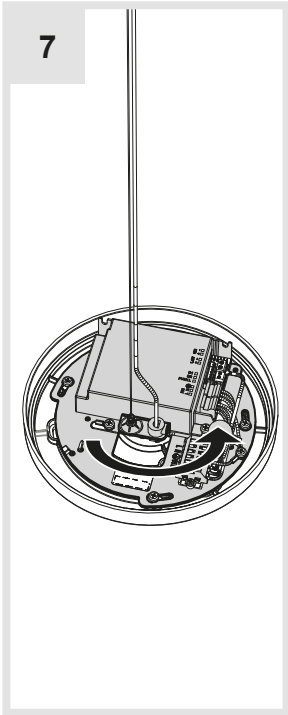
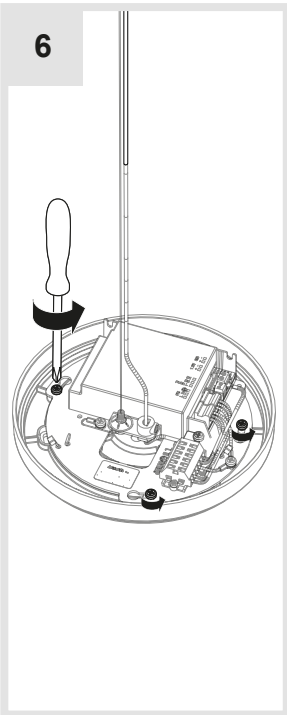
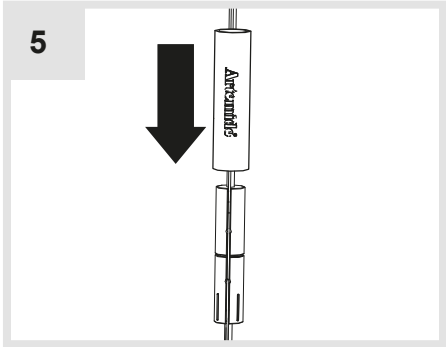
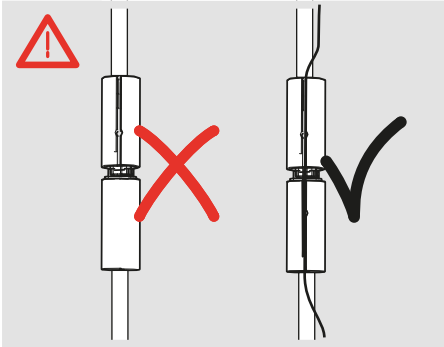
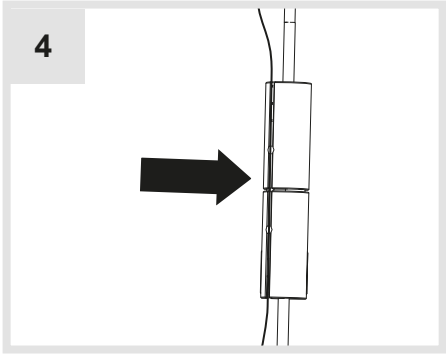
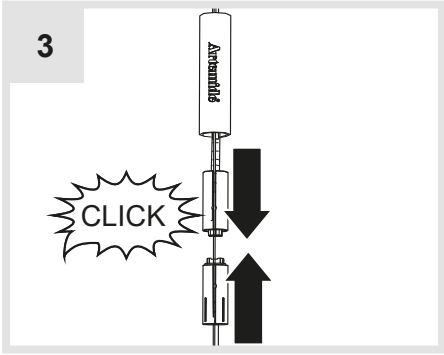


1

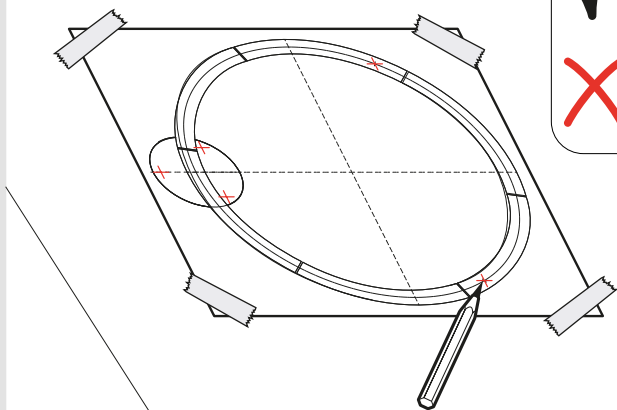



2






9



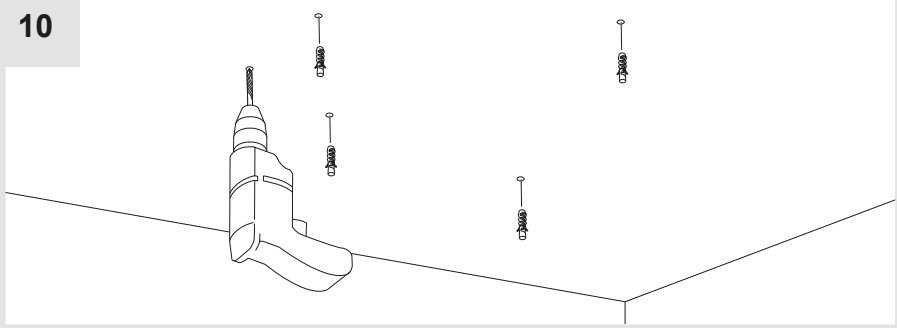
⊕ RIPPLE 50/70/90 

✓ ● 220 V 

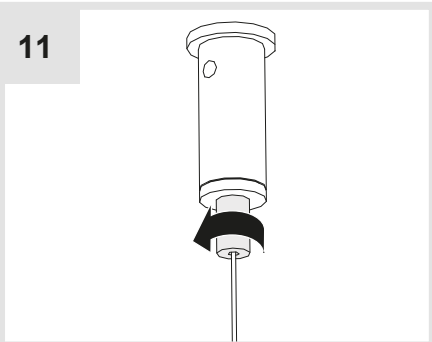
✗ ⊕ CLUSTER

■ 220 V

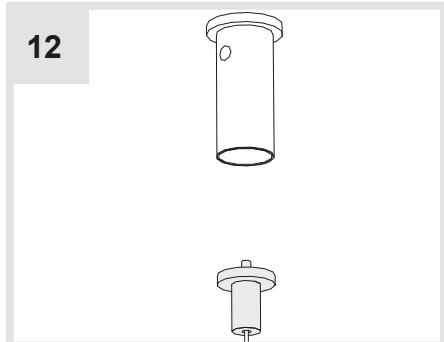
10



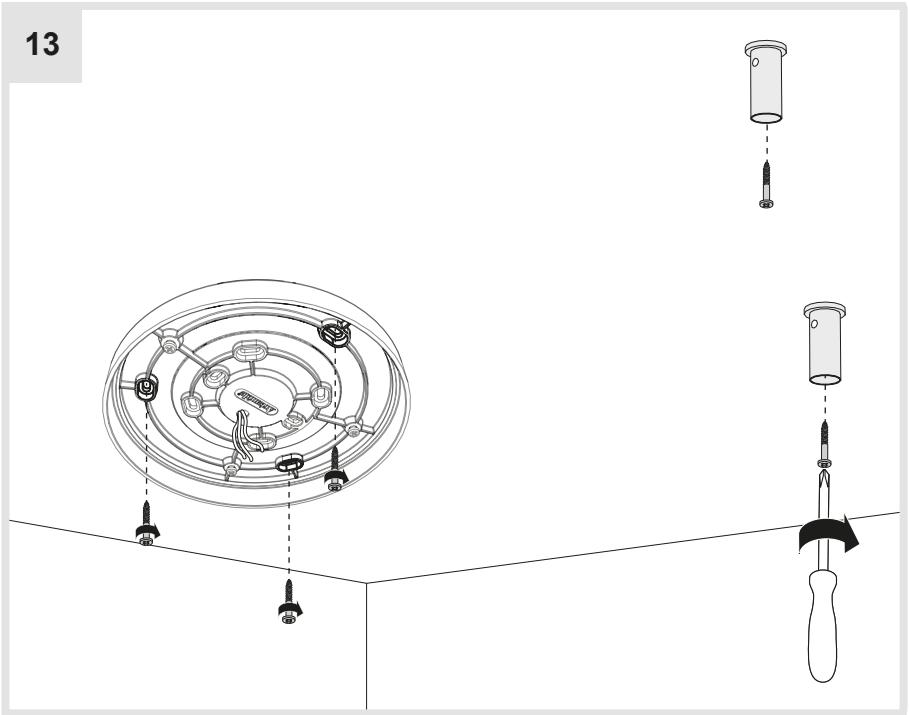
11



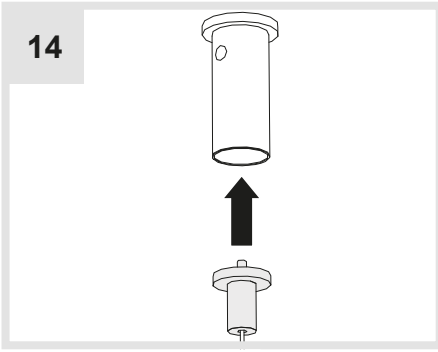
12



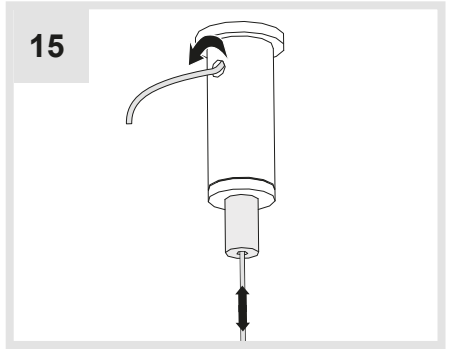
13



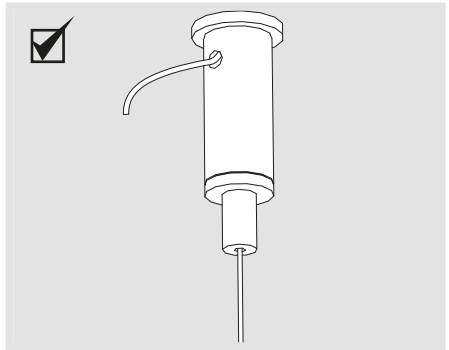
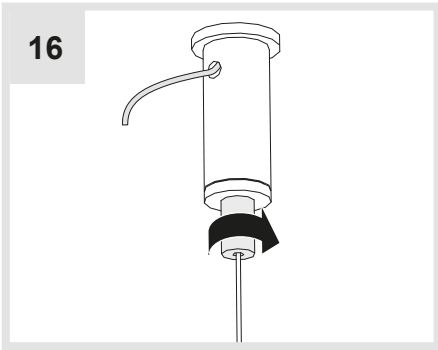
14



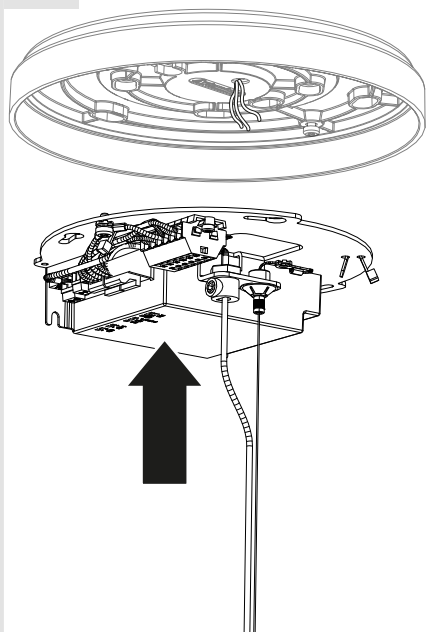
15



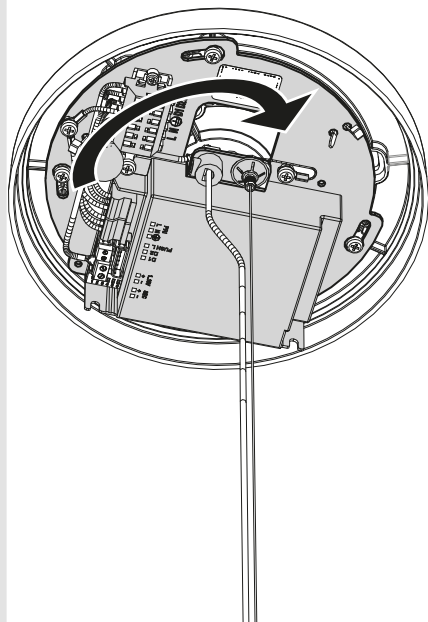
16



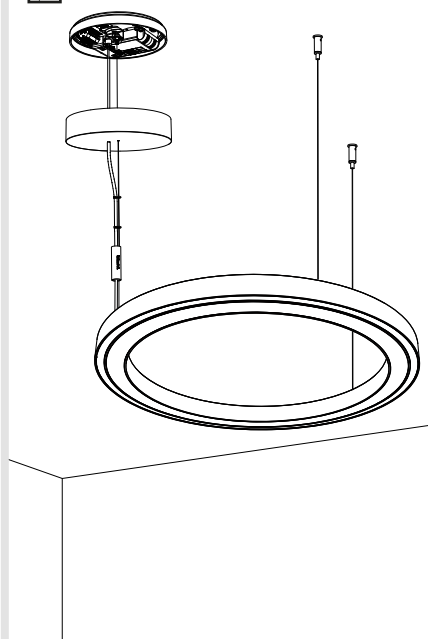
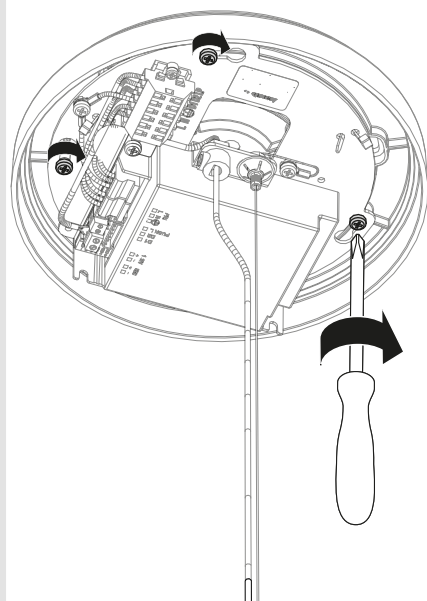
17



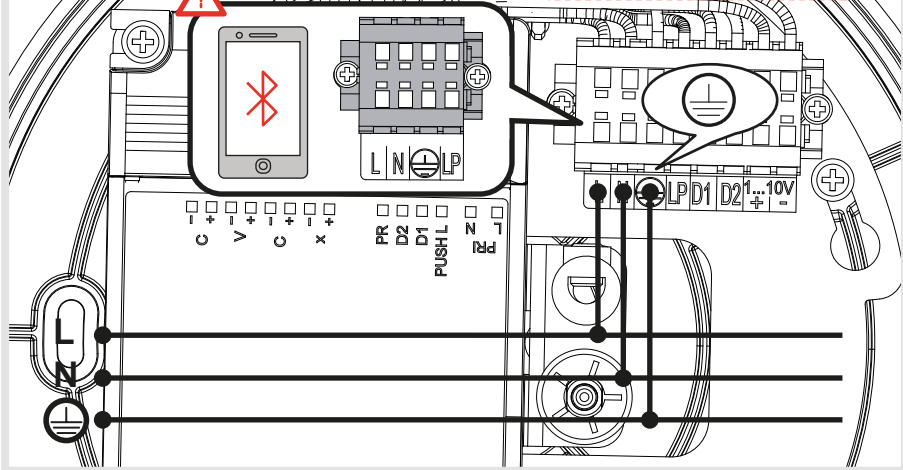
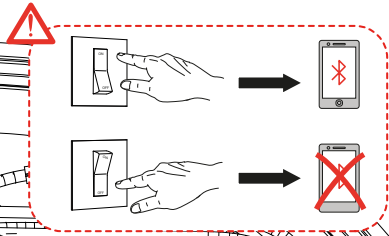
18



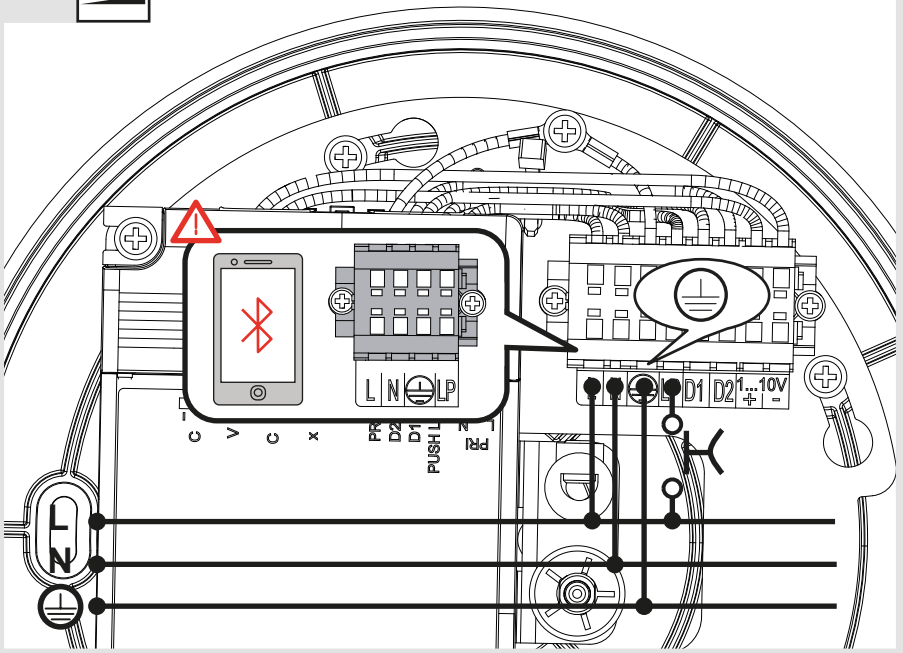
19



22a



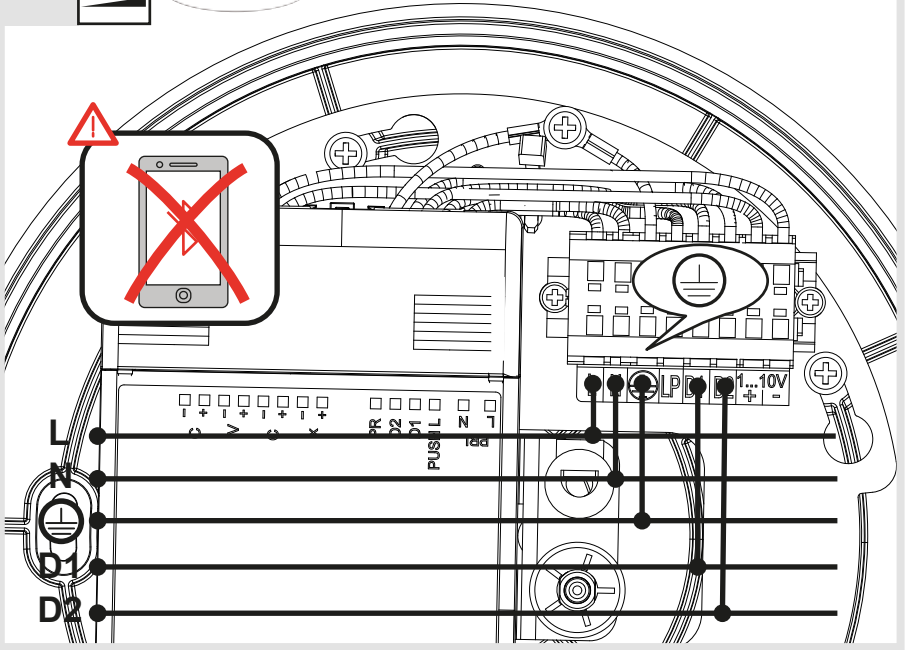
22b



22b



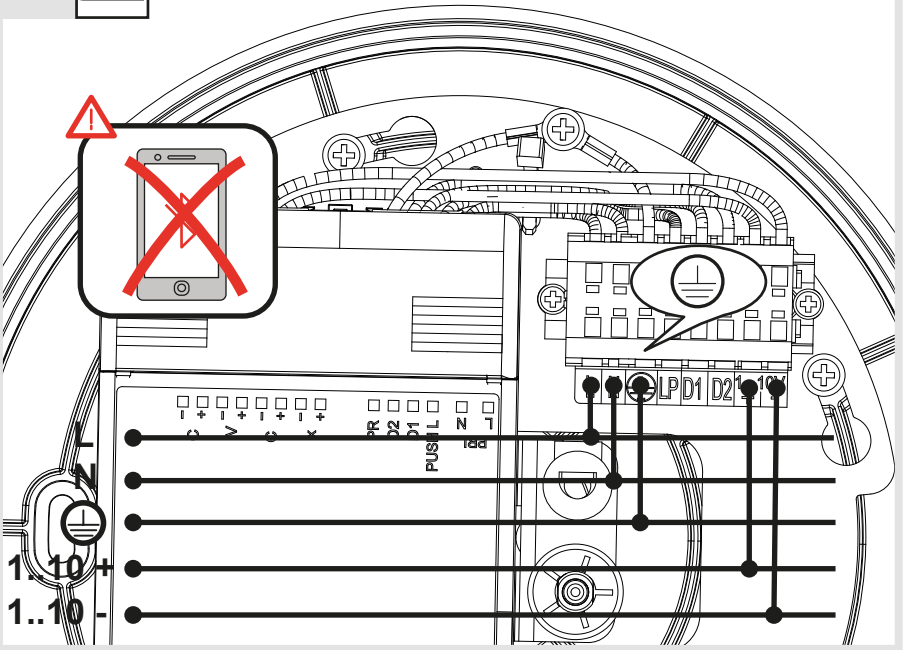
DALI



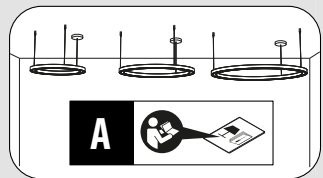
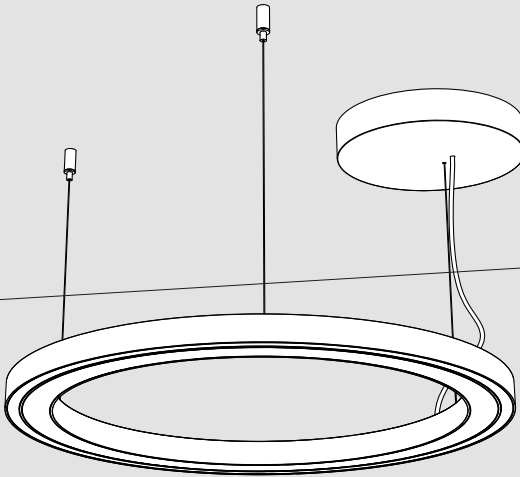
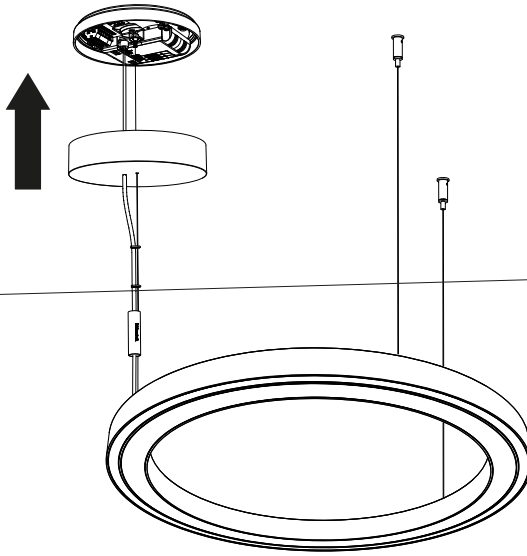
22c



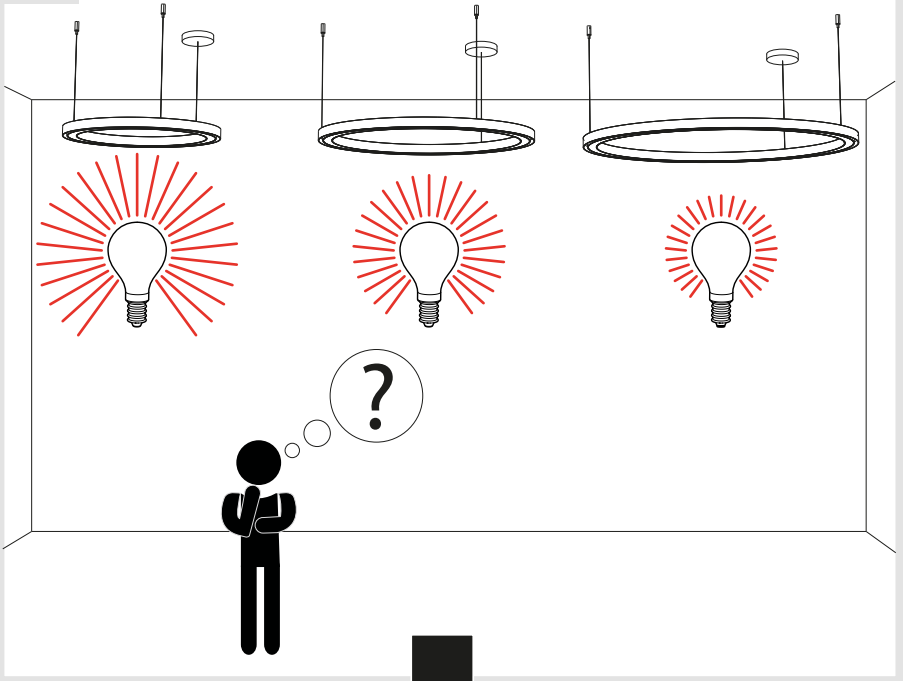
DALI



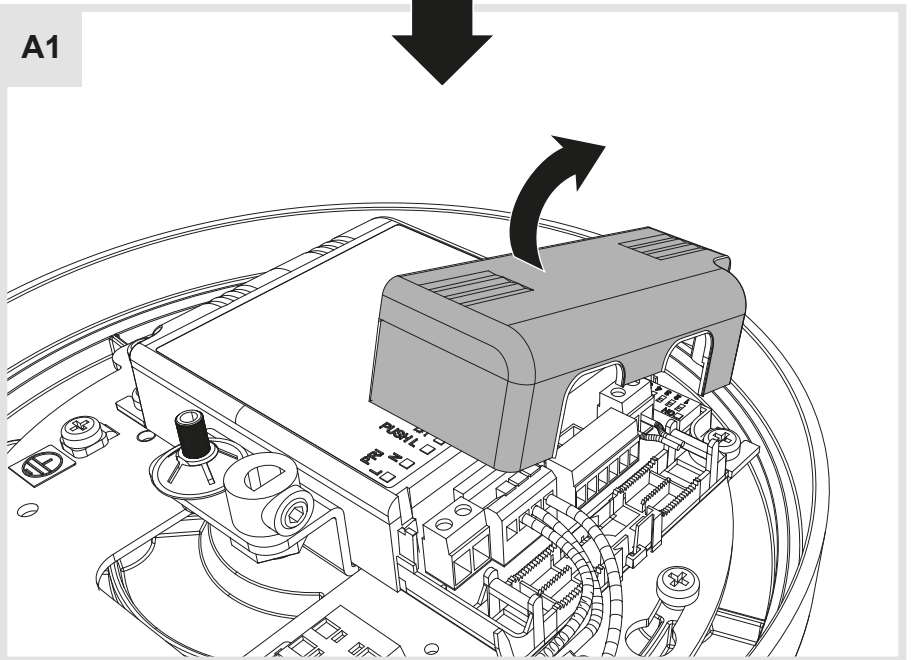
23



A

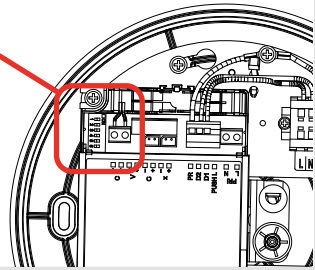


A1

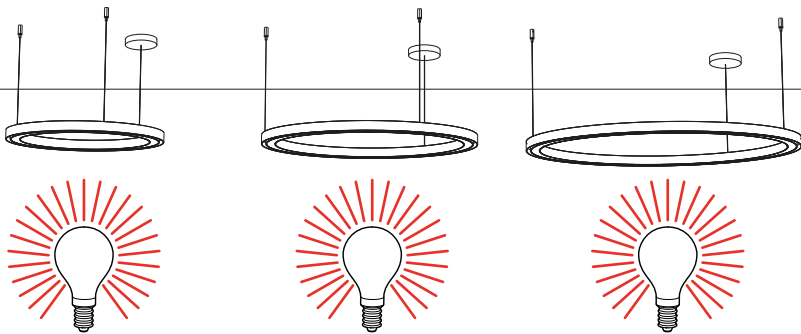


A1

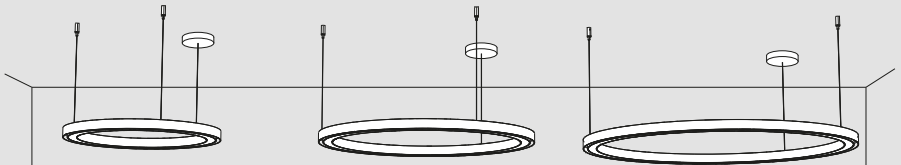
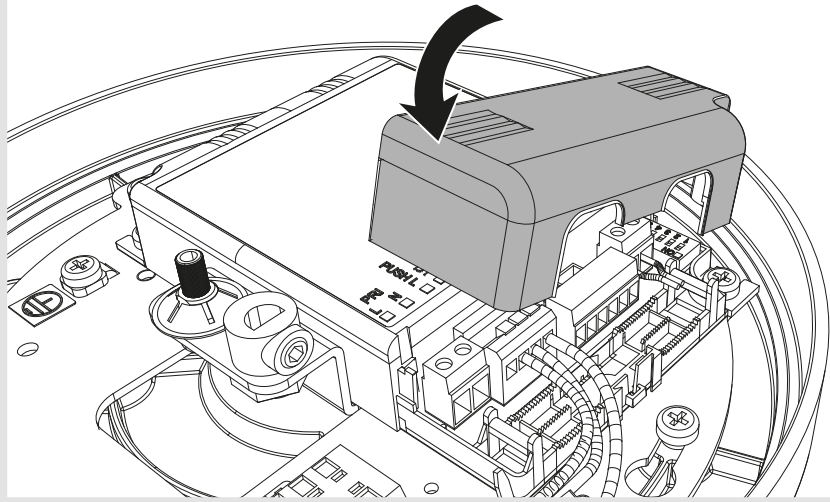
RIPPLE 50	<input type="checkbox"/> ON 1 2 3 4 5 6
RIPPLE 70	<input type="checkbox"/> ON 1 2 3 4 5 6
RIPPLE 90	<input type="checkbox"/> ON 1 2 3 4 5 6

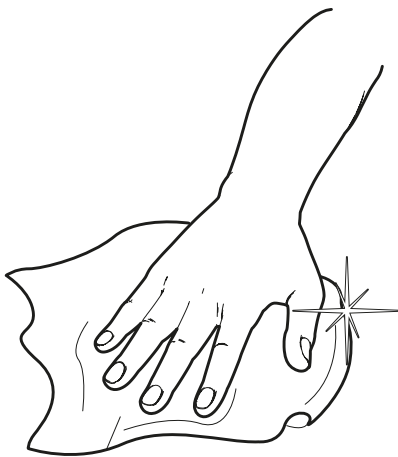
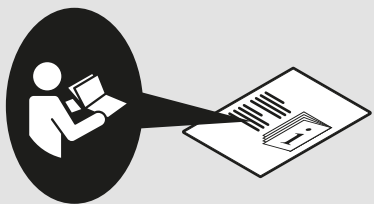


A2

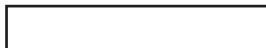


A3





Artemide[®]
ARCHITECTURAL



Artemide

via Bergamo, 18
20010 Pregnana M.se (MI)
ITALIA

tel. +39 02 935 181
fax +39 02 935 90 254
fax +39 02 935 90 496

www.artemide.com

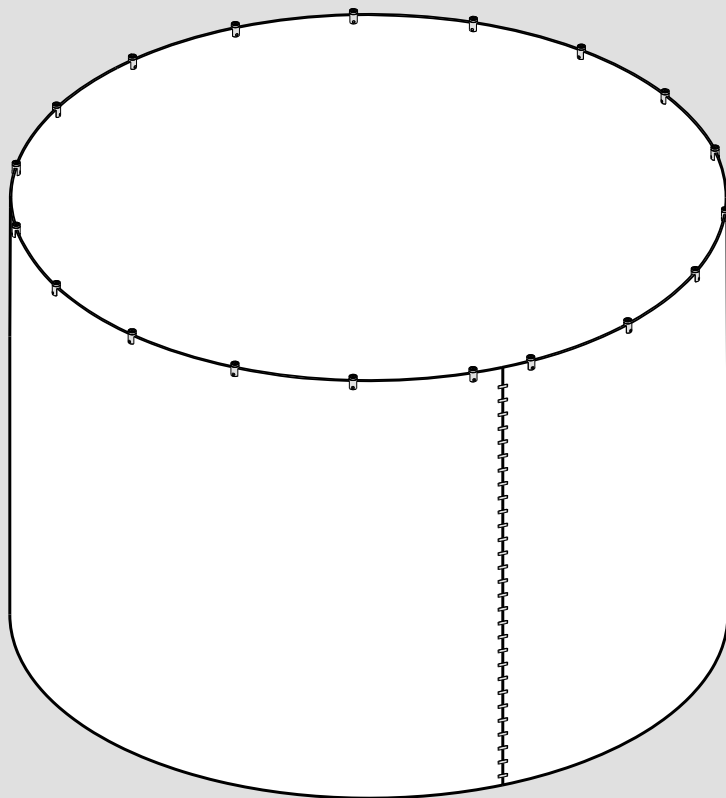
VAT IT00846890150

cod. Y513001304A

Artemide®

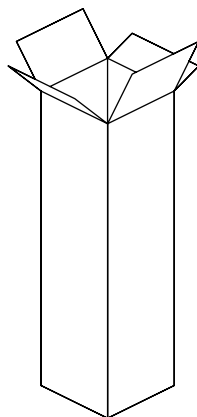
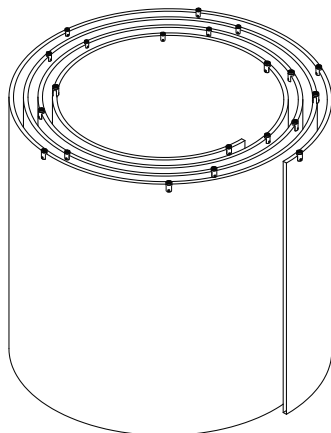
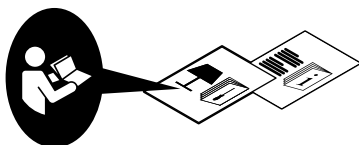
RIPPLE ACCESSORY

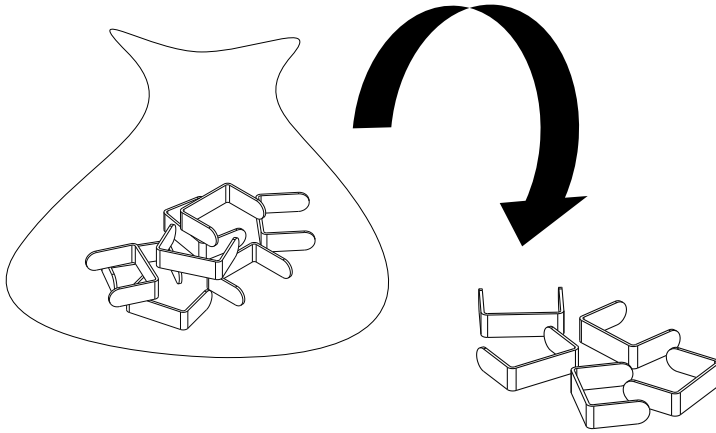
design
BIG



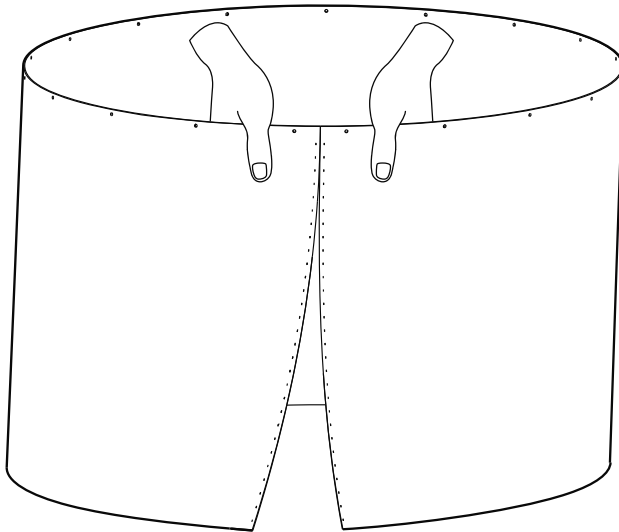


i

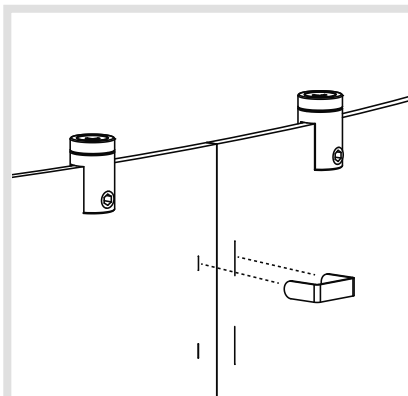
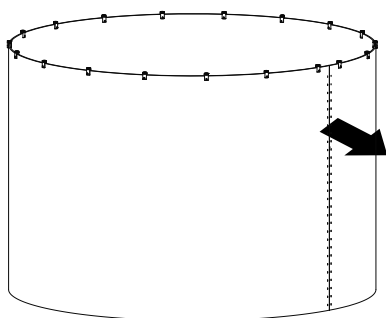




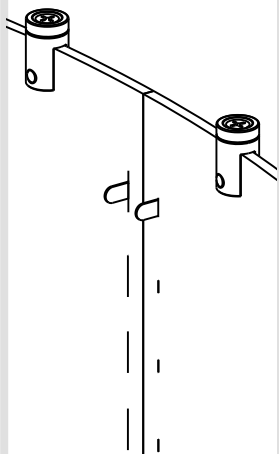
1



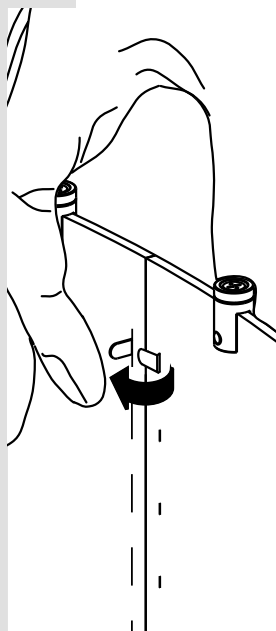
2



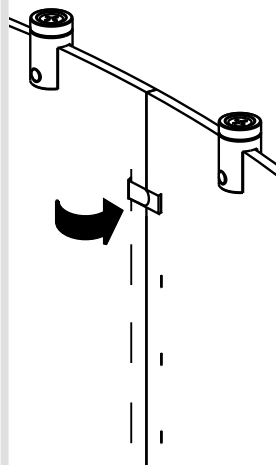
3

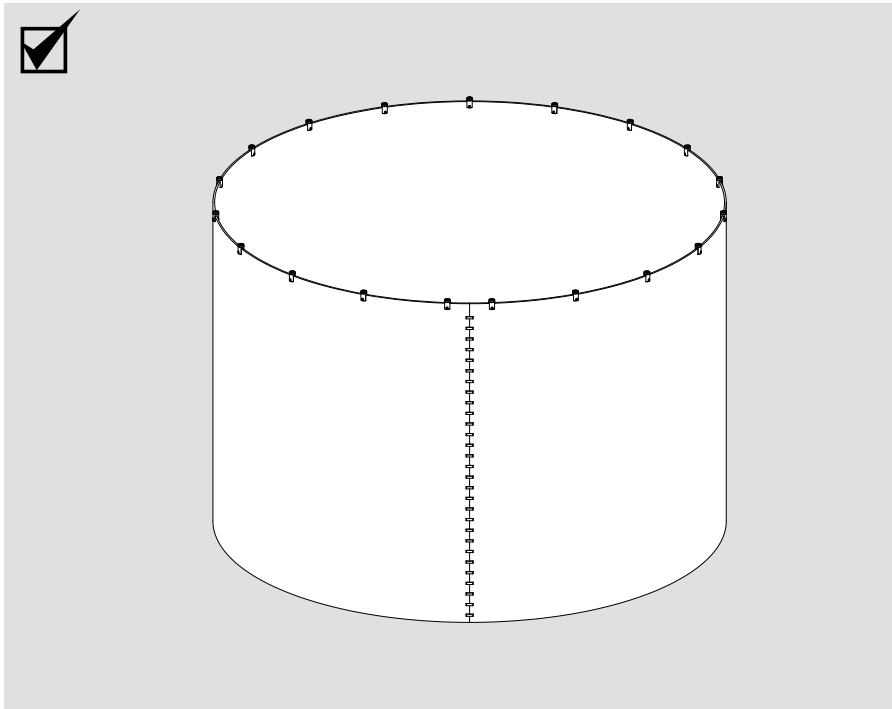
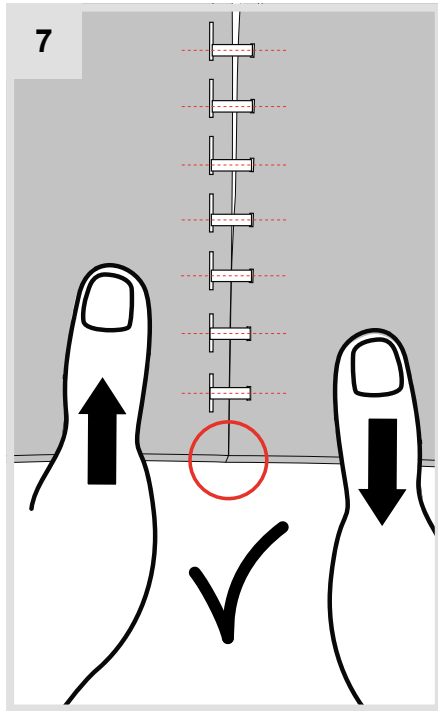
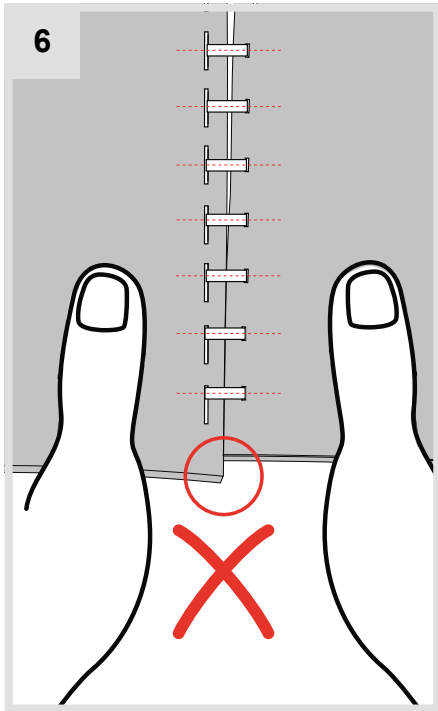


4

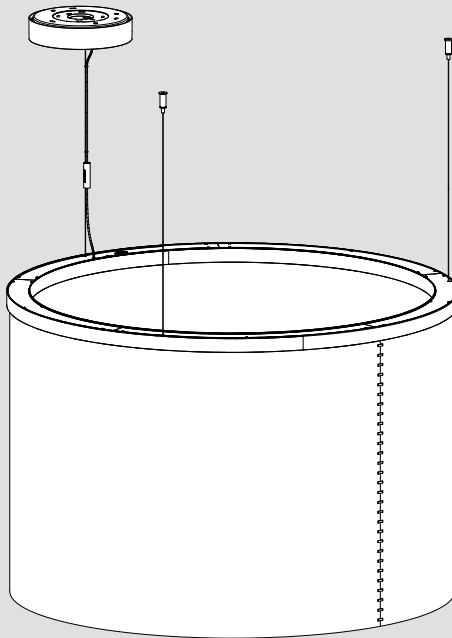
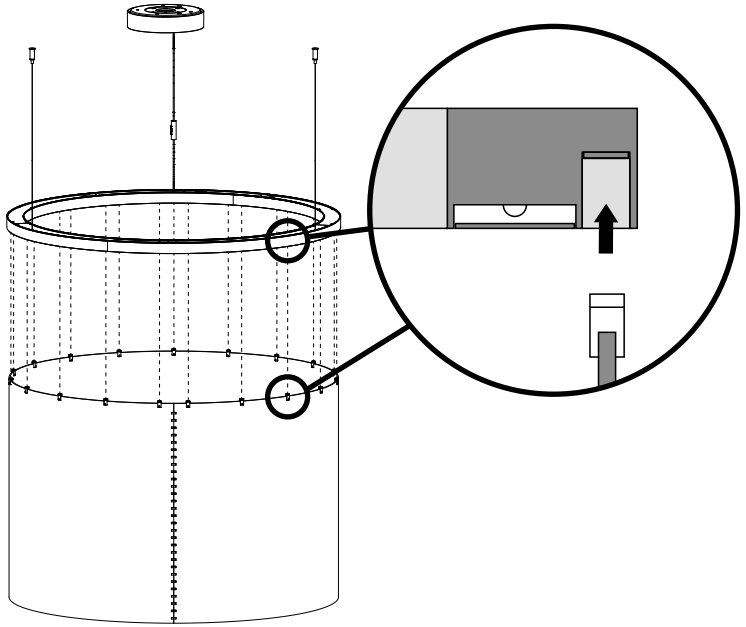


5

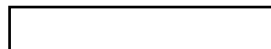




6



Artemide®



Artemide

via Bergamo, 18
20010 Pregnana M.se (MI)
ITALIA

tel. +39 02 935 181
fax +39 02 935 90 254
fax +39 02 935 90 496

www.artemide.com

VAT IT00846890150

cod. Y513001532A