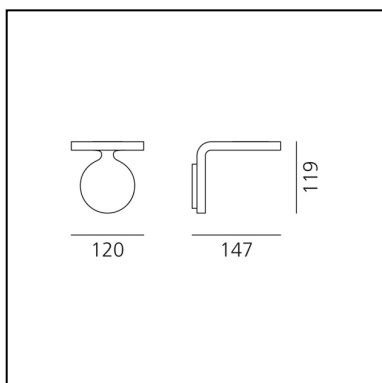


# Rea 12

Neil Poulton



IP20  



## LUMINAIRE

- Watt: **8W**
- Delivered lumen output: **731lm**
- CCT: **3000K**
- Efficiency: **97%**
- Efficacy: **91.37lm/W**
- CRI: **82**

## DESCRIPTION

“Rea is a little reflection of itself, a bending splitting amoeba. Or maybe the Enterprise from Star Trek, if designers were still allowed to be influenced by childhood dreams”. Neil PoultonA decisive yet soft gesture summarizes this small wall lamp, available in two sizes (120 and 170mm). two equal and perpendicular discs act as wall support and host the LED optics, which diffuse indirect light with a 90% performance level.

## FEATURES

- Product Code: **1614010A**
- Colour: **White**
- Installation: **Wall**
- Material: **Aluminium**
- Series: **Design Collection**
- Environment: **Indoor**
- design by: **Neil Poulton**

## DIMENSIONS

- Length: **120 mm**
- Width: **147 mm**
- Height: **119 mm**

## SOURCES INCLUDED

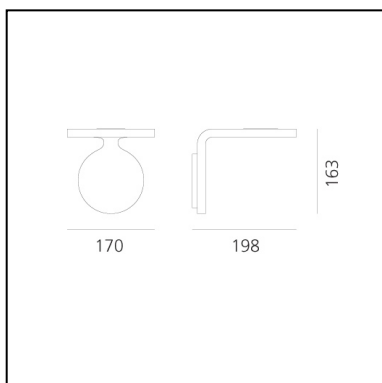
- Category: **Led**
- Number: **1**
- Watt: **9W**
- Color temperature (K): **3000K**
- CRI: **80**

# Rea 17

Neil Poulton



IP20    



## LUMINAIRE

- Watt: **20W**
- Delivered lumen output: **1826lm**
- CCT: **3000K**
- Efficiency: **97%**
- Efficacy: **91.28lm/W**
- CRI: **82**

## DESCRIPTION

"Rea is a little reflection of itself, a bending splitting amoeba. Or maybe the Enterprise from Star Trek, if designers were still allowed to be influenced by childhood dreams". Neil PoultonA decisive yet soft gesture summarizes this small wall lamp, available in two sizes (120 e 170mm). two equal and perpendicular discs act as wall support and host the LED optics, which diffuse indirect light with a 90% performance level.

## FEATURES

- Product Code: **1615010A**
- Colour: **White**
- Installation: **Wall**
- Material: **Aluminium**
- Series: **Design Collection**
- Environment: **Indoor**
- design by: **Neil Poulton**

## DIMENSIONS

- Length: **170 mm**
- Width: **198 mm**
- Height: **163 mm**
- Glow Wire Test: **850°**

## SOURCES INCLUDED

- Category: **Led**
- Number: **1**
- Watt: **20W**
- Delivered lumen output: **1950lm**
- Color temperature (K): **3000K**
- CRI: **80**
- Efficacy: **98lm/W**