

# PROJECTEUR 165 WALL CEILING

*Le Corbusier*

Between 1951 and 1957, Le Corbusier designed the Sanskar Kendra Museum, a museum in the Indian city of Ahmedabad. The spiralshaped building contains all the fundamentals of his architecture. For this project, in 1954 Le Corbu conceived a lighting system he named “Projecteur”, installed in the structure to maximise the lighting effect.



## LED/FLUO

### LAMPING

Source	E27
Total power	23W
Emission	direct, spot
Switching	dimnable, according to bulb
Tension	230V
IP class	20
Dimensions	ø17x18
Materials	aluminium
Notes	orientable, max bulb H11cm
Net lamp weight	0,8 kg

### Codes

PRP FDW 31  
PRP FWS 31  
PRP FMW 31

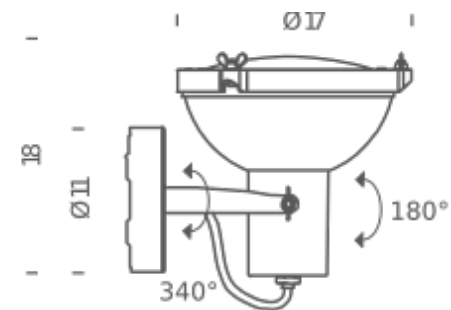
### Structure

night blue  
white sand  
moka

### PACKAGE

Package 01 Dimension: 26x26x26 cm / Gross weight: 1,2 kg

### Certificazioni



## LED/FLUO IP44

### LAMPING

Source	E27
Total power	23W
Emission	direct, spot
Switching	dimmbare, according to bulb
Tension	230V
IP class	44
Dimensions	ø17x18
Materials	aluminium
Net lamp weight	0,8 kg

### Codes

PRP FDW 32  
PRP FWS 32  
PRP FMW 32

### Structure

night blue  
white sand  
moka

### PACKAGE

Package 01 Dimension: 26x26x26 cm / Gross weight: 1,2 kg

### Certificazioni

