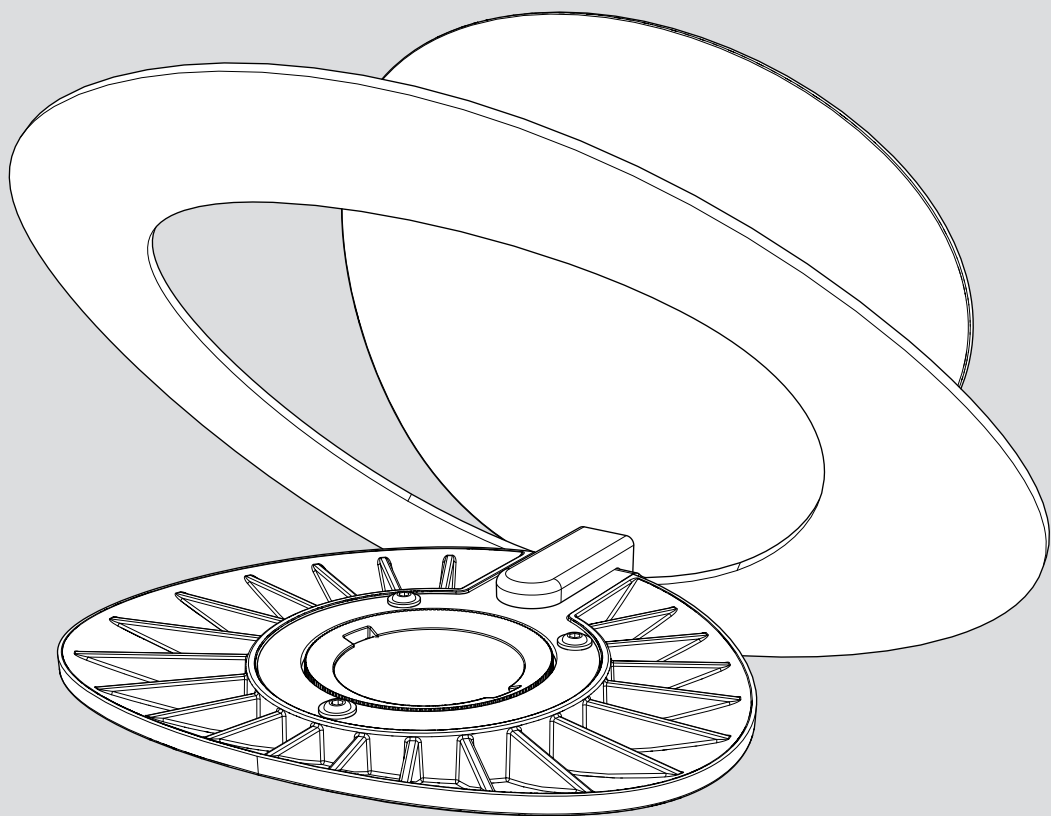


Artemide®

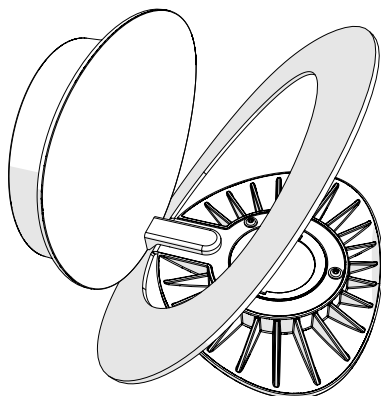
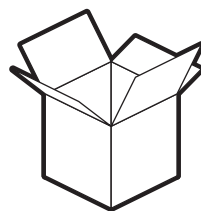
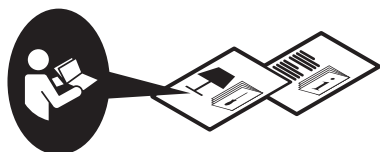
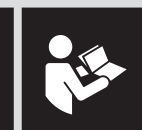
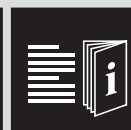
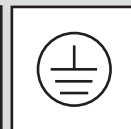
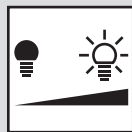
Pirce micro

design
G. M. Scutellà

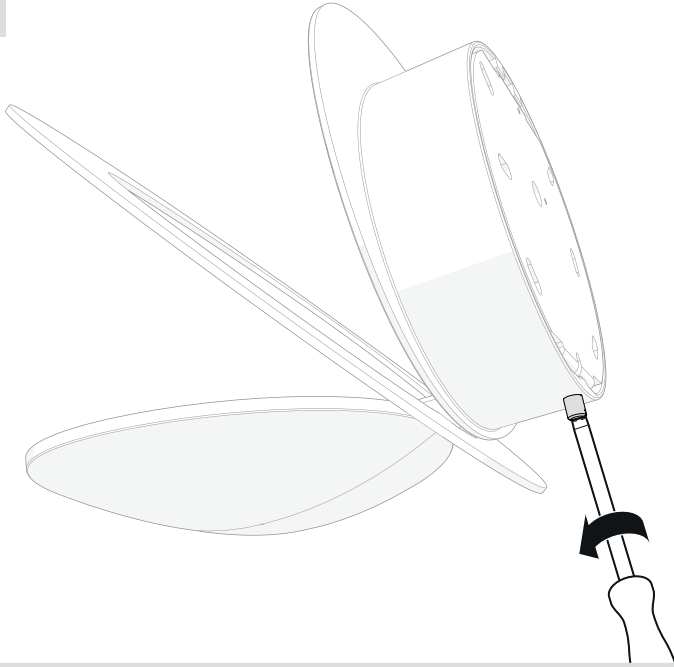




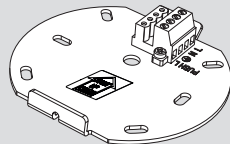
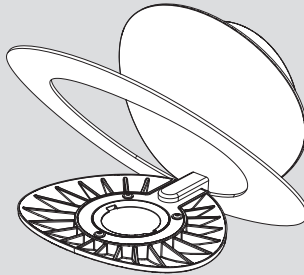
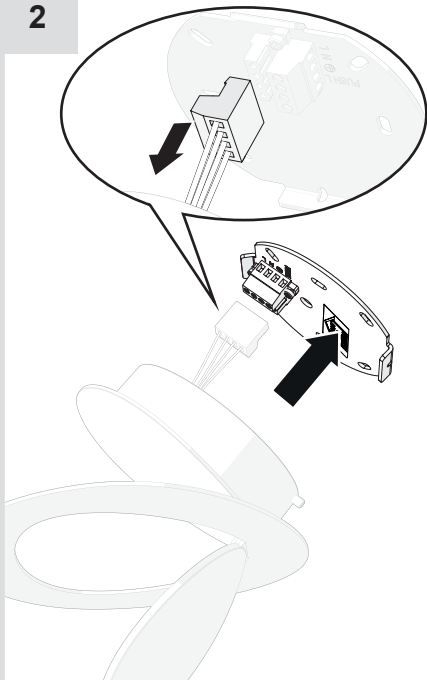
i

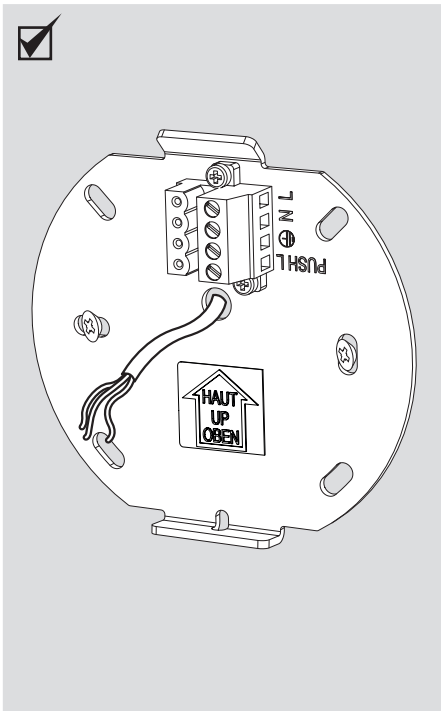
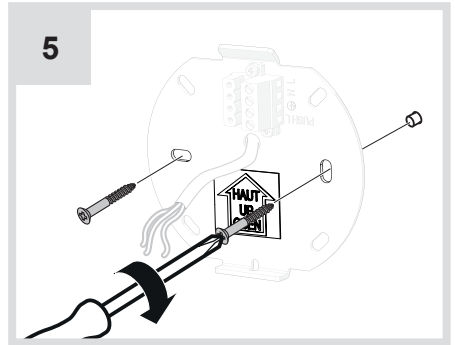
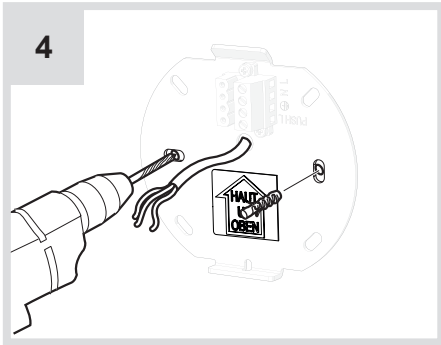
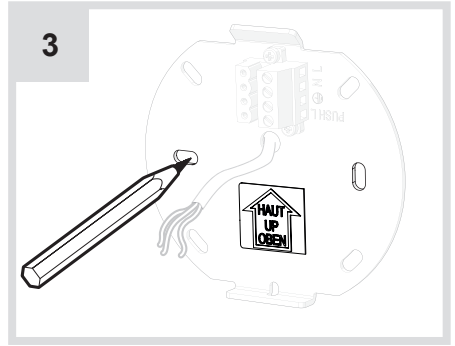
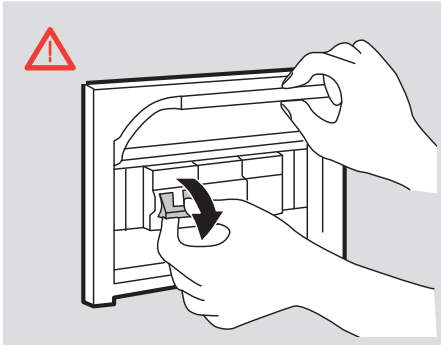


1

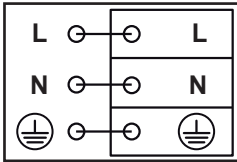
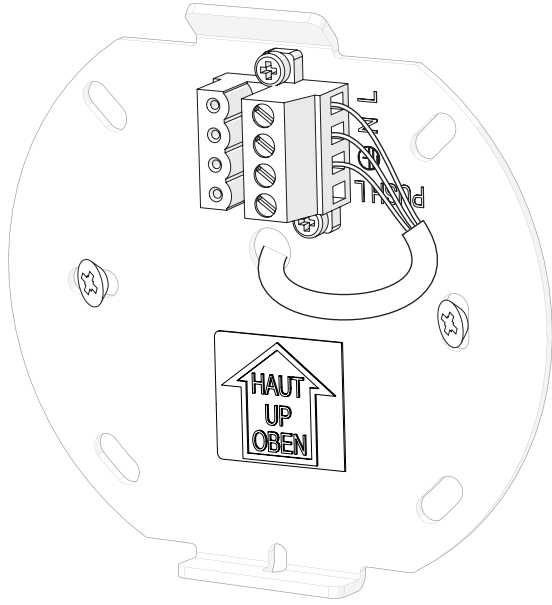


2

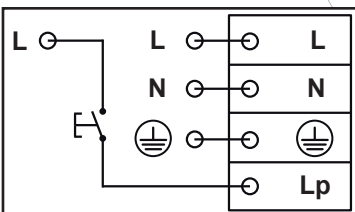
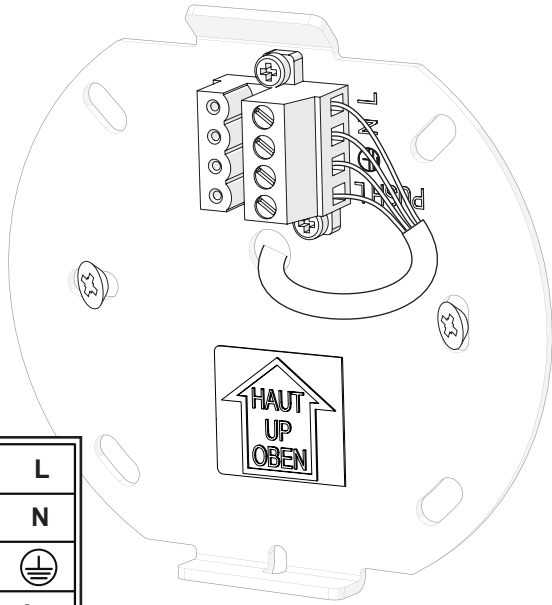




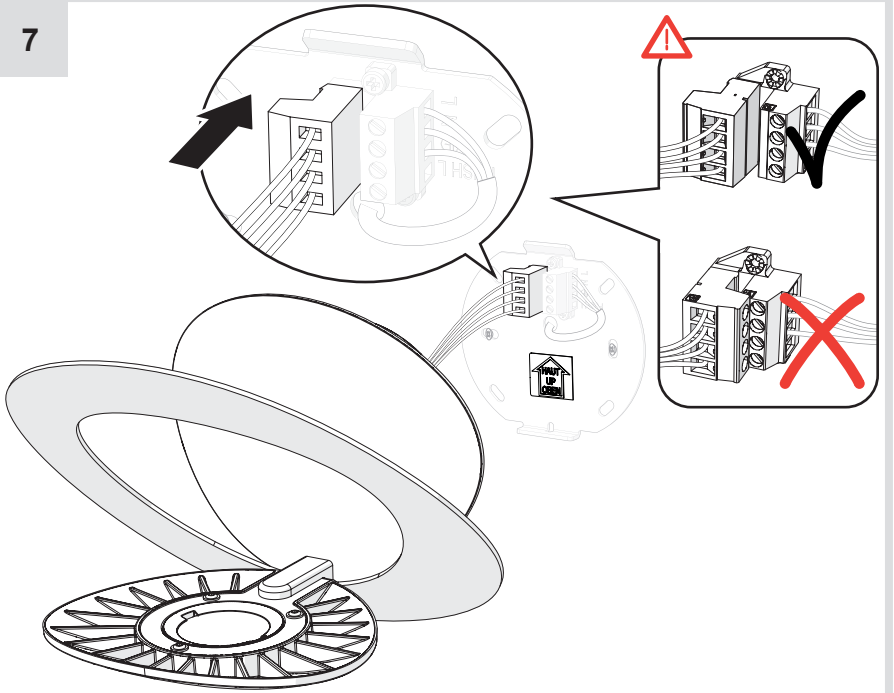
6a



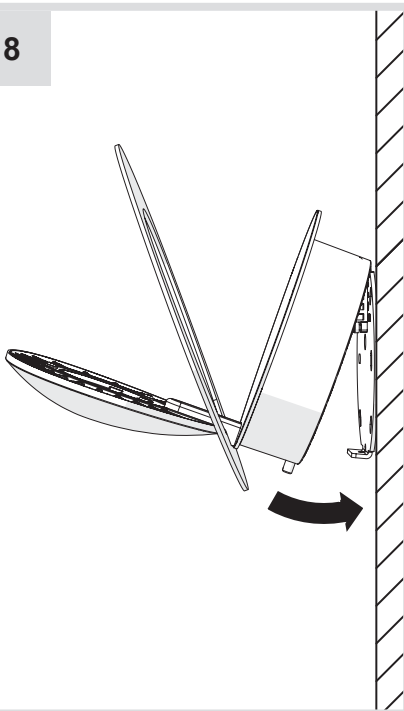
6b



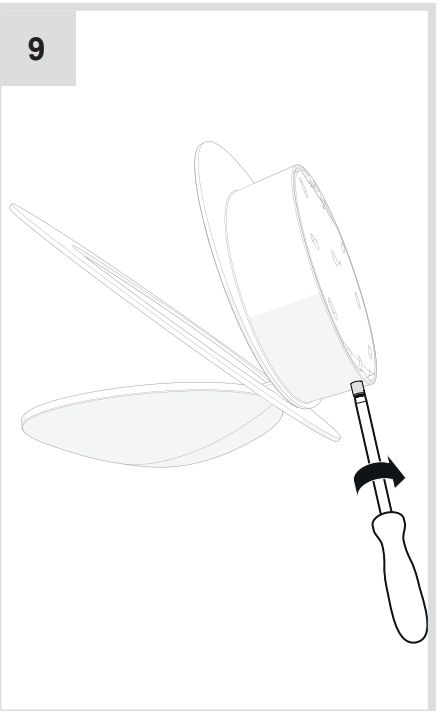
7

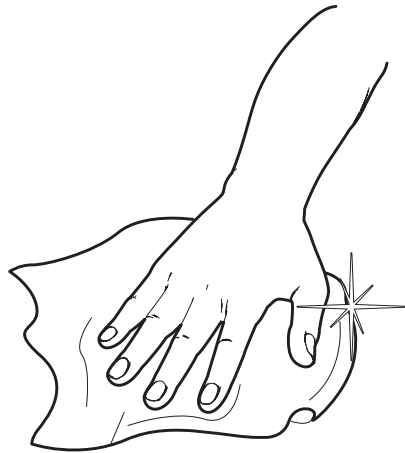
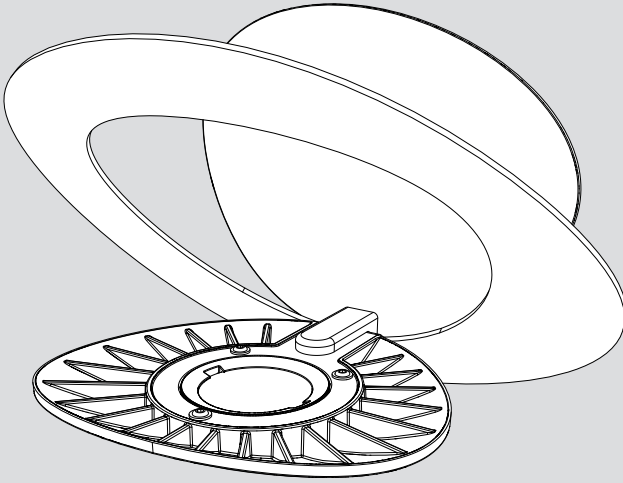


8



9





Artemide®



Artemide

via Bergamo, 18
20010 Pregnana M.se (MI)
ITALIA

tel. +39 02 935 181
fax +39 02 935 90 254
fax +39 02 935 90 496

www.artemide.com

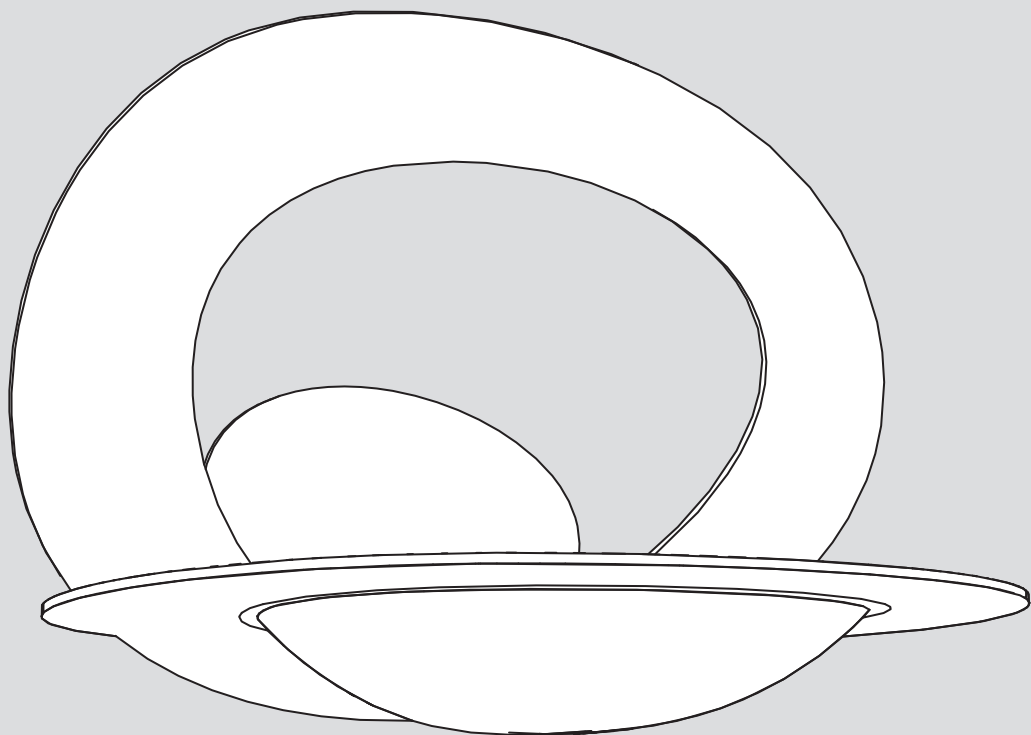
VAT IT00846890150

cod. Y513000388

Artemide®

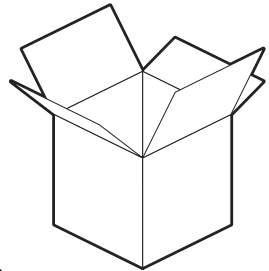
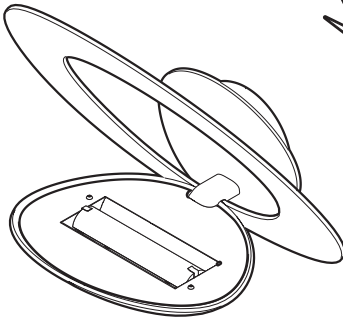
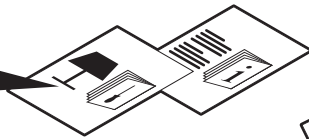
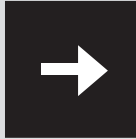
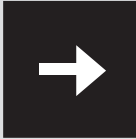
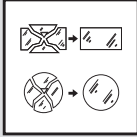
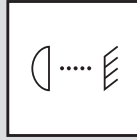
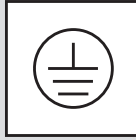
Pirce

design
G. M. Scutellà

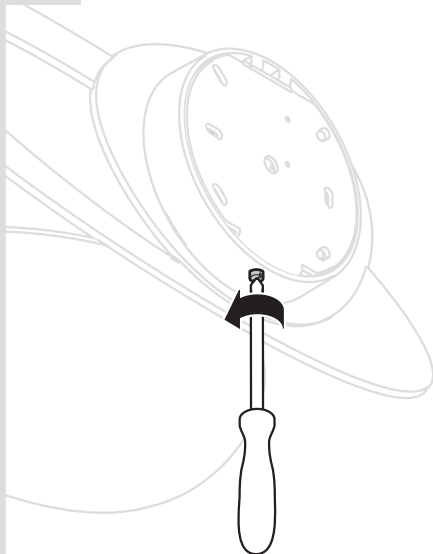




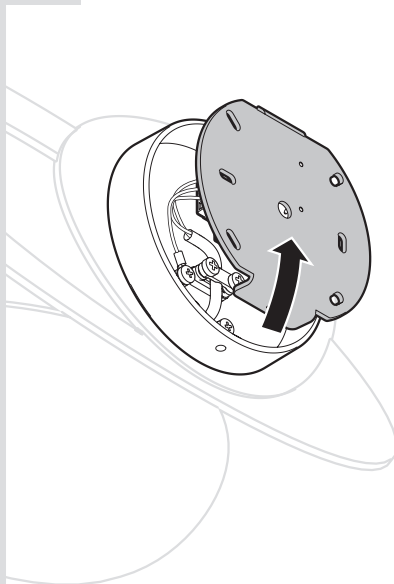
i



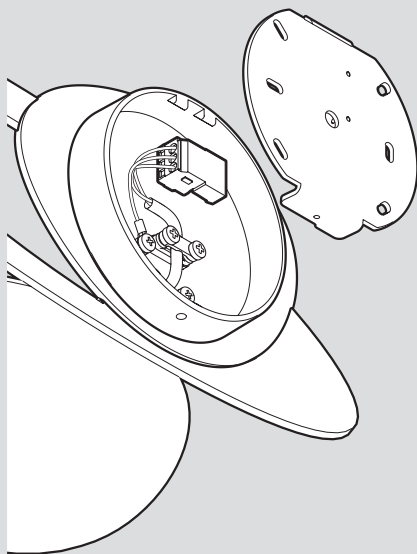
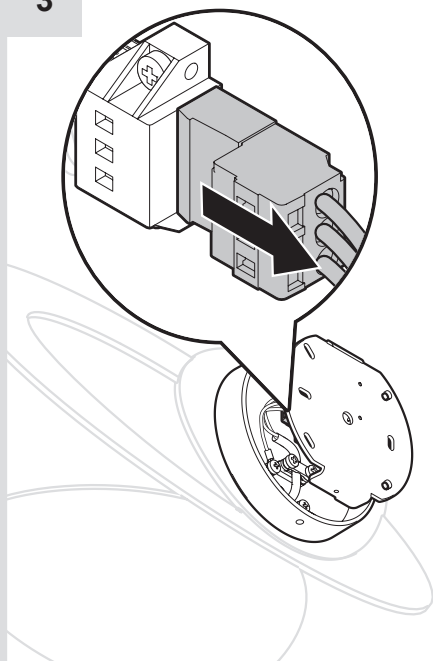
1

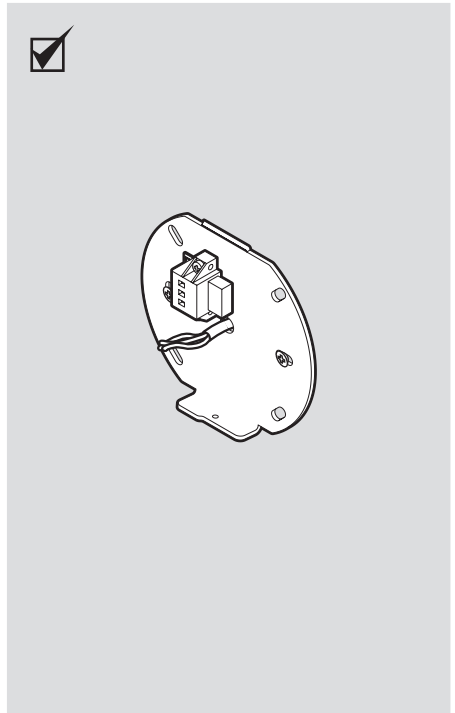
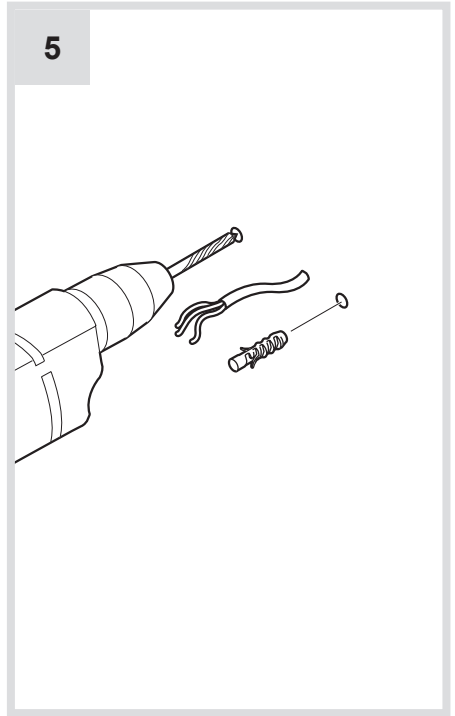
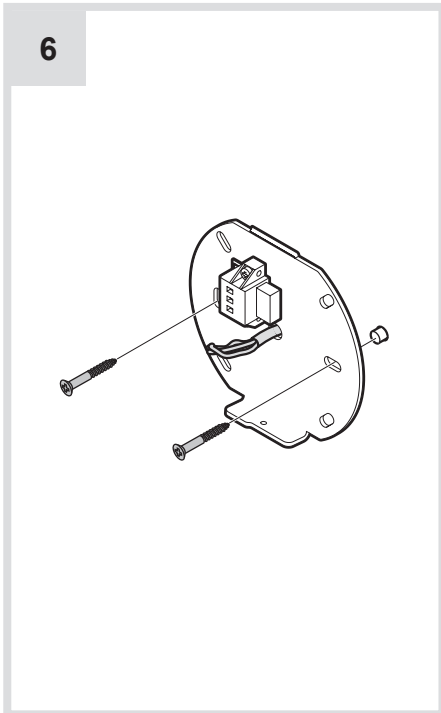
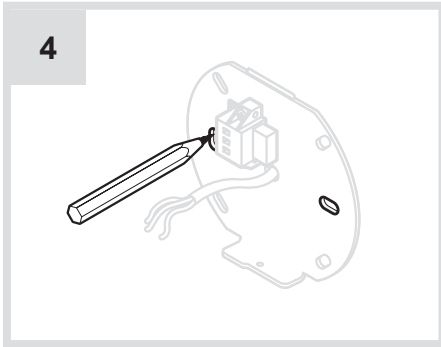
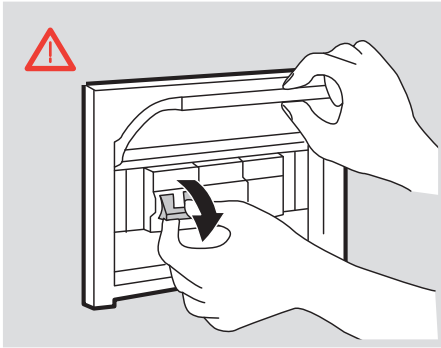


2

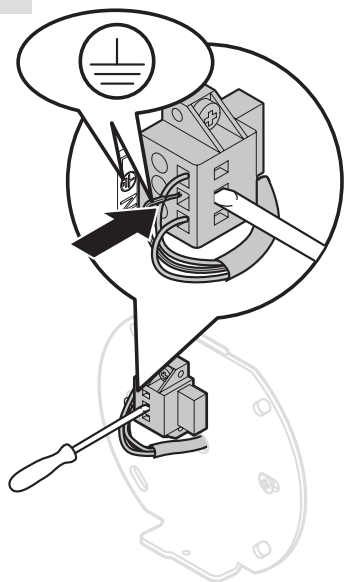


3

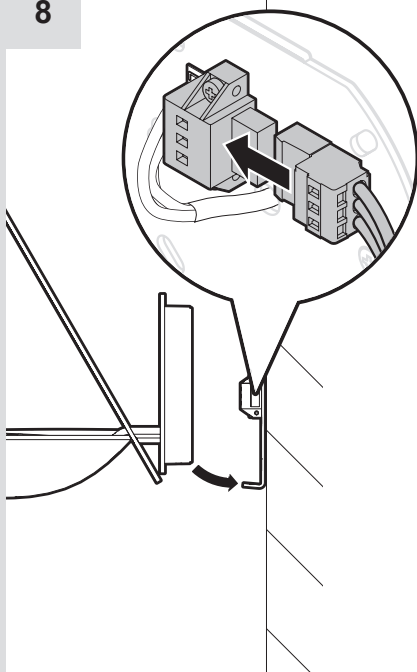




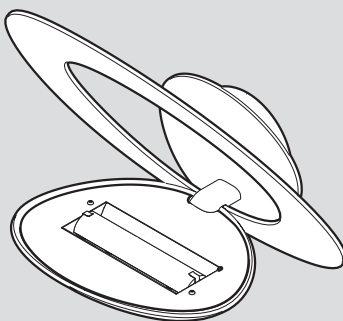
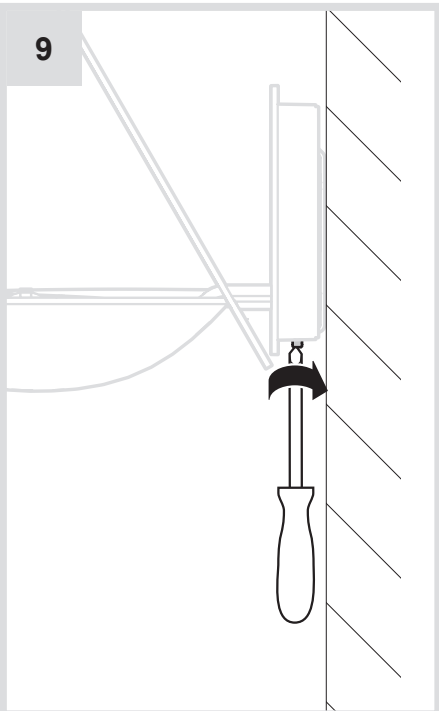
7



8

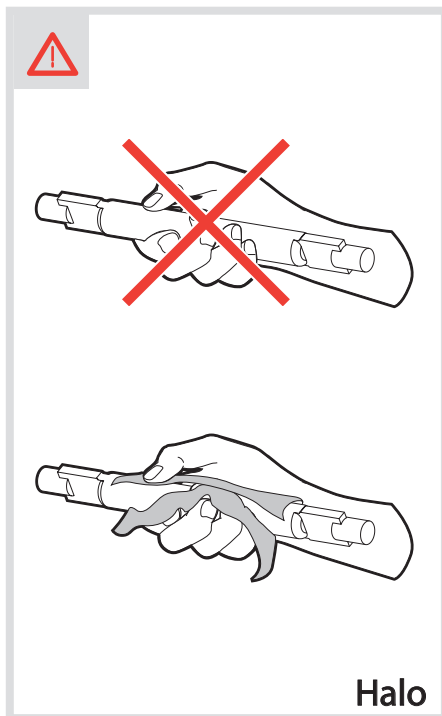
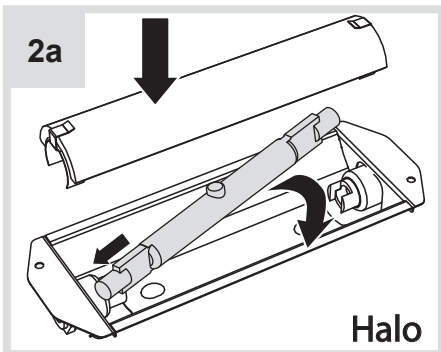
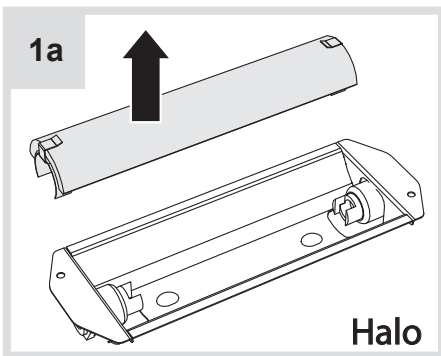
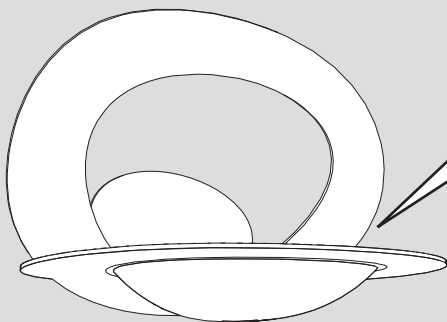
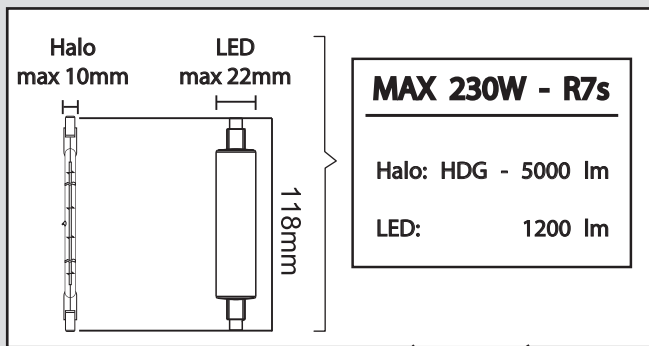


9

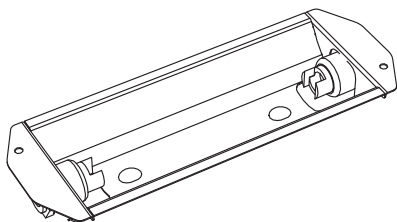
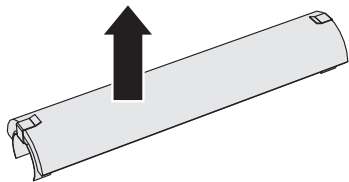




i

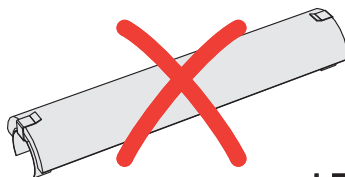
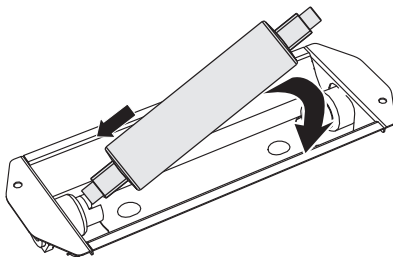


1b



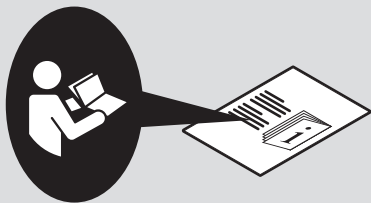
LED

2b

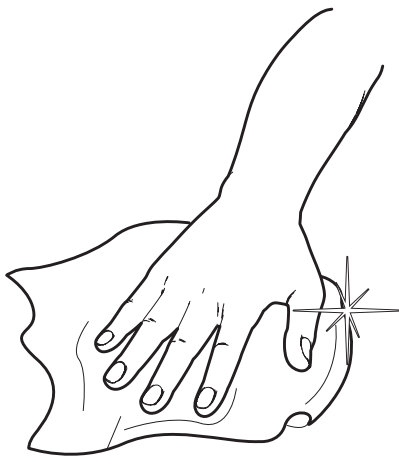


LED

i



1



Artemide®



Artemide

via Bergamo, 18
20010 Pregnana M.se (MI)
ITALIA

tel. +39 02 935 181
fax +39 02 935 90 254
fax +39 02 935 90 496

www.artemide.com

VAT IT00846890150

cod. Y513000521