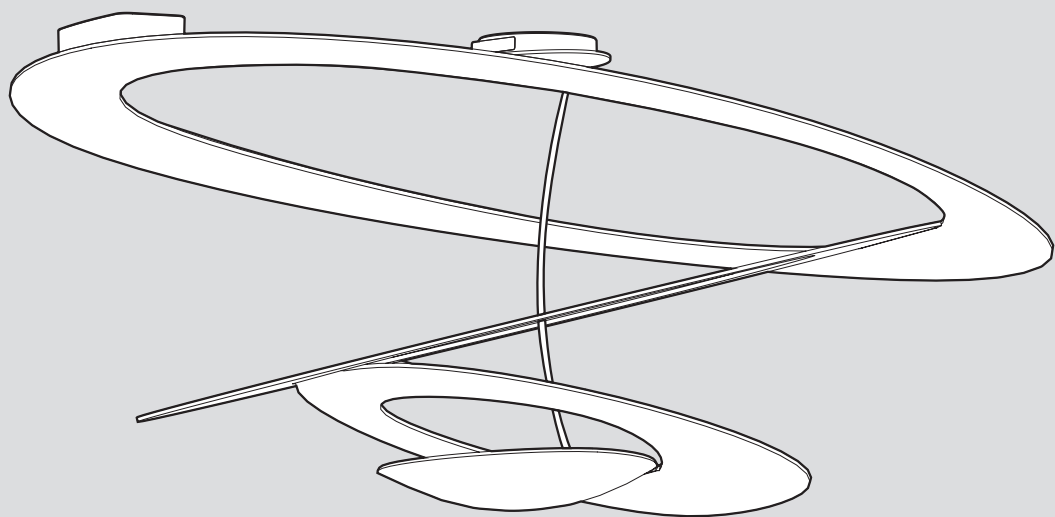


Artemide®

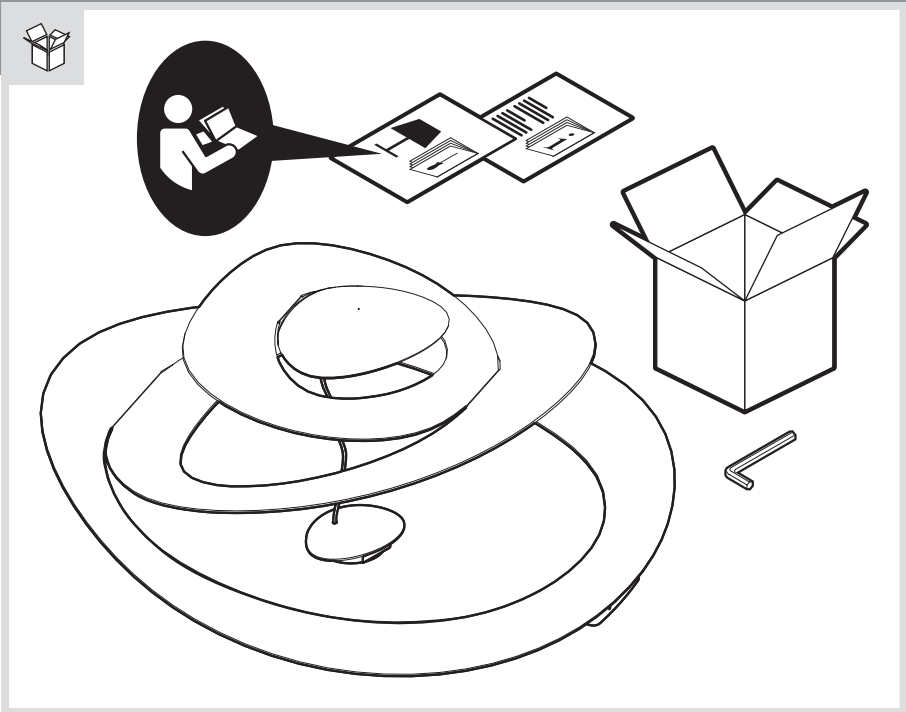
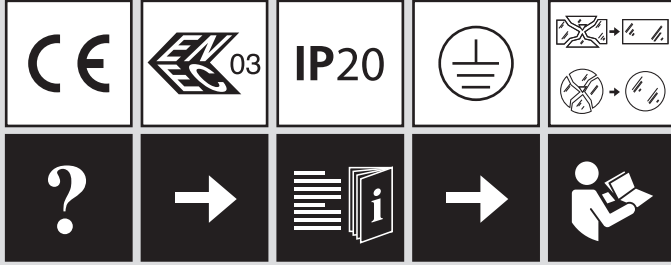
Pirce

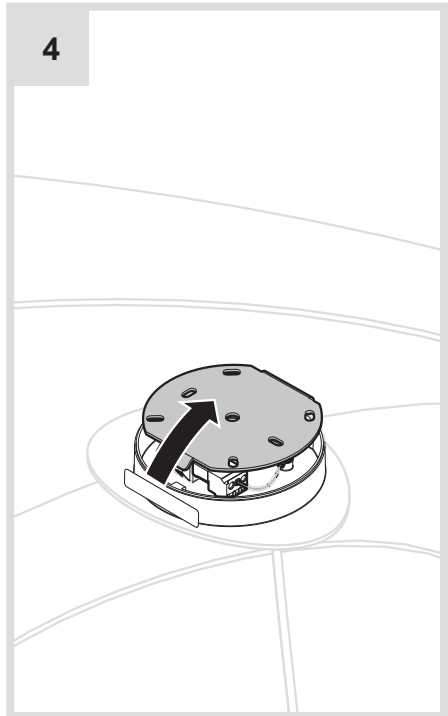
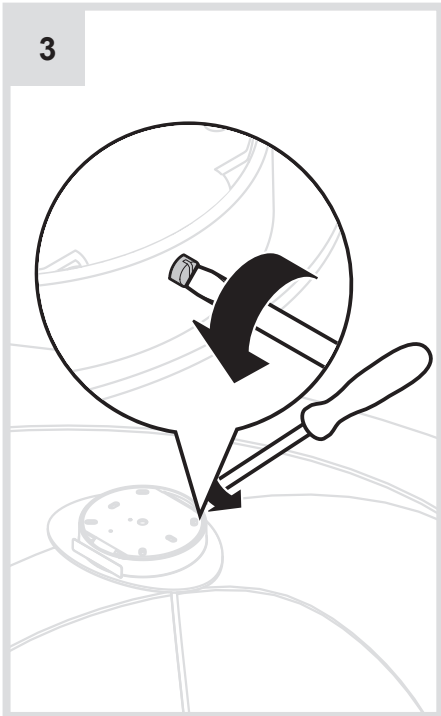
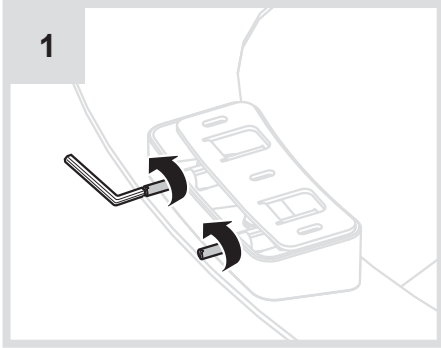
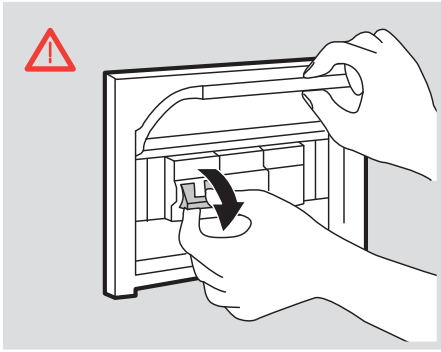
design
G. M. Scutellà



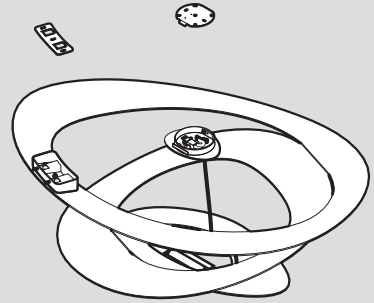
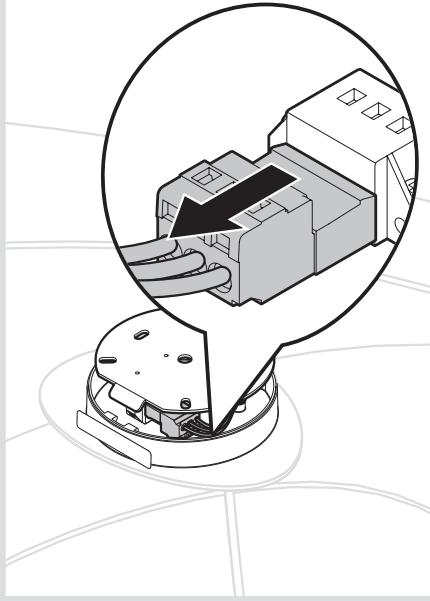


i

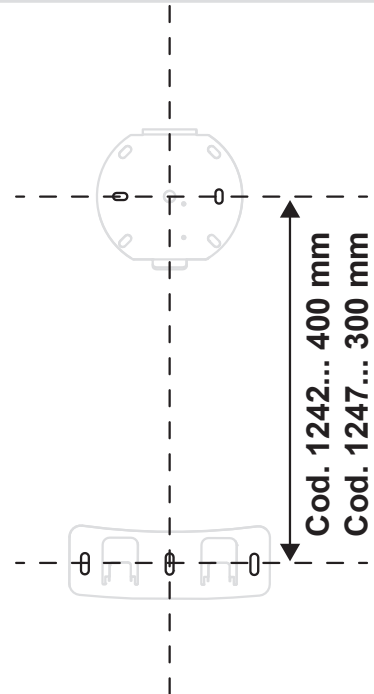




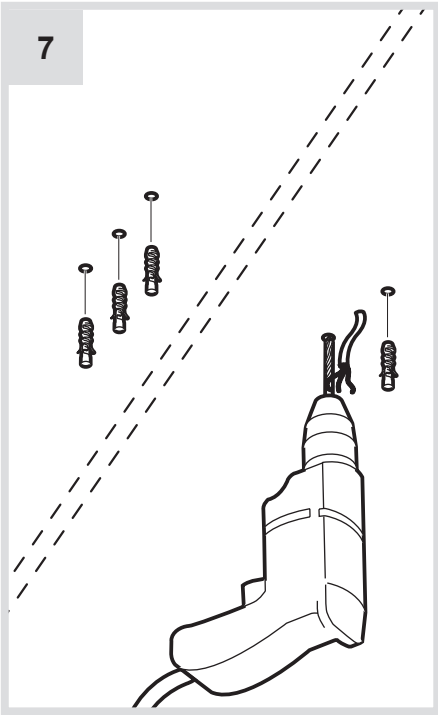
5



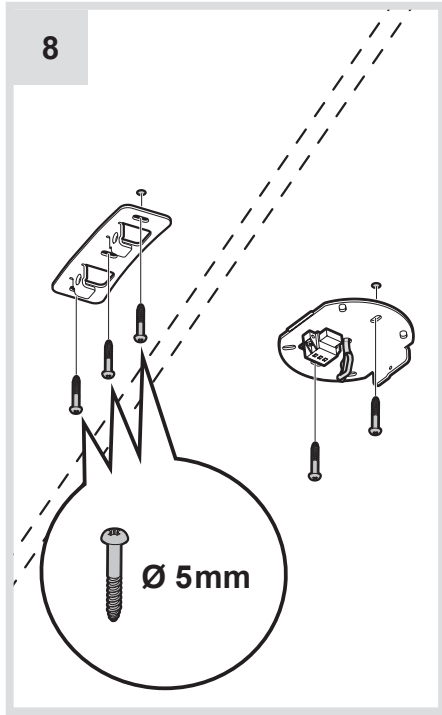
6



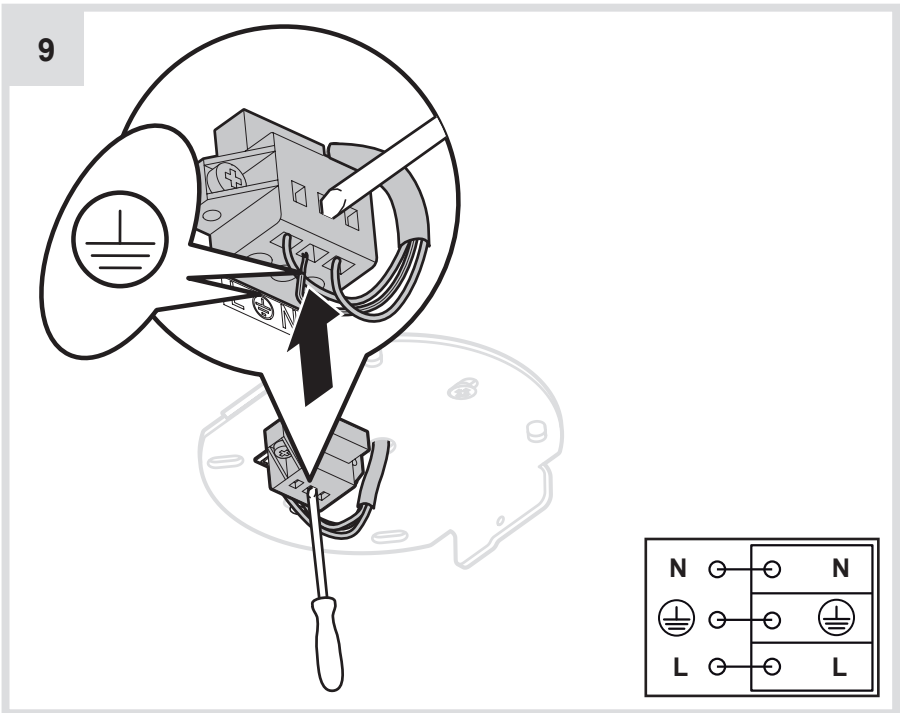
7



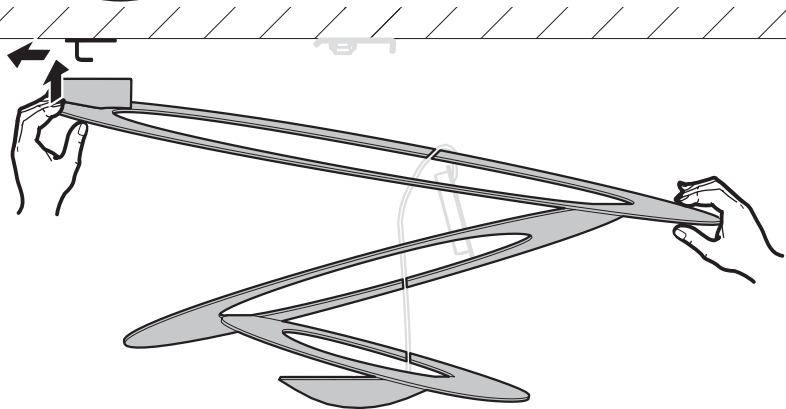
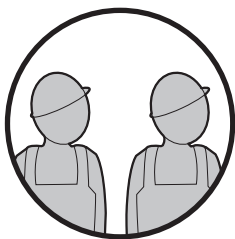
8



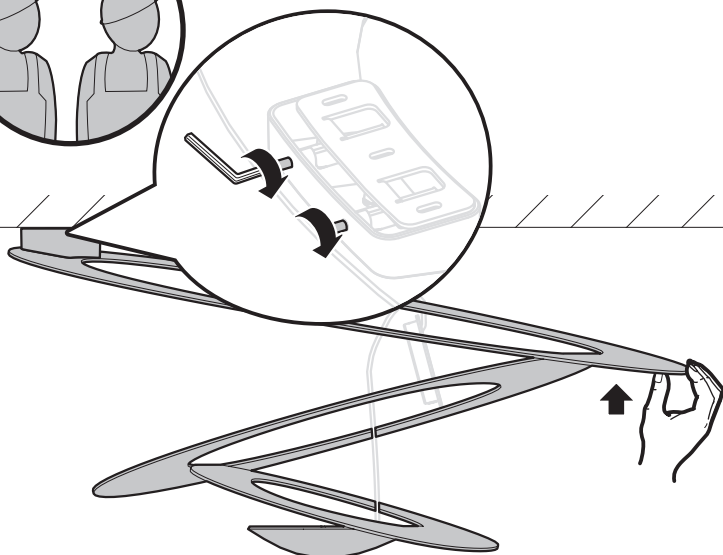
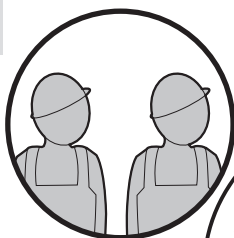
9



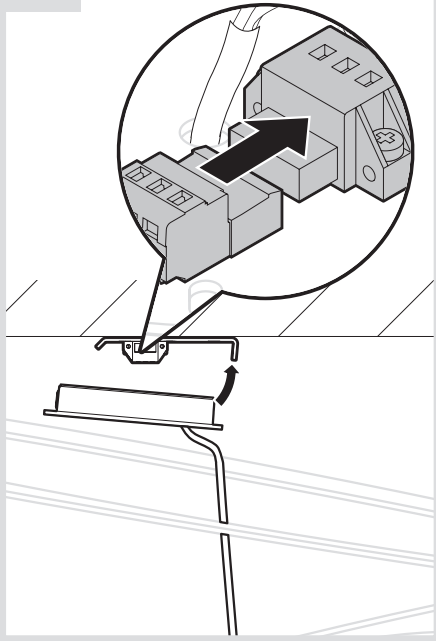
10



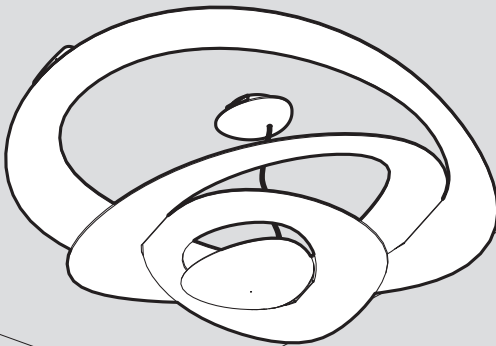
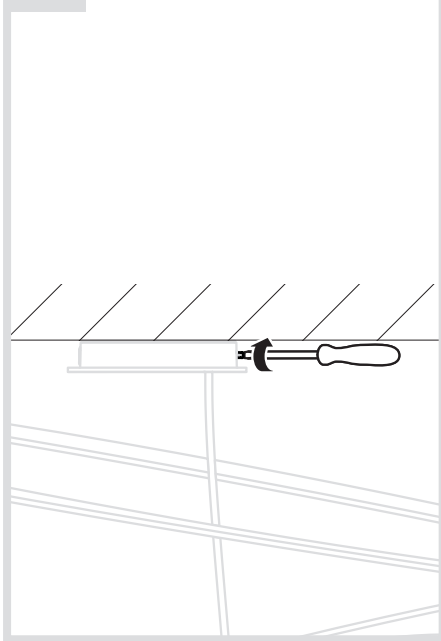
11



12

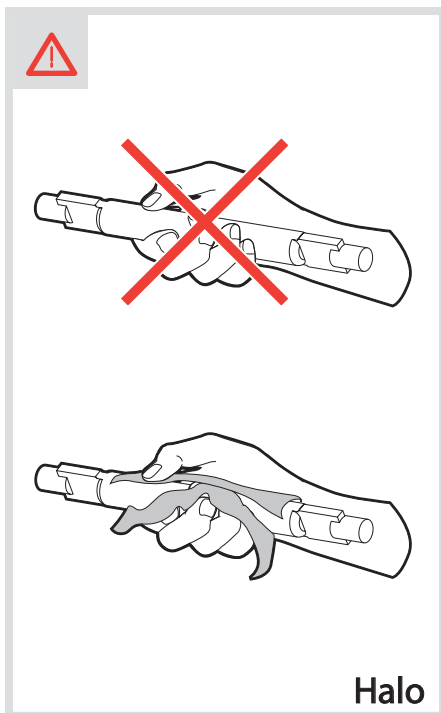
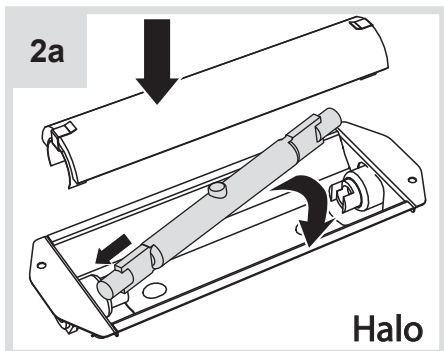
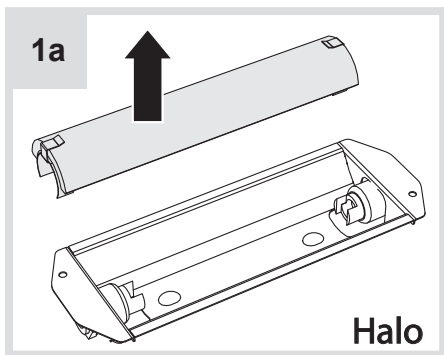
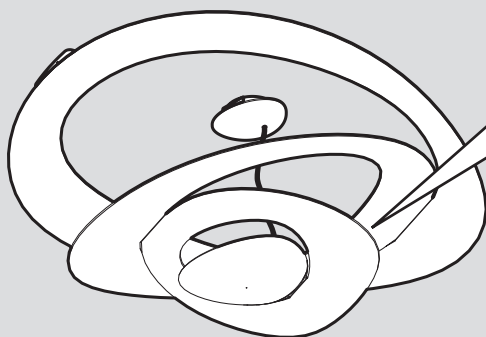
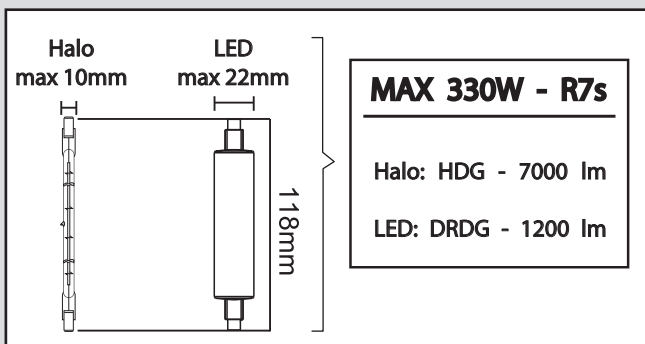


13

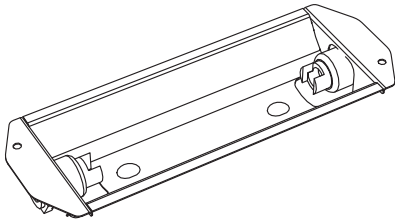
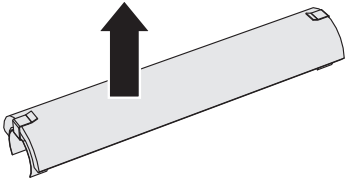




i

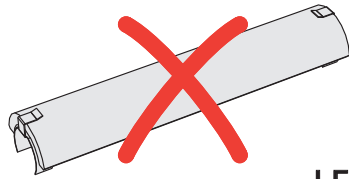
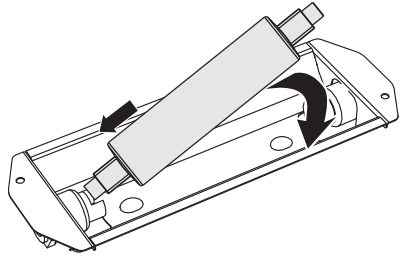


1b

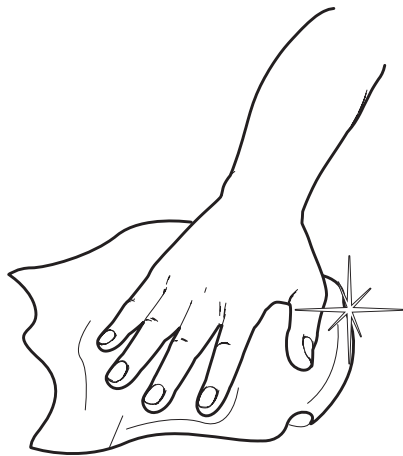
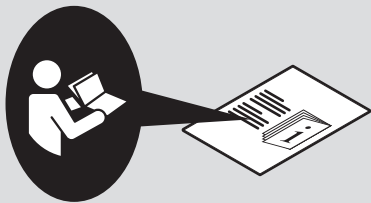


LED

2b



LED



Artemide®



Artemide

via Bergamo, 18
20010 Pregnana M.se (MI)
ITALIA

tel. +39 02 935 181
fax +39 02 935 90 254
fax +39 02 935 90 496

www.artemide.com

VAT IT00846890150

cod. Y513000530

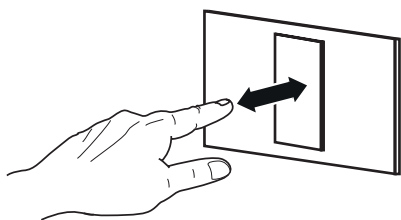


Driver Osram dimmer memory setting

led driver settings / settaggio driver led / configuraciòn driver led / réglage driver led / konfiguration driver led

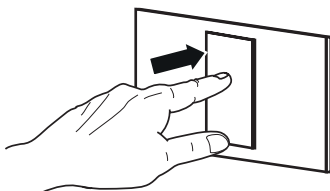


i



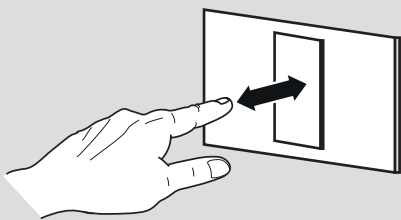
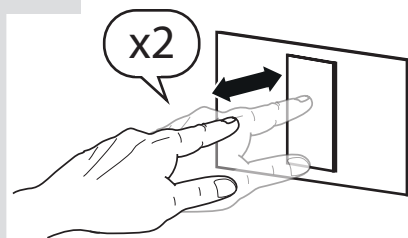
100%

1



n%

2



n%

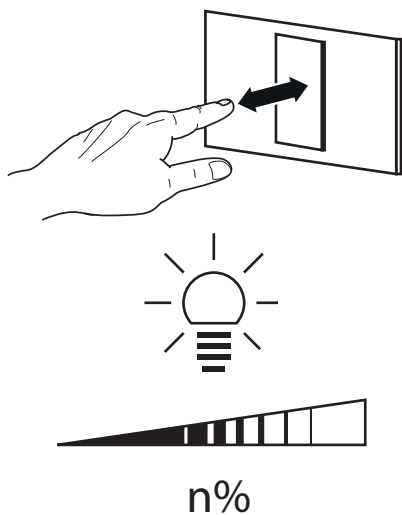


Driver Osram dimmer memory reset

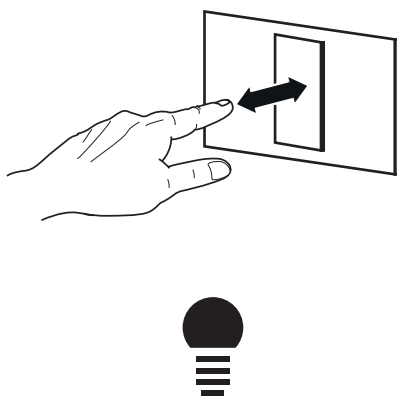
led driver settings / settaggio driver led / configuraciòn driver led / réglage driver led / konfiguration driver led



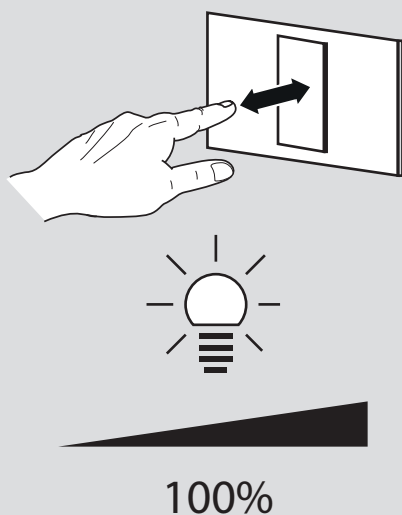
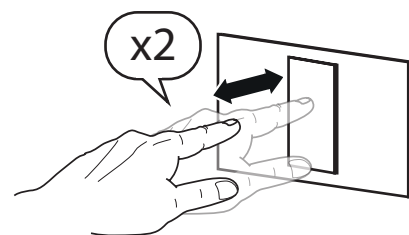
i



1



2



Artemide

via Bergamo, 18
20010 Pregnana M.se (MI)
ITALIA

tel. +39 02 935 181
fax +39 02 935 90 254
fax +39 02 935 90 496

www.artemide.com

VAT IT00846890150