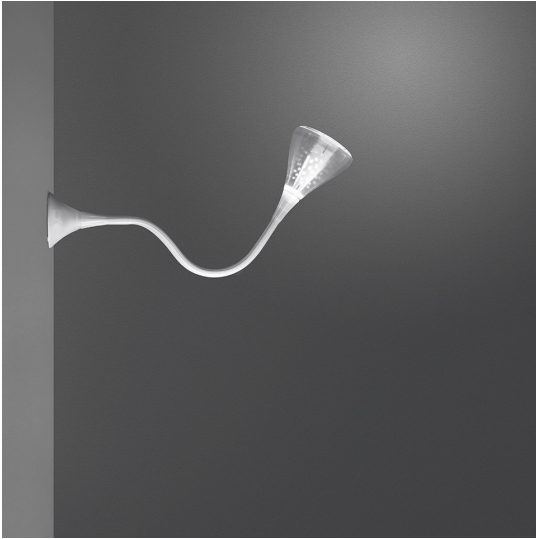
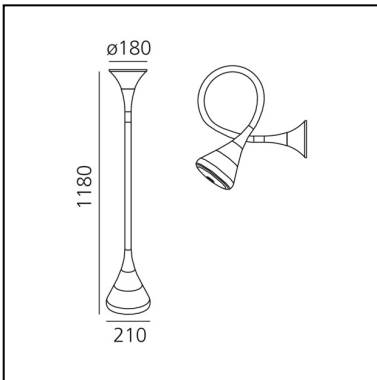


Pipe Wall/Ceiling LED 2700K

Herzog & de Meuron



IP20    Dimmerable: 



LUMINAIRE

- Power Supply: **Electronic Integrated**
- Watt: **27W**
- Voltage: **220-240V**
- Delivered lumen output: **1763lm**
- CCT: **2700K**
- Efficiency: **67%**
- Efficacy: **65.30lm/W**
- CRI: **90**
- Dimmable Typology: **Push**

Notes

Flexible and adjustable.

DESCRIPTION

Wall/ceiling lamp with flexible painted steel structure, covered with a natural anti-yellowing silicone case; wall attachment and diffuser in transparent rubber-effect painted polycarbonate; mirror aluminium reflector with random perforations; painted aluminium bottom plate. The new internal diffuser is reinterpreting the old fluorescent lamp using a modern LED source, this guarantees the same optical performance with less power consumption and a better quality of light.

FEATURES

- Product Code: **0671W10A**
- Colour: **Transparent**
- Installation: **Wall**
- Material: **Polycarbonate, steel, silicon**
- Series: **Design Collection**
- Environment: **Indoor**
- design by: **Herzog & de Meuron**

DIMENSIONS

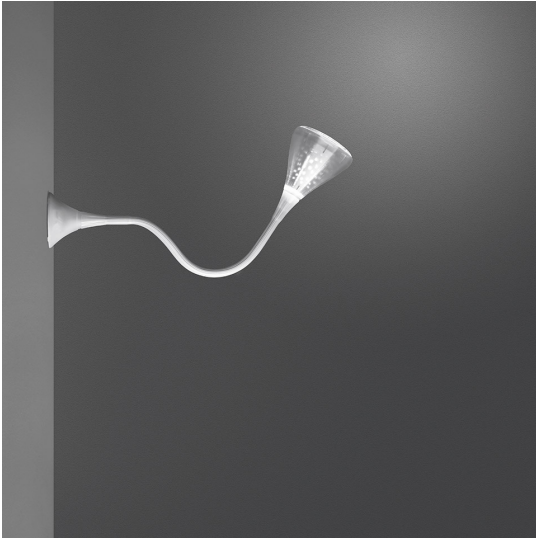
- Height: **1180 mm**
- Diameter: **210 mm**
- Base Diameter: **180 mm**
- Impact Resistance: **IK6**
- Glow Wire Test: **960°**

SOURCES INCLUDED

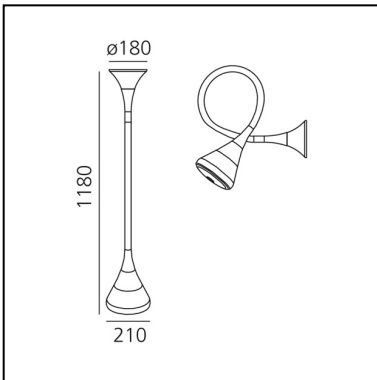
- Category: **Led**
- Number: **1**
- Watt: **24.2W**
- Delivered lumen output: **2607lm**
- Color temperature (K): **2700K**
- CRI: **90**
- Color Tolerance: **MacAdam 2SDCM**
- Efficacy: **108lm/W**
- Service Life: **50000-L70**

Pipe Wall/Ceiling White Integralis

Herzog & de Meuron



IP20  Dimmerable: 



LUMINAIRE

DAY MODE

- Power Supply: **Electronic Integrated**
- Watt: **27W**
- Voltage: **220-240V**
- Delivered lumen output: **2143lm**
- Radiant Flux: **1449mW**
- CCT: **5000K**
- Efficiency: **67%**
- Efficacy: **79.37lm/W**
- CRI: **90**
- Dimmable Typology: **Push**

Notes

Flexible and adjustable.

DESCRIPTION

Flexible painted steel structure, covered with a natural anti-yellowing silicone case; ceiling rose and diffuser in transparent rubber-effect painted polycarbonate; mirror aluminium reflector with random perforations; painted steel bottom plate. The new internal diffuser is reinterpreting the old fluorescent lamp using a modern LED source, this guarantees the same optical performance with less power consumption and a better quality of light.

In the WHITE INTEGRALIS version, Pipe is designed to offer a white emission ensuring perfect perception while respecting the human presence and which at the same time combines control of microbial growth. It can vary in intensity and is available with a fixed CCT of 5000K, with a high color rendering index (CRI 90).

FEATURES

- Product Code: **0671010IN0A**
- Colour: **Transparent**
- Installation: **CeilingWall**
- Material: **Polycarbonate, steel, silicon**
- Series: **Design Collection**
- Environment: **Indoor**
- design by: **Herzog & de Meuron**

DIMENSIONS

- Height: **1180 mm**
- Diameter: **210 mm**
- Base Diameter: **180 mm**
- Impact Resistance: **IK6**
- Glow Wire Test: **960°**

SOURCES INCLUDED

- Category: **Led**
- Number: **1**
- Color temperature (K): **5000K**
- CRI: **90**
- Color Tolerance: **3SDCM**
- Service Life: **L80 (10K) 55000h**