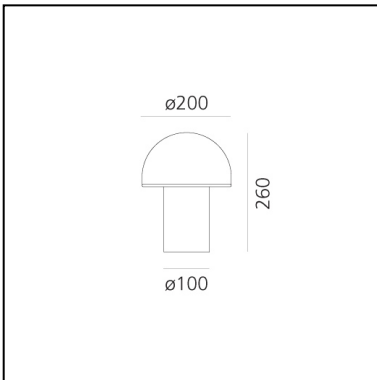


# Onfale Piccolo

Luciano Vistosi



IP20   EAC 



## LUMINAIRE

- Watt: **5W**
- Voltage: **220V-240V**
- Delivered lumen output: **363lm**
- Efficiency: **77%**
- Efficacy: **72.53lm/W**
- CRI: **80**

## DESCRIPTION

Body and diffuser in opaline blown glass. Transparent crystal edge added.

## FEATURES

- Product Code: **A006400**
- Colour: **White**
- Installation: **Table**
- Material: **blown glass**
- Series: **Design Collection**
- Environment: **Indoor**
- Area contract: **All projects**
- Emission: **Diffused**
- design by: **Luciano Vistosi**

## DIMENSIONS

- Height: **260 mm**
- Diameter: **200 mm**
- Base Diameter: **100 mm**

## SOURCES NOT INCLUDED

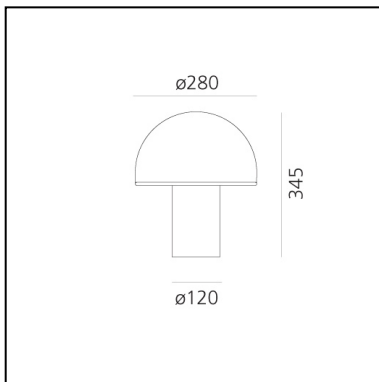
- Category: **LED RETROFIT**
- Number: **1**
- Watt: **6W**
- Socket: **E14**

# Onfale Medio

Luciano Vistosi



IP20   EAC 



## LUMINAIRE

- Watt: **10W**
- Voltage: **220V-240V**
- Delivered lumen output: **635lm**
- Efficiency: **68%**
- Efficacy: **63.47lm/W**
- CRI: **80**

## DESCRIPTION

Body and diffuser in opaline blown glass. Transparent crystal edge added.

## FEATURES

- Product Code: **A006500**
- Colour: **White**
- Installation: **Table**
- Material: **blown glass**
- Series: **Design Collection**
- Environment: **Indoor**
- Area contract: **All projects**
- Emission: **Diffused**
- design by: **Luciano Vistosi**

## DIMENSIONS

- Height: **345 mm**
- Diameter: **280 mm**
- Base Diameter: **120 mm**

## SOURCES NOT INCLUDED

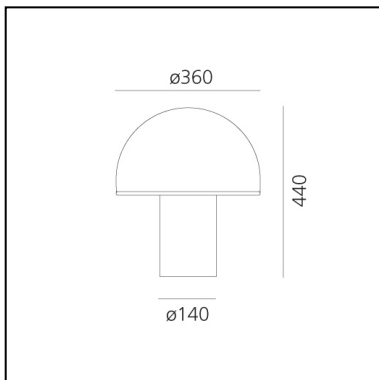
- Category: **LED RETROFIT**
- Number: **1**
- Watt: **6W**
- Socket: **E14**
- Category: **LED RETROFIT**
- Number: **1**
- Watt: **2W**
- Socket: **E14**

# Onfale Grande

Luciano Vistosi



IP20   EAC 



## LUMINAIRE

- Watt: **18W**
- Voltage: **220V-240V**
- Delivered lumen output: **1388lm**
- Efficiency: **70%**
- Efficacy: **77.13lm/W**
- CRI: **80**

## DESCRIPTION

Onfale, designed by Luciano Vistosi in 1978, is a masterpiece of design that catches the attention of anyone who sees it. Its sinuous, rounded shape recalls the perfect shape of a mushroom. It comes with a blown glass frame and an opal glass diffuser, providing a uniform and lovely illumination. The transparent hot-rolled glass edge of the diffuser accentuates the simple shape, revealing consummate glassmaking expertise.

Available in 3 dimension, Onfale Grande and Medio are characterized by the use of a second bulb positioned inside the lamp body that ensures a perfectly homogeneous light emission all over the lamp. The 2 bulbs can also be controlled separately for different light effects.

Not just a lamp, but an art piece that can enrich any environment with its timeless appeal. Artemide's Onfale lamp is a classy choice for those looking for something unique and exclusive.

## FEATURES

- Product Code: **A006300**
- Colour: **White**
- Installation: **Table**
- Material: **blown glass**
- Series: **Design Collection**
- Environment: **Indoor**
- Area contract: **All projects**
- Emission: **Diffused**
- design by: **Luciano Vistosi**

## DIMENSIONS

- Height: **440 mm**
- Diameter: **360 mm**
- Base Diameter: **140 mm**

## SOURCES NOT INCLUDED

- Category: **LED RETROFIT**
- Number: **1**
- Watt: **8W**
- Socket: **E27**
- Category: **LED RETROFIT**
- Number: **1**
- Watt: **2W**
- Socket: **E14**