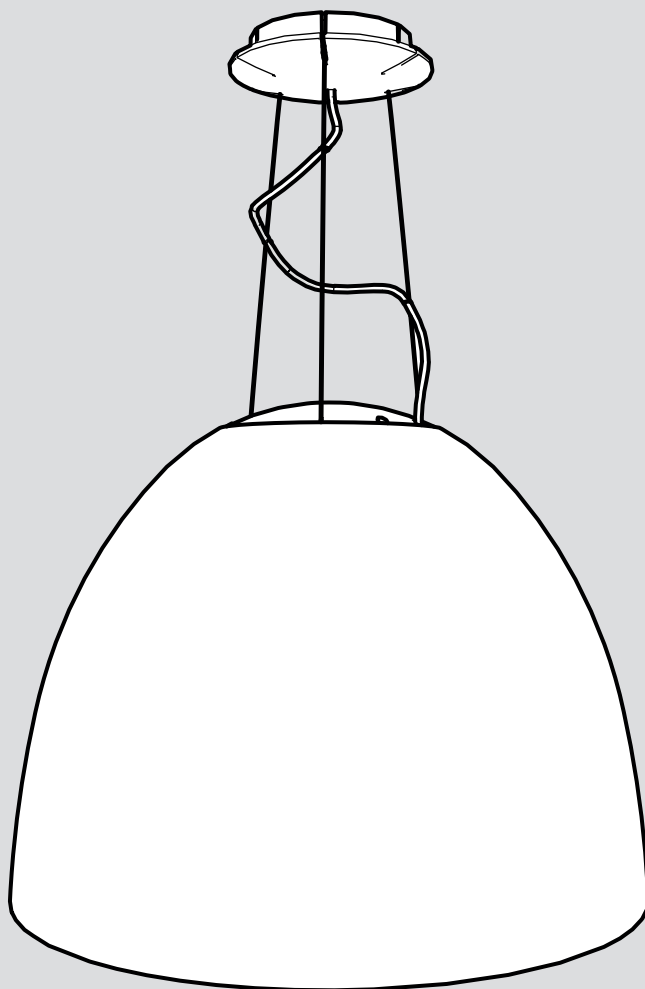


Artemide®

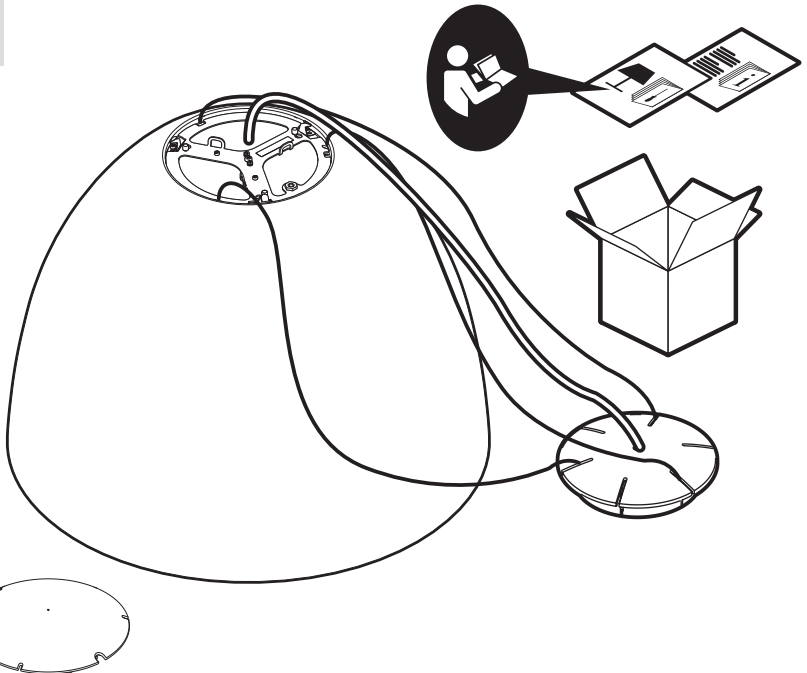
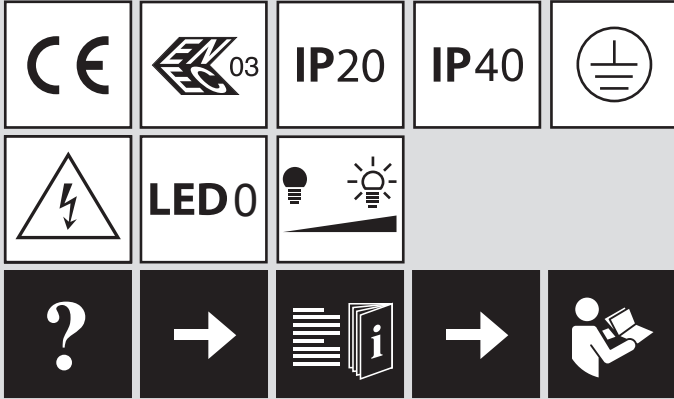
Nur

design
Ernesto Gismondi

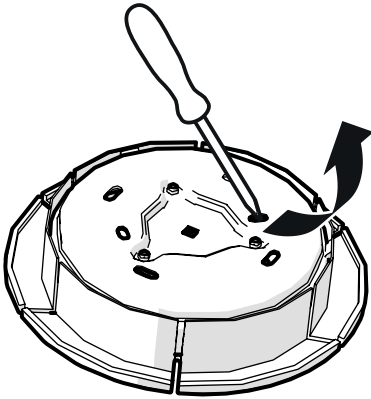




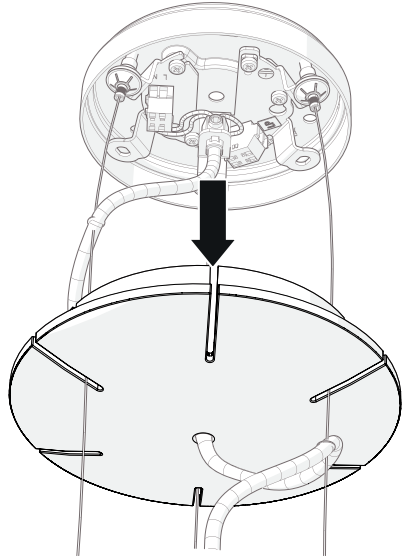
i



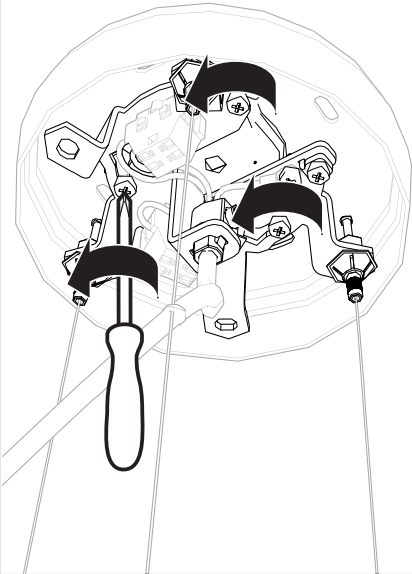
1



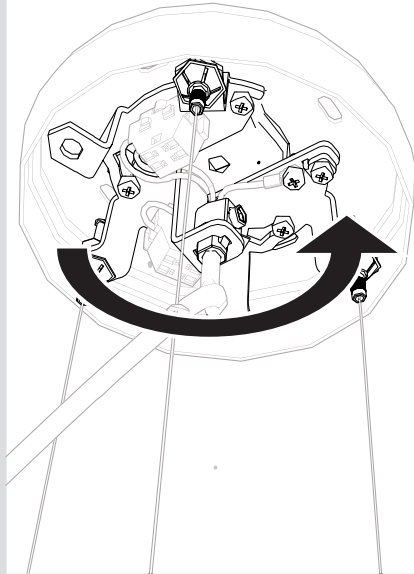
2



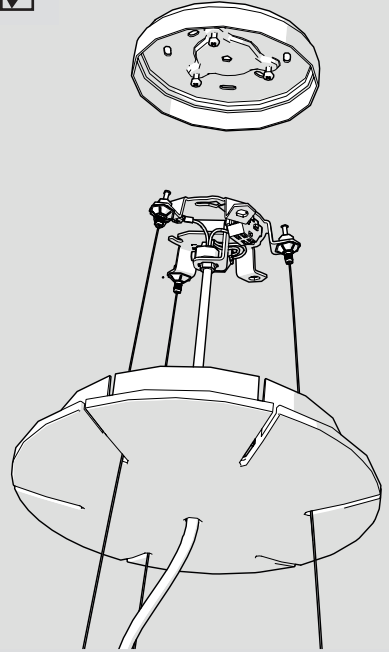
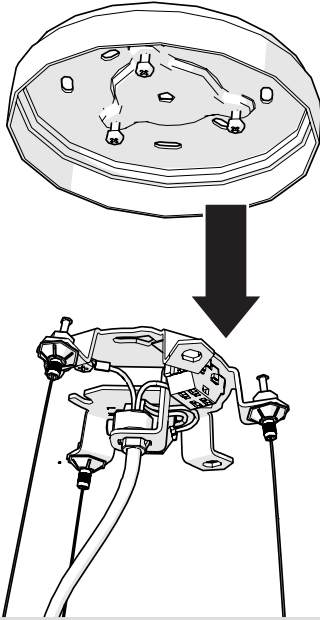
3



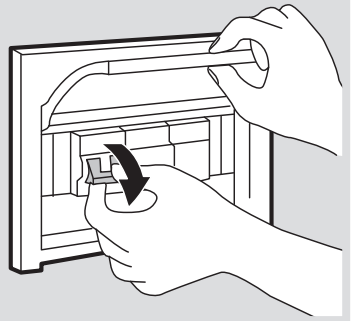
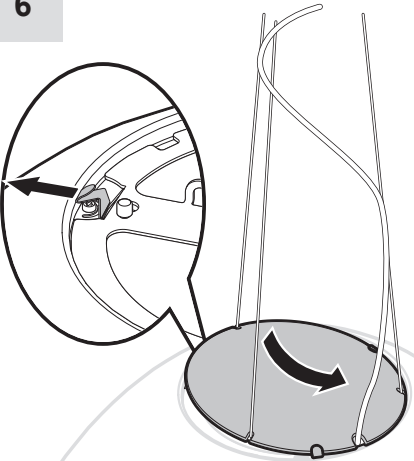
4



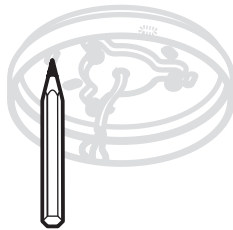
5



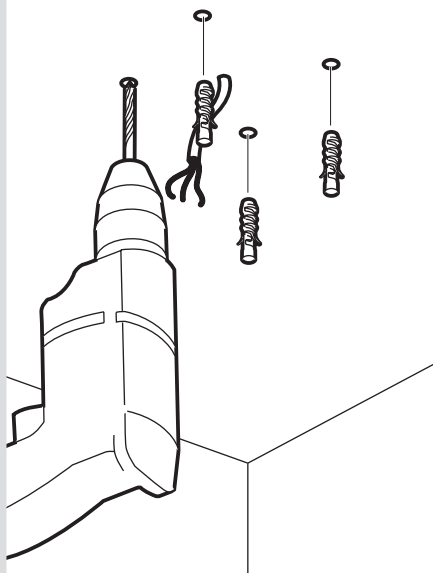
6



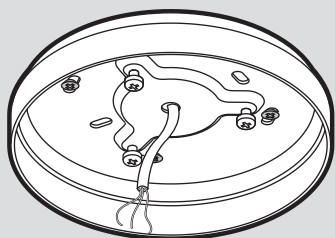
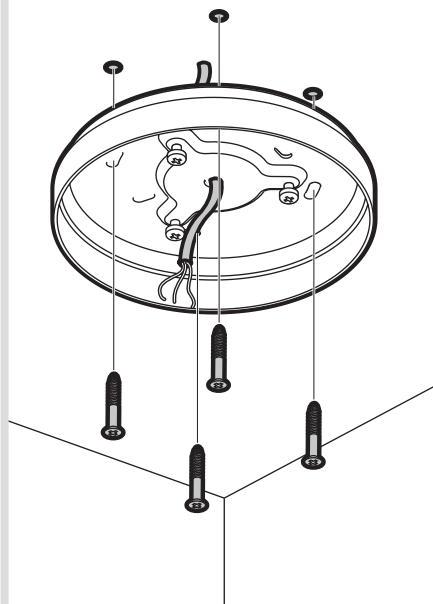
7



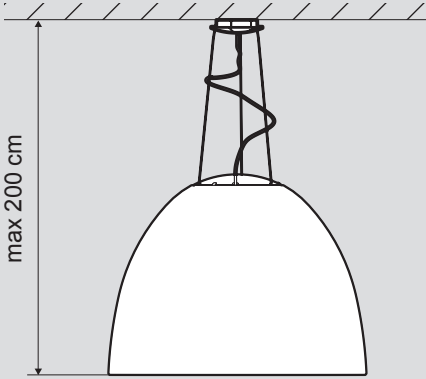
8



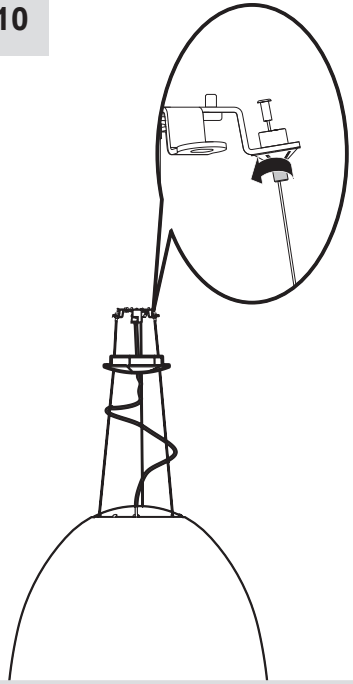
9



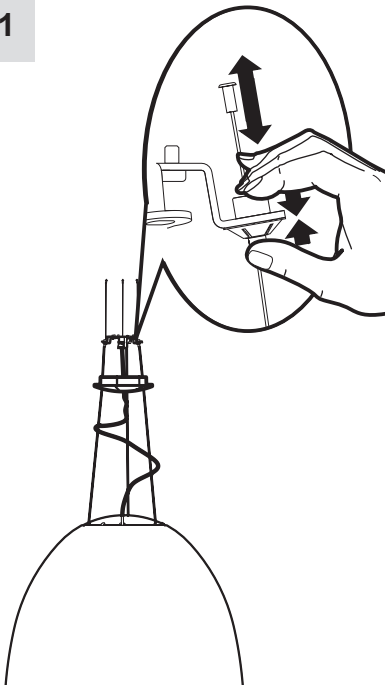
i



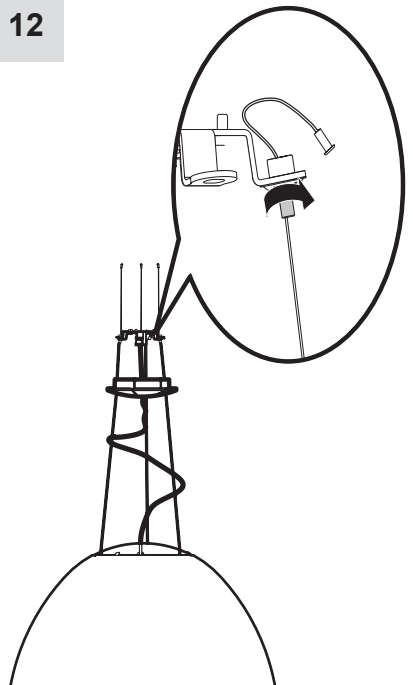
10



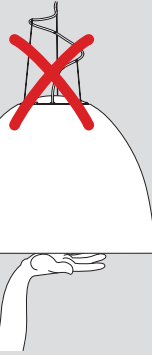
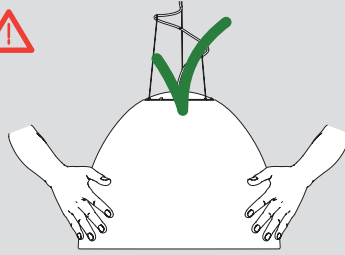
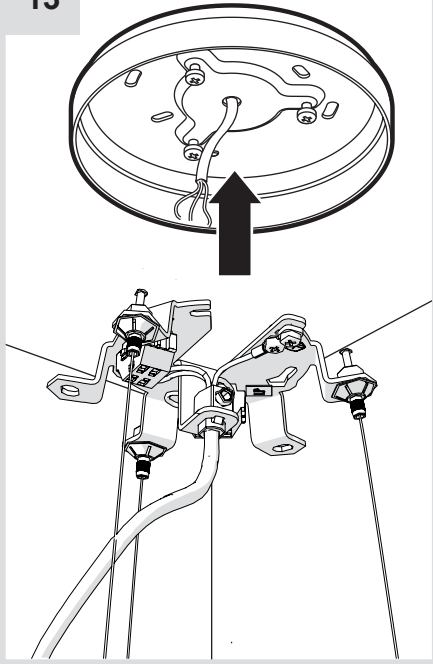
11



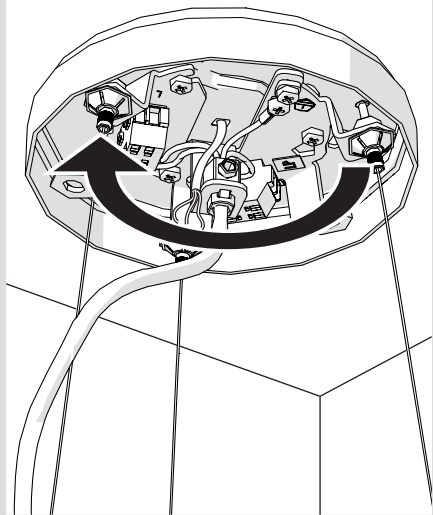
12



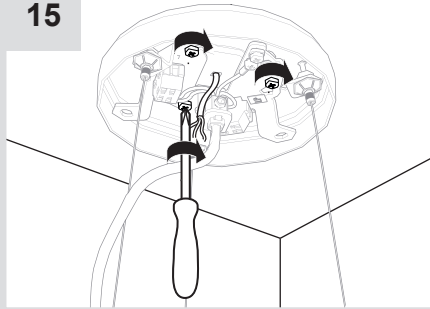
13



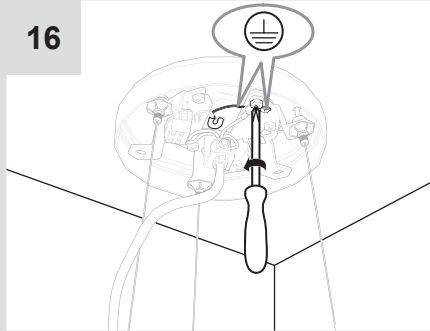
14



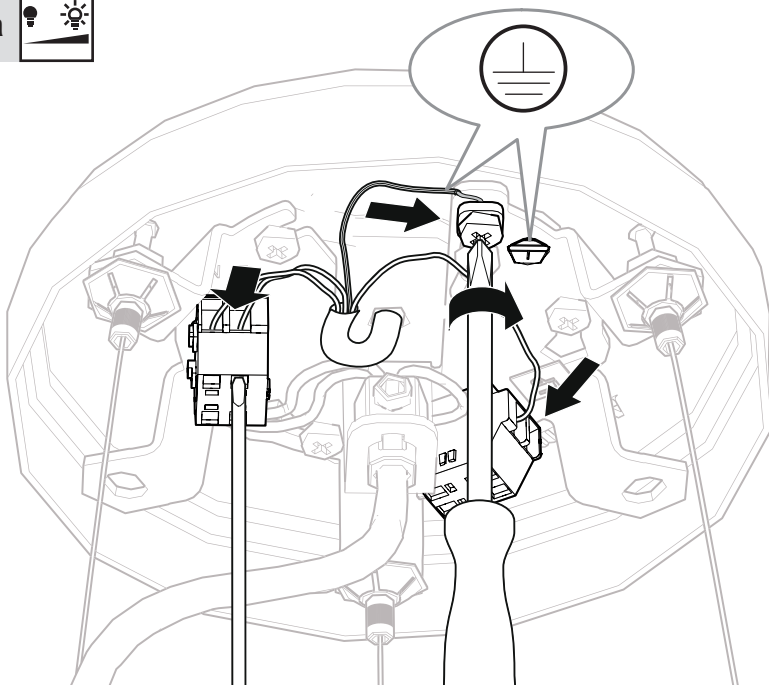
15



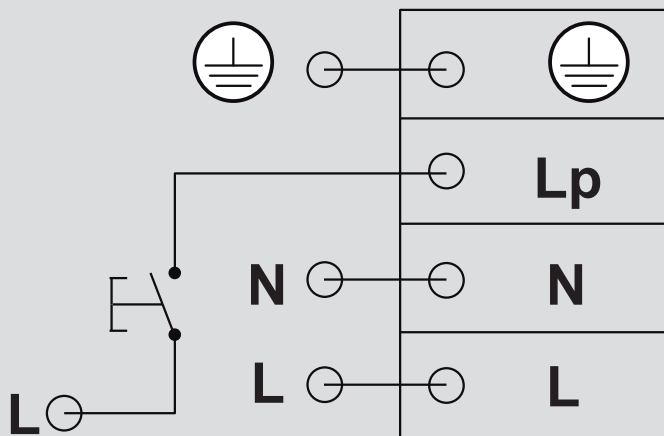
16



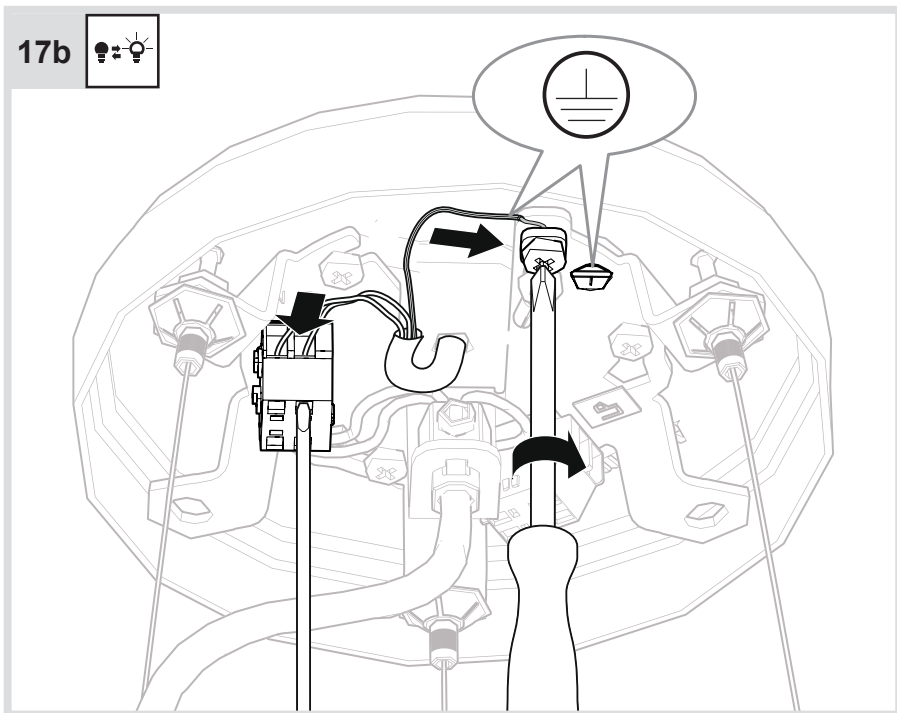
17a



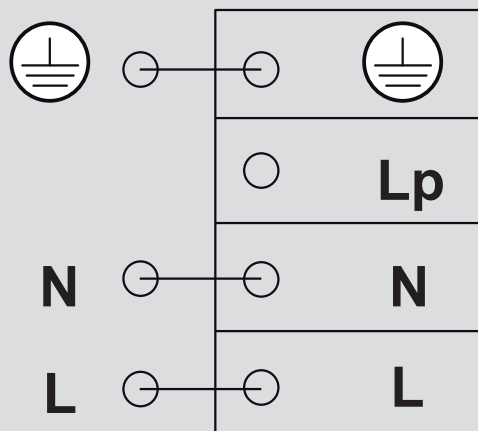
i



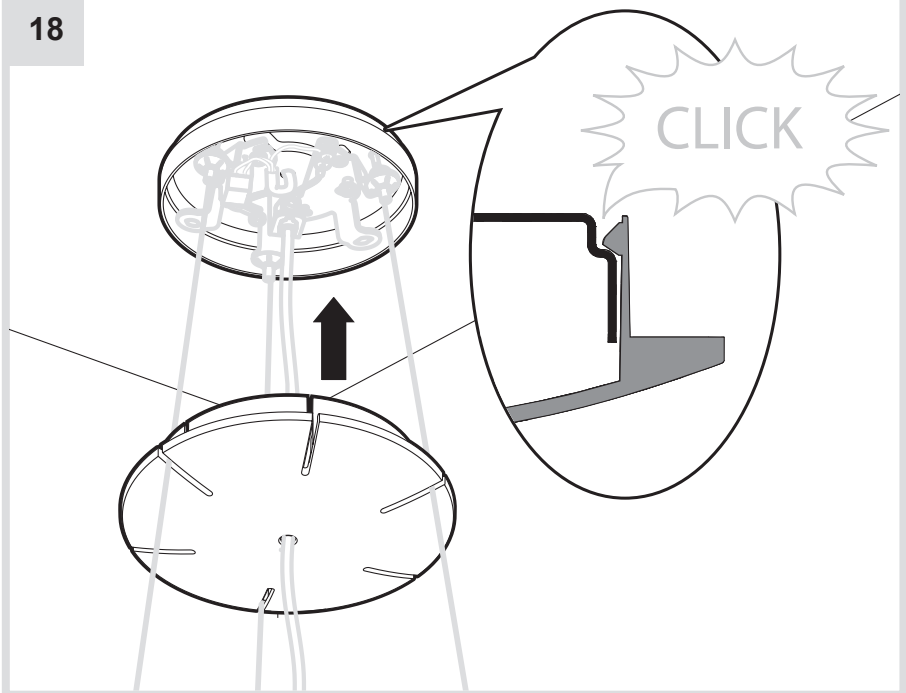
17b



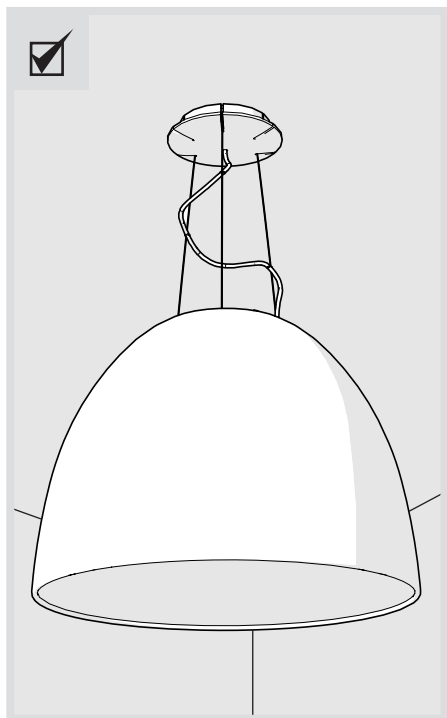
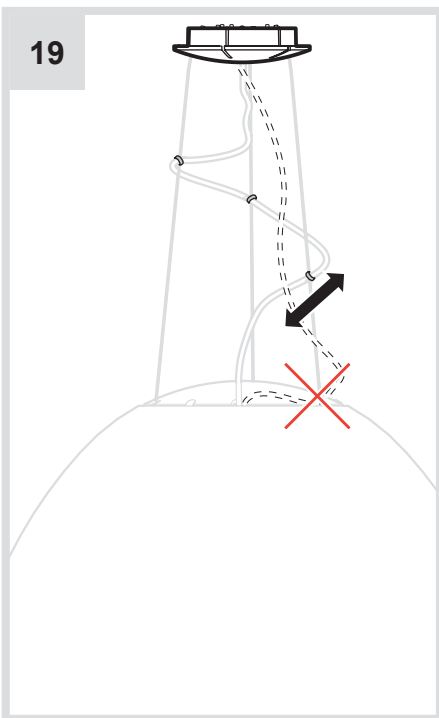
i



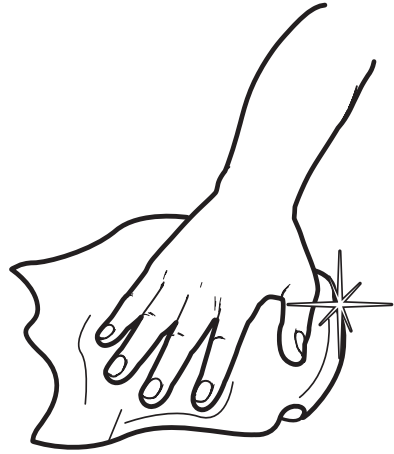
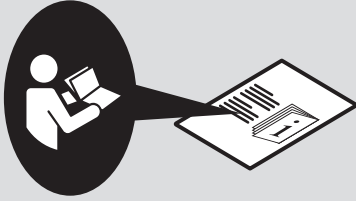
18



19



i



Artemide®



Artemide

via Bergamo, 18
20010 Pregnana M.se (MI)
ITALIA

tel. +39 02 935 181
fax +39 02 935 90 254
fax +39 02 935 90 496

www.artemide.com

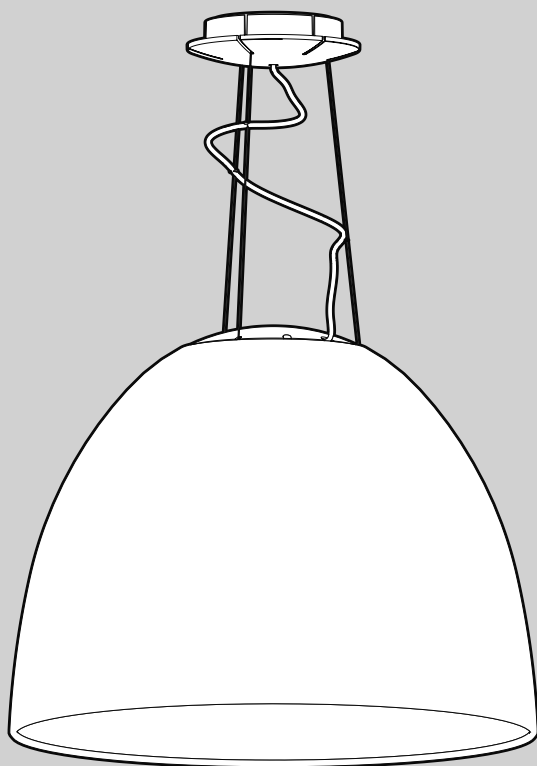
VAT IT00846890150

cod. Y513000171A

Artemide®

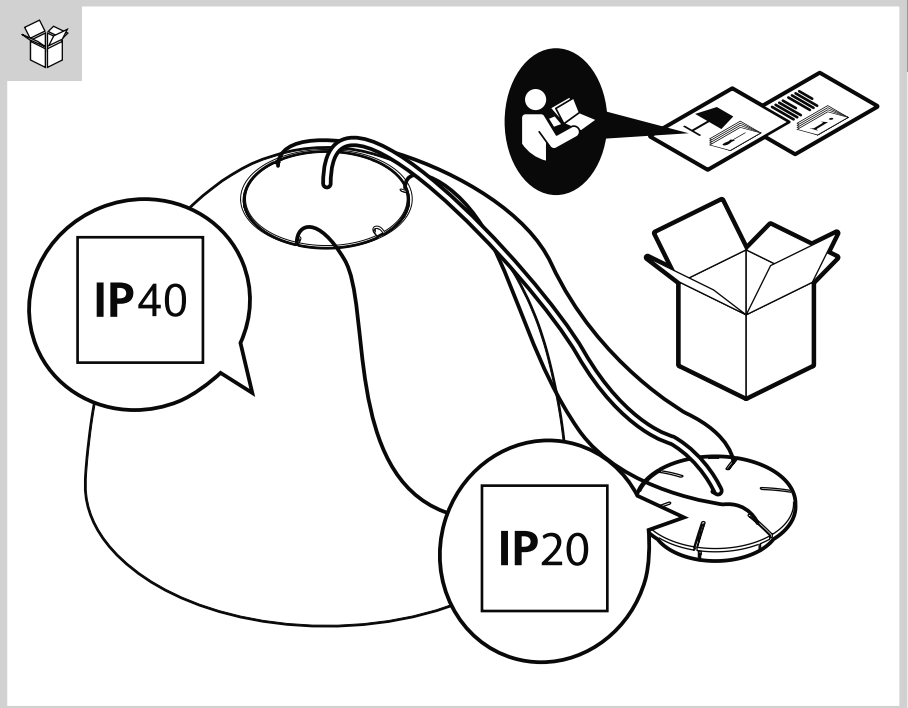
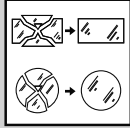
Nur

design
Ernesto Gismondi

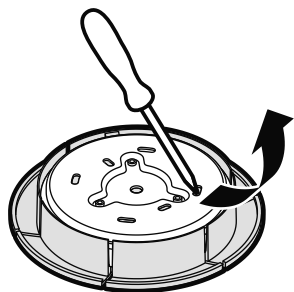




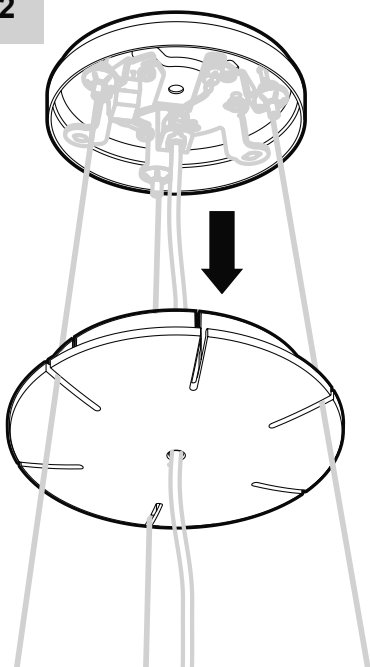
i



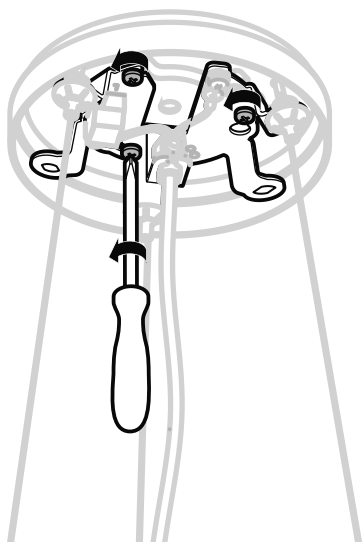
1



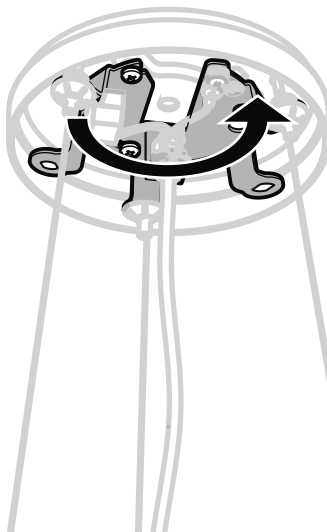
2



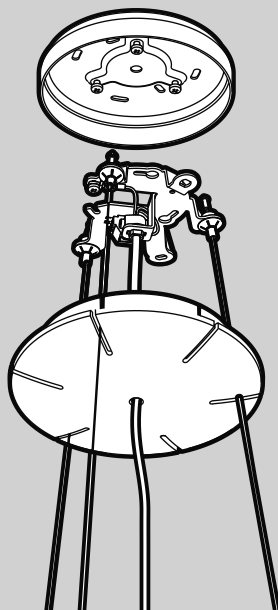
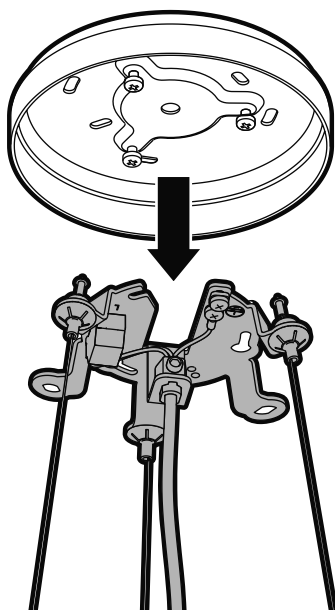
3

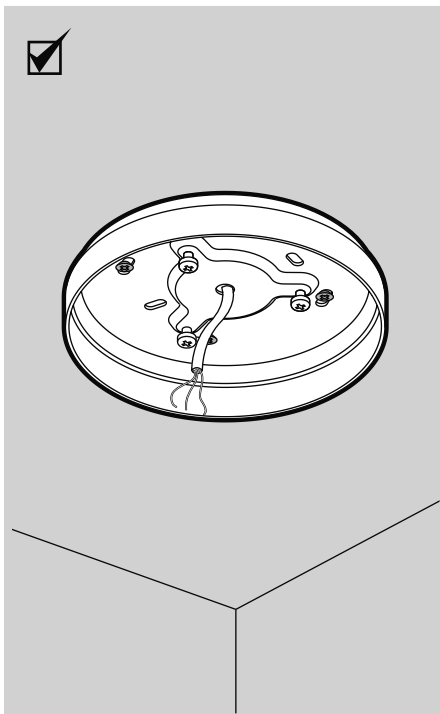
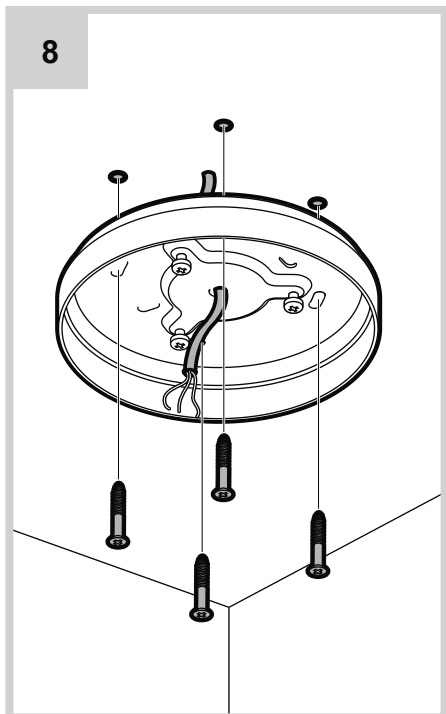
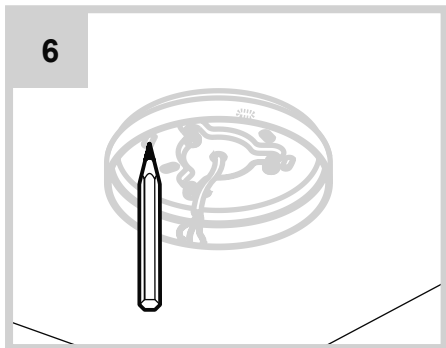
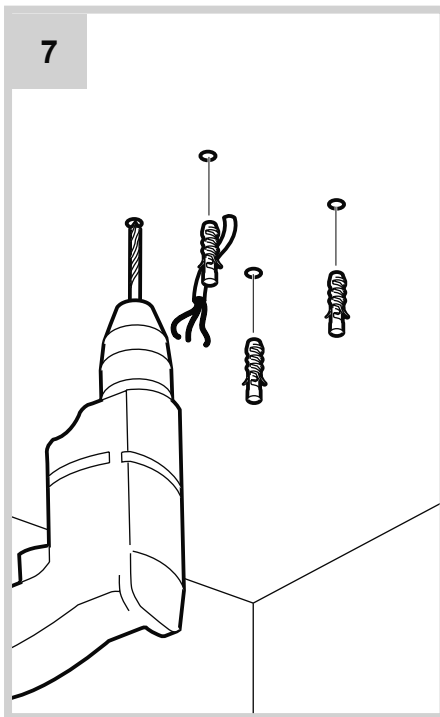
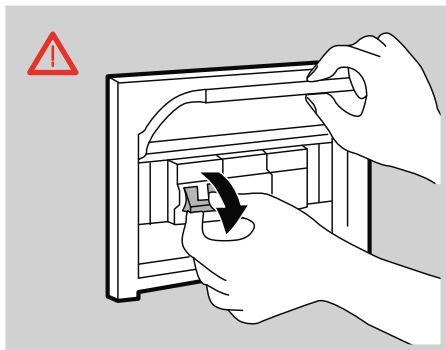


4

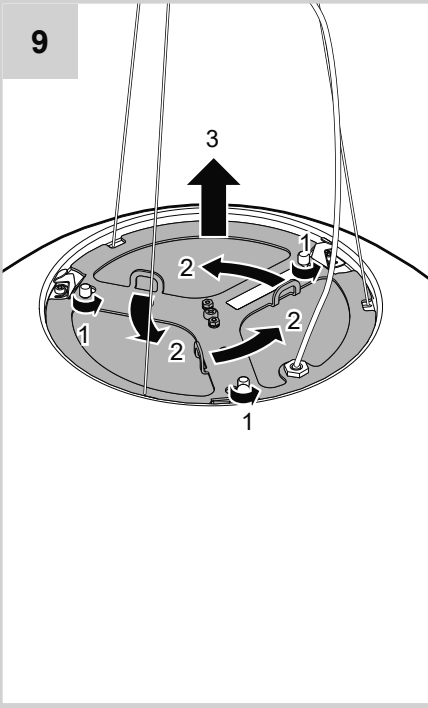


5

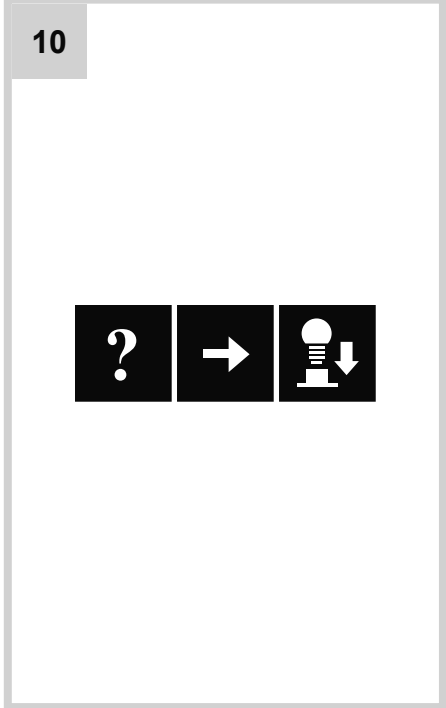




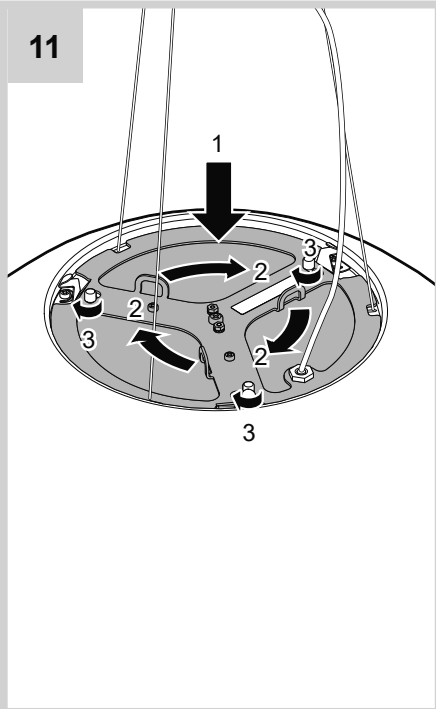
9



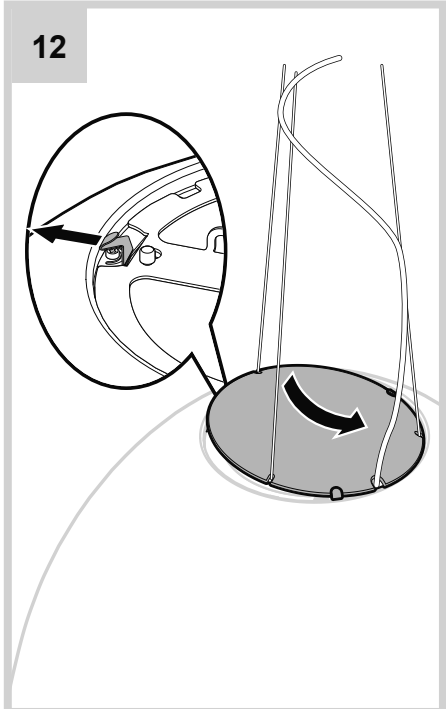
10



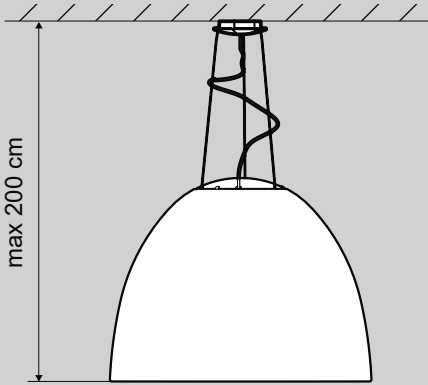
11



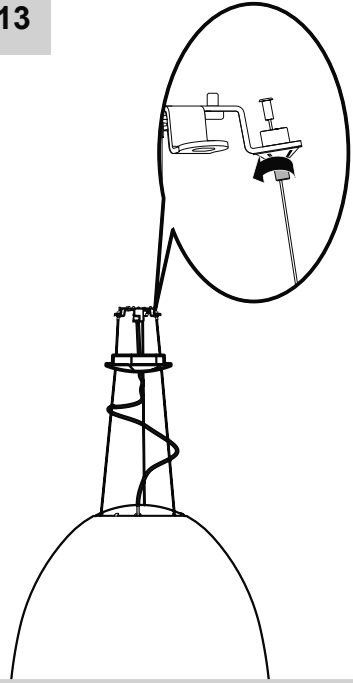
12



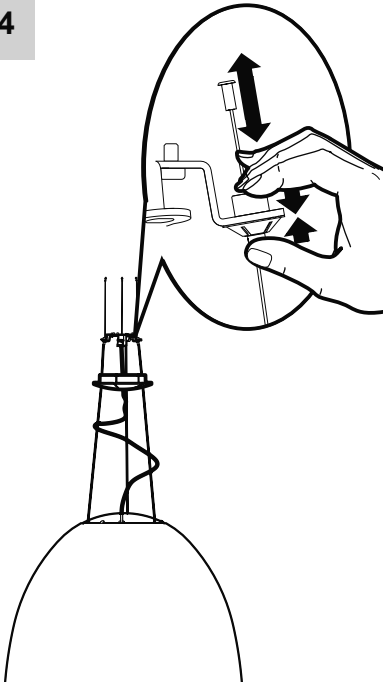
i



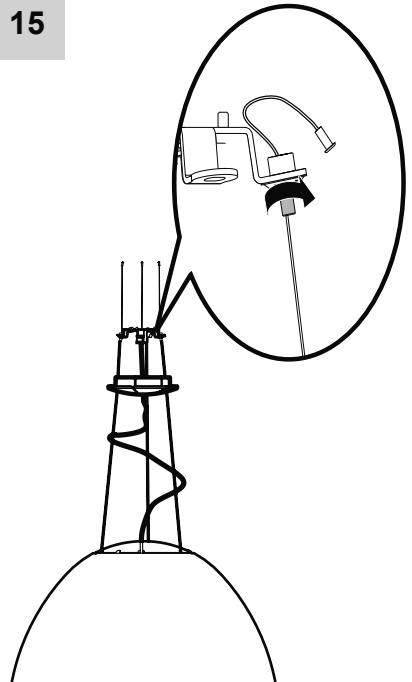
13



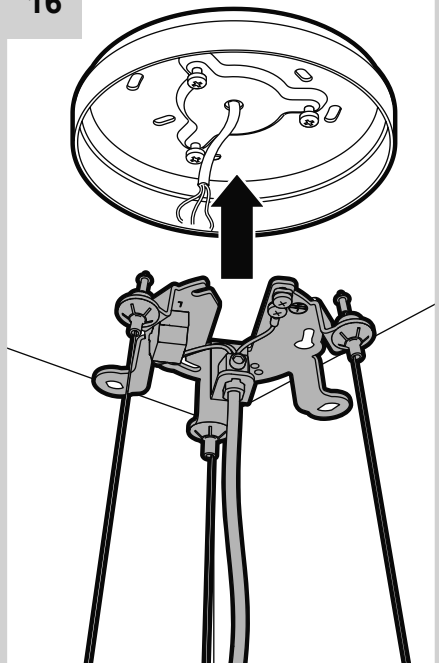
14



15



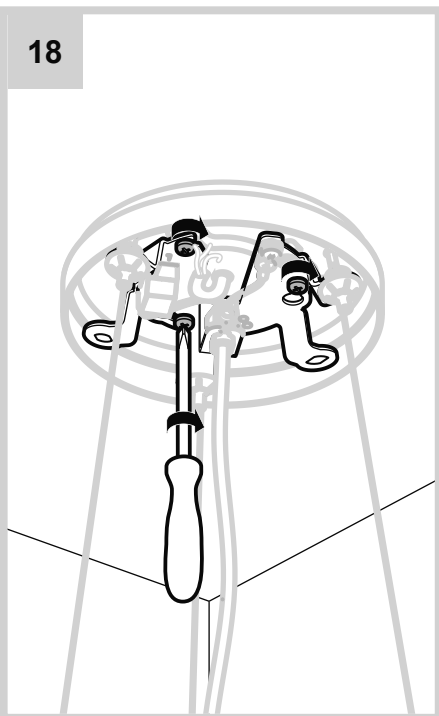
16



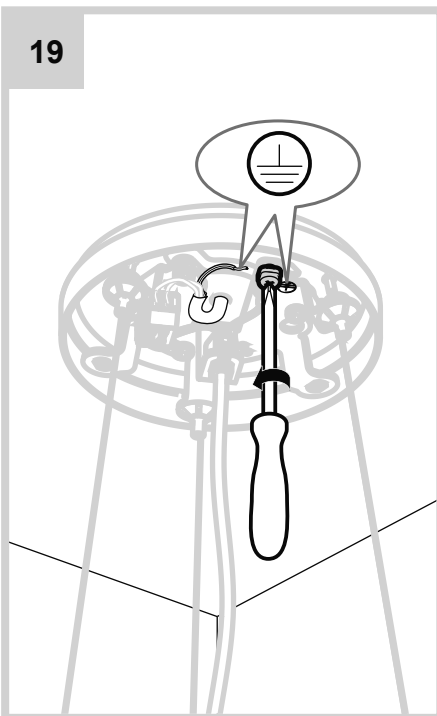
17



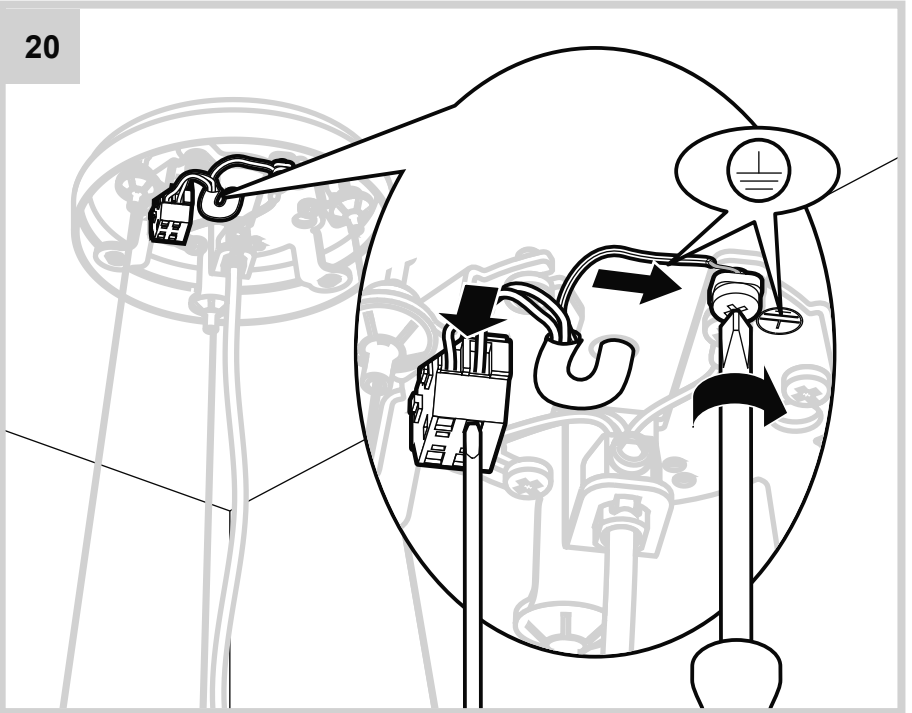
18



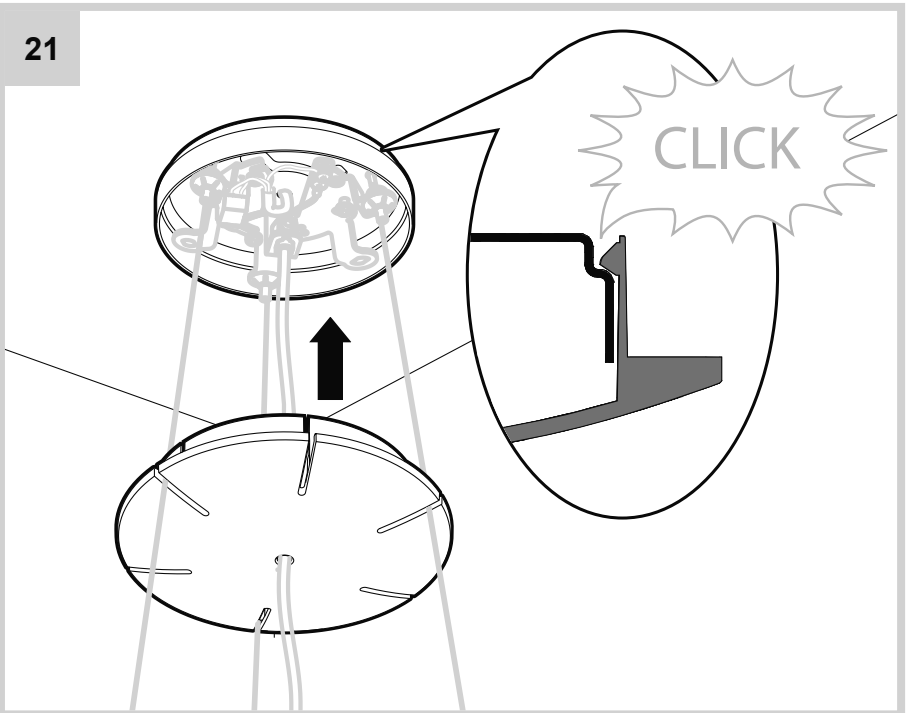
19



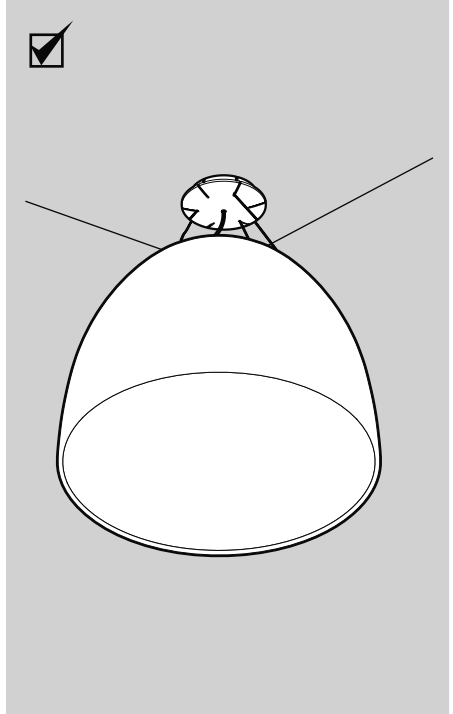
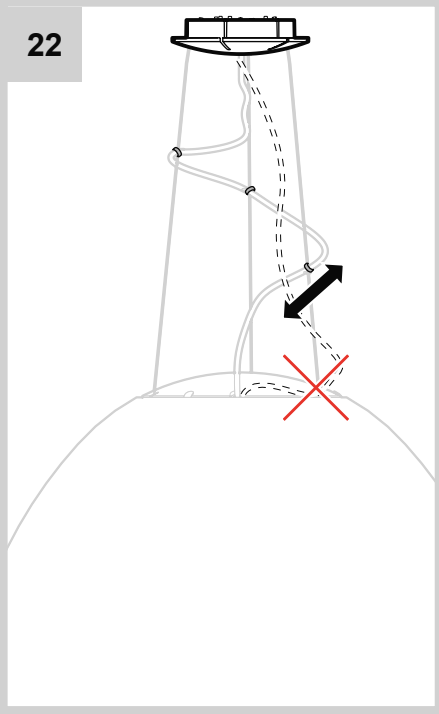
20



21

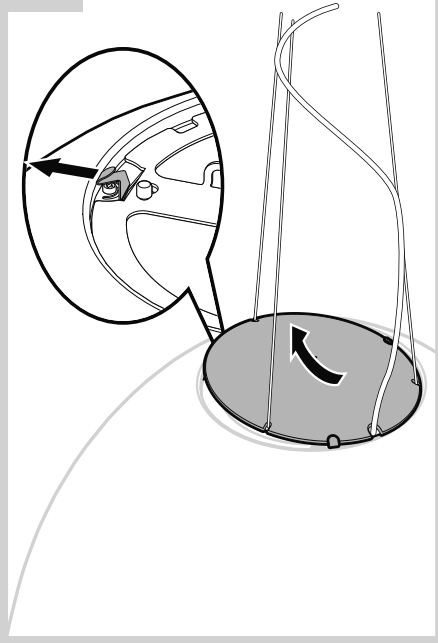


22

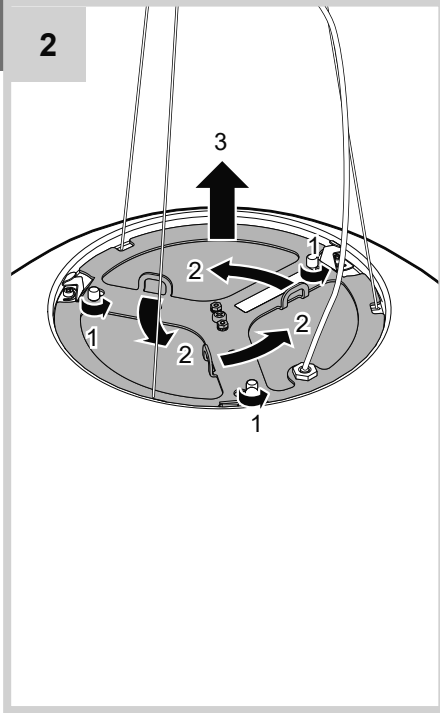




1



2



HALO



FLUO

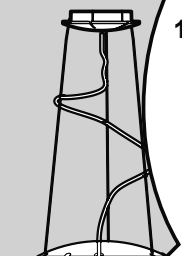




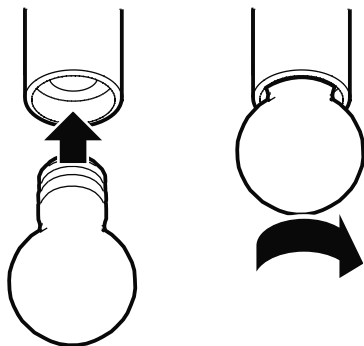
HALO E27
1 x max 205W HSG

OR

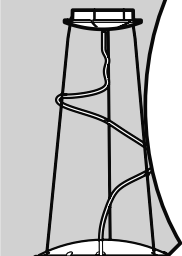
LED E27
1 x max 21W



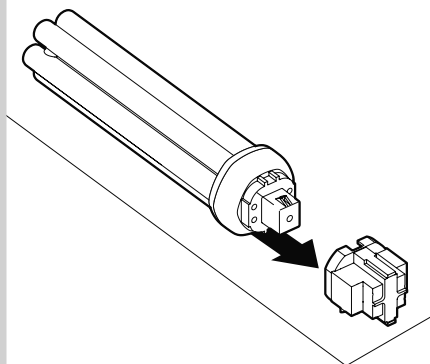
3a

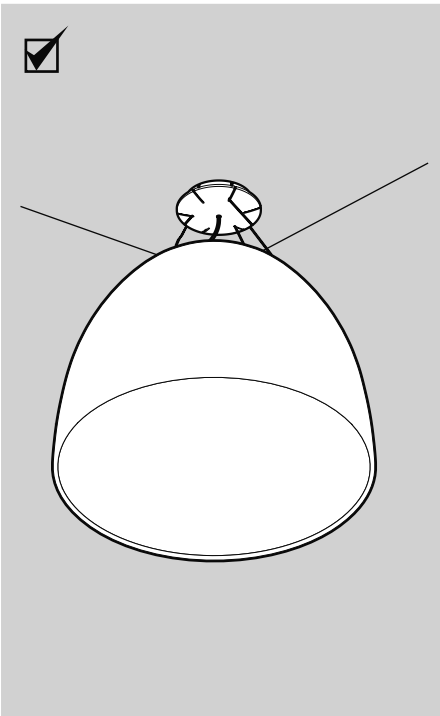
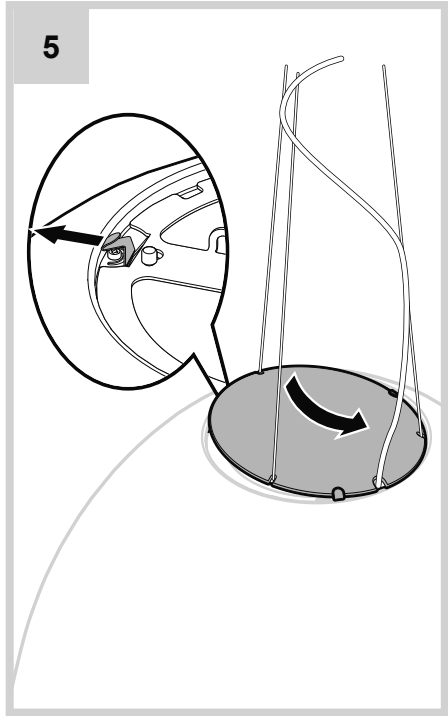
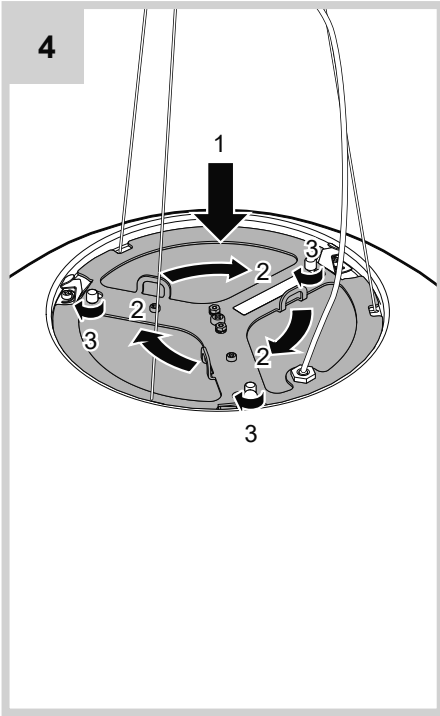


FLUO
1 x 70W
FSM
GX 24q-6



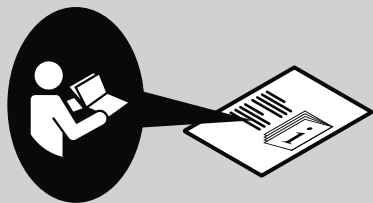
3b



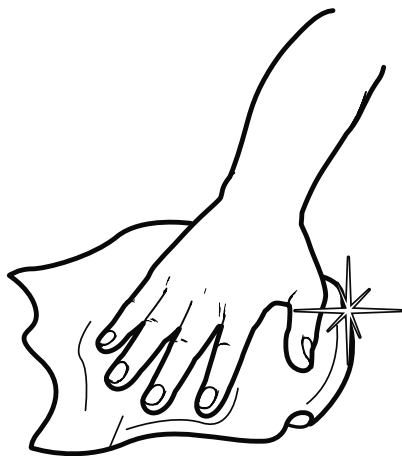




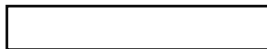
i



1



Artemide®



Artemide

via Bergamo, 18
20010 Pregnana M.se (MI)
ITALIA

tel. +39 02 935 181
fax +39 02 935 90 254
fax +39 02 935 90 496

www.artemide.com

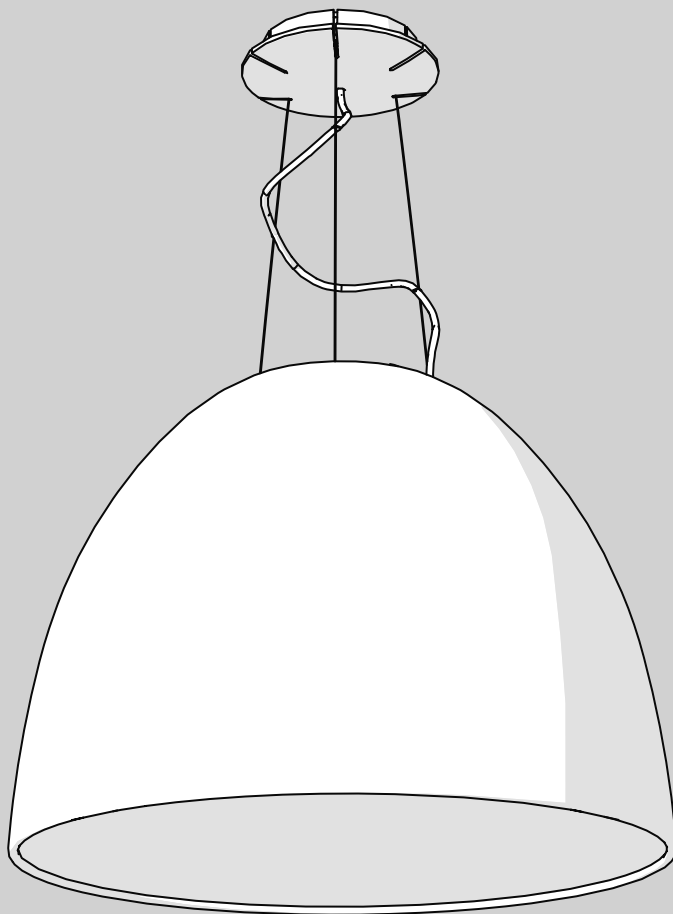
VAT IT00846890150

cod. Y513000021A

Artemide®

Nur INTEGRALIS®

design
Ernesto Gismondi

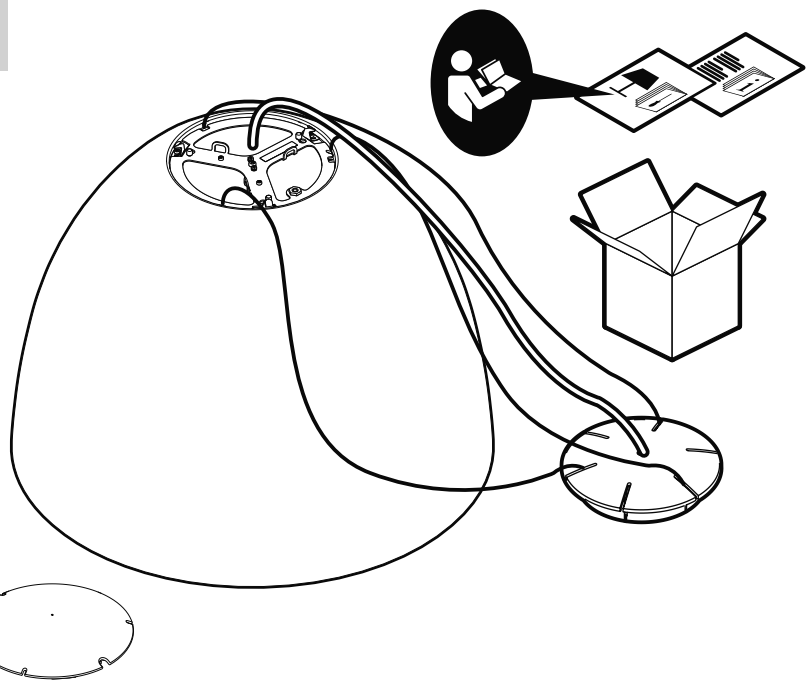




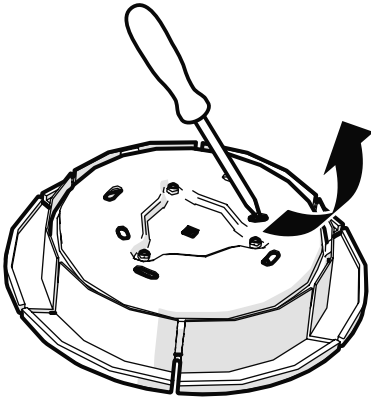
i



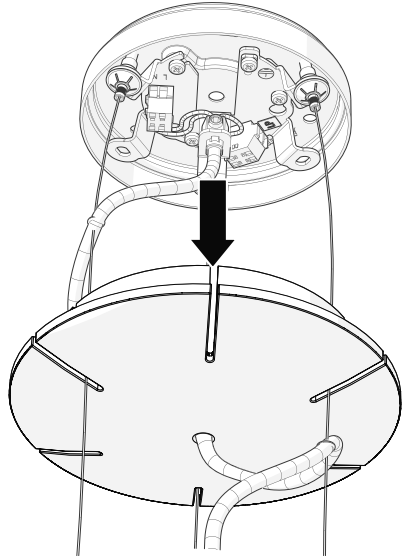
Artemide
INTEGRALIS



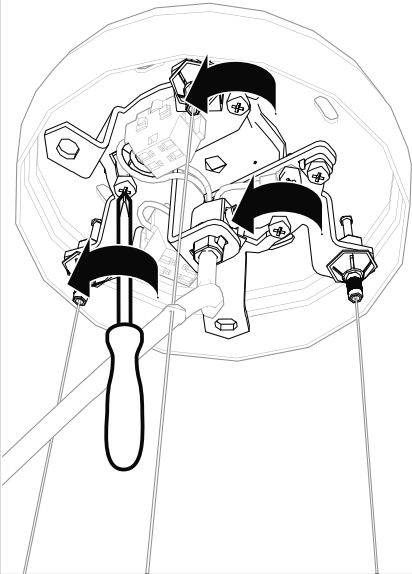
1



2



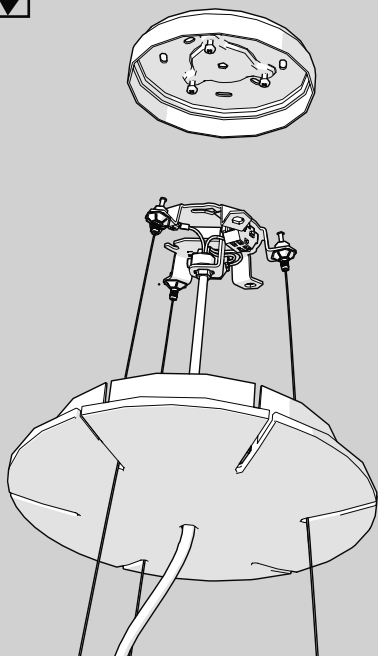
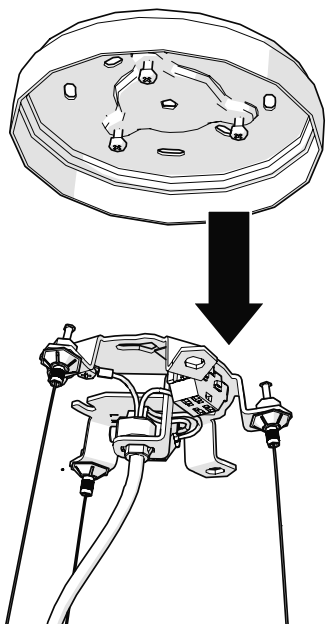
3



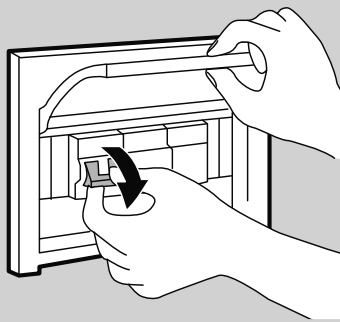
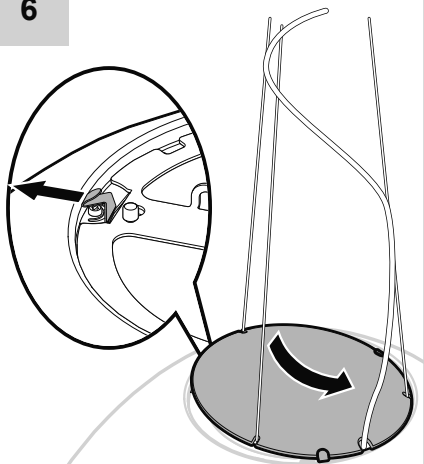
4



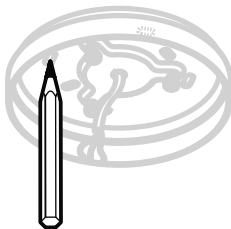
5



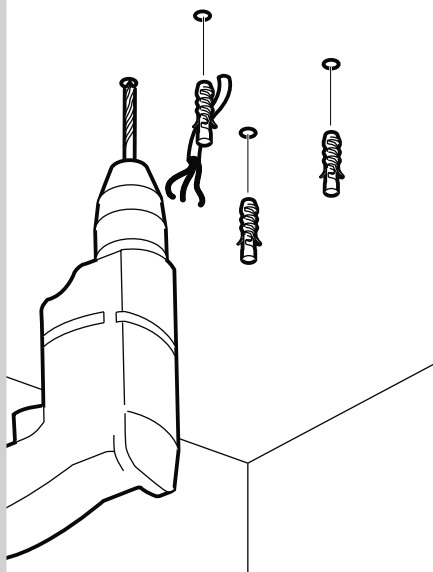
6



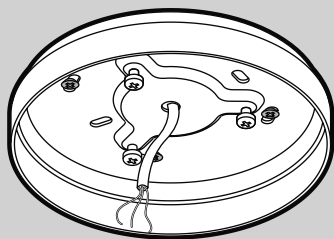
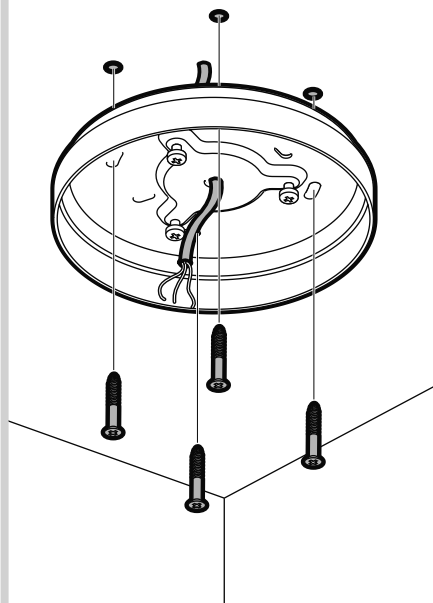
7



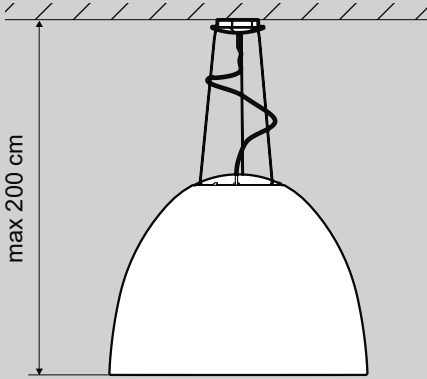
8



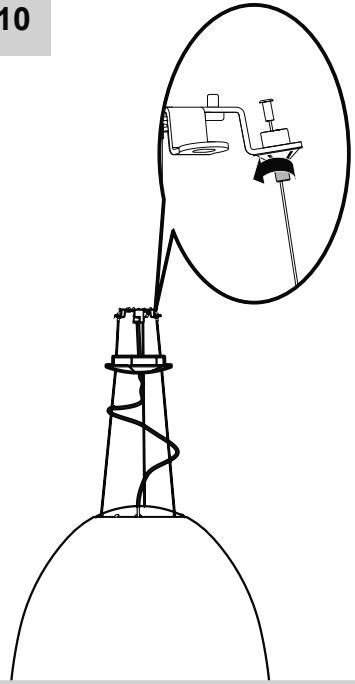
9



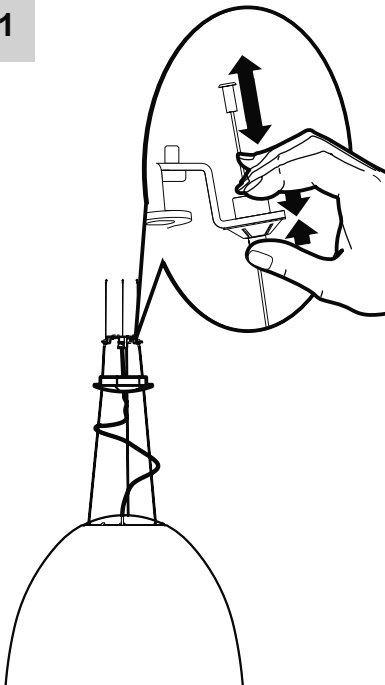
i



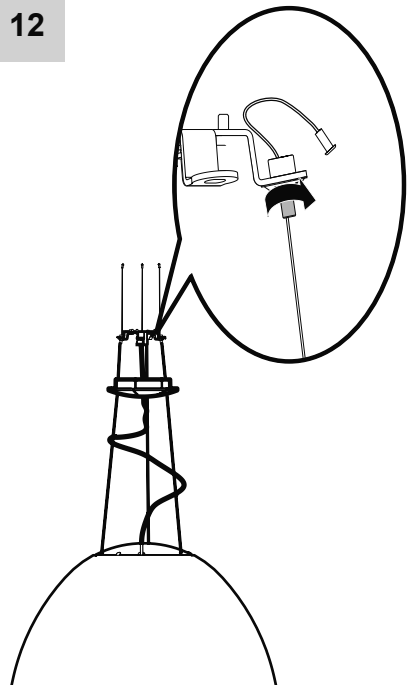
10



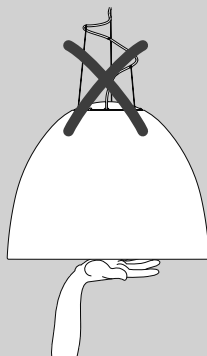
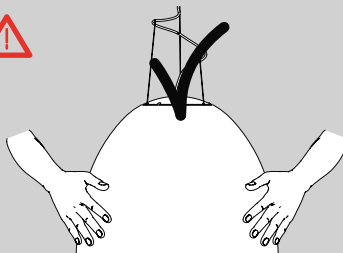
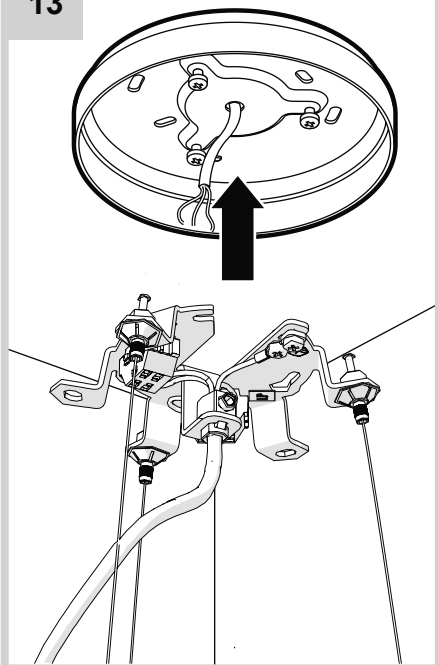
11



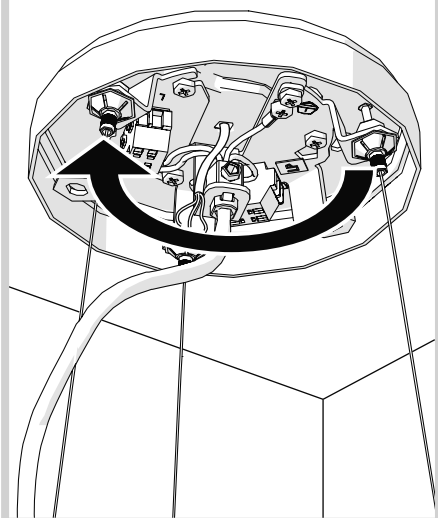
12



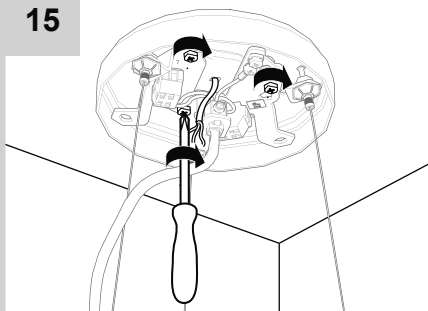
13



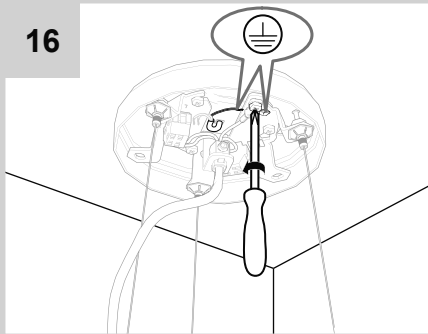
14



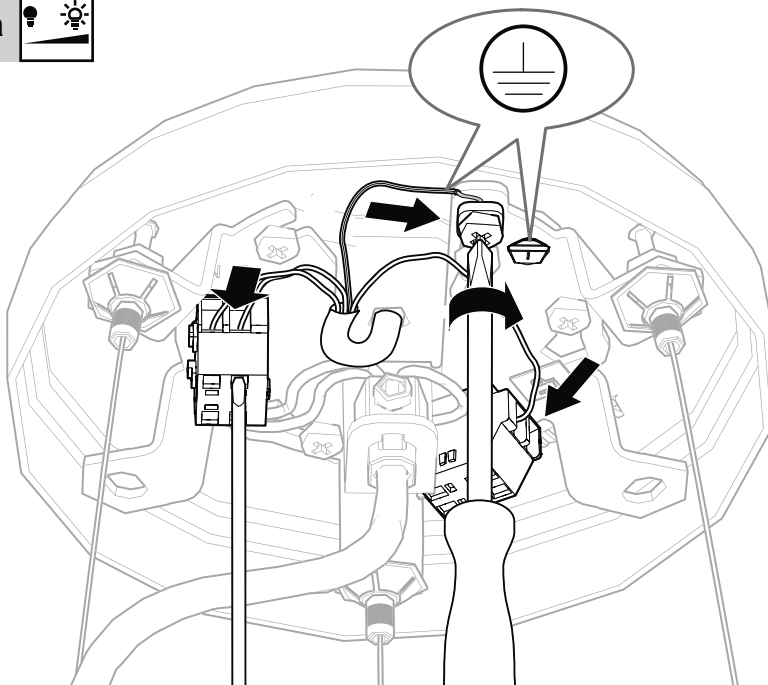
15



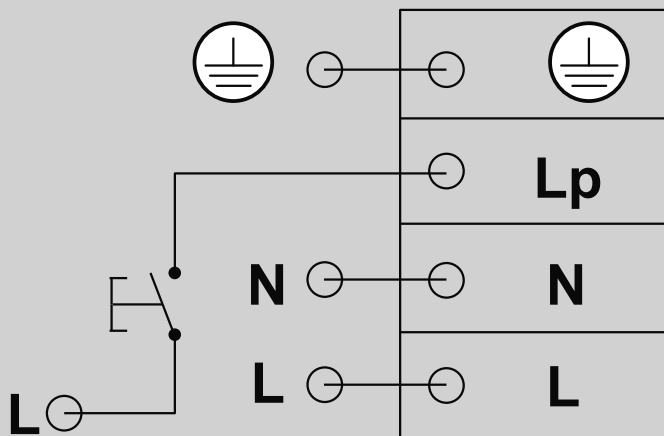
16



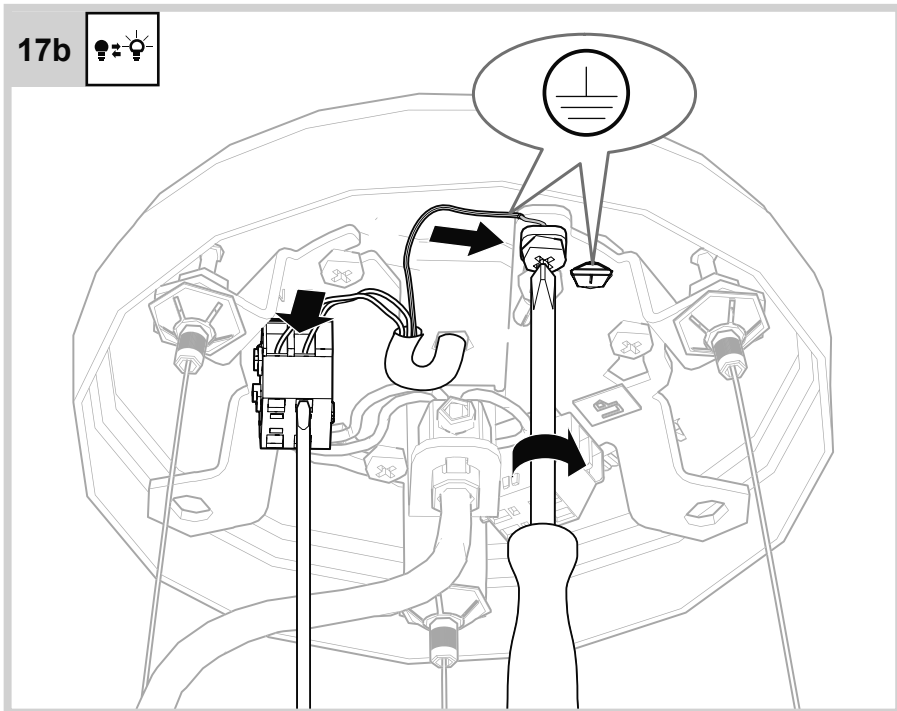
17a



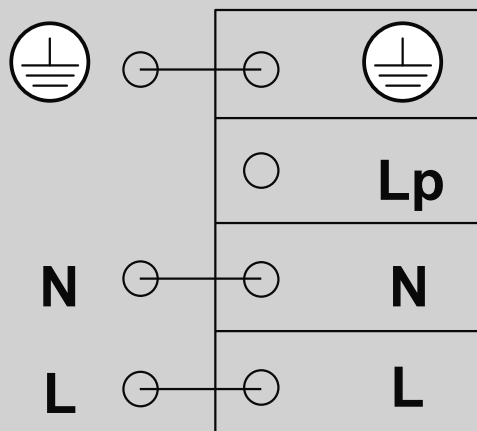
i



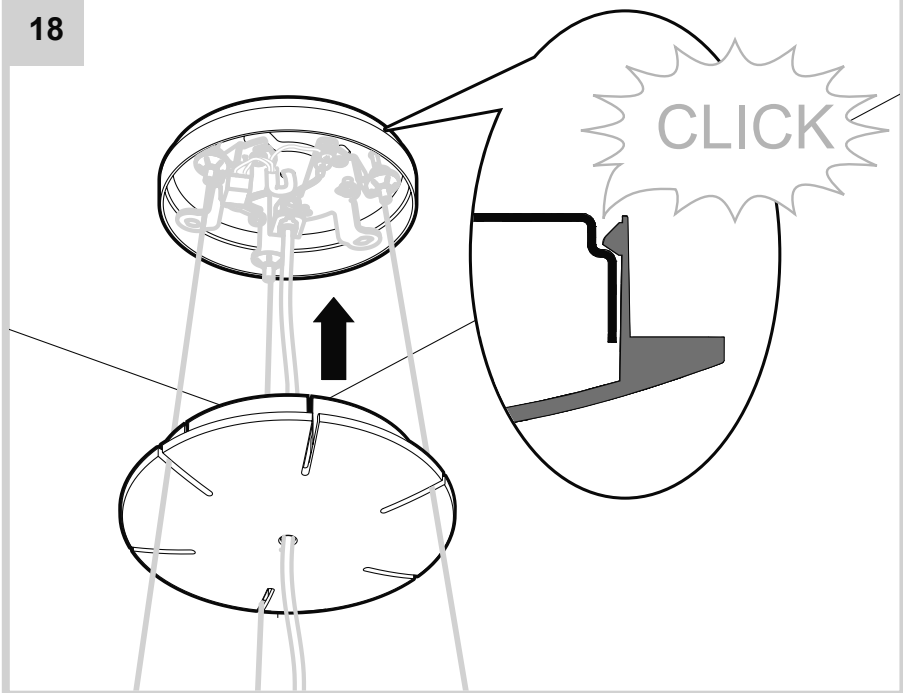
17b



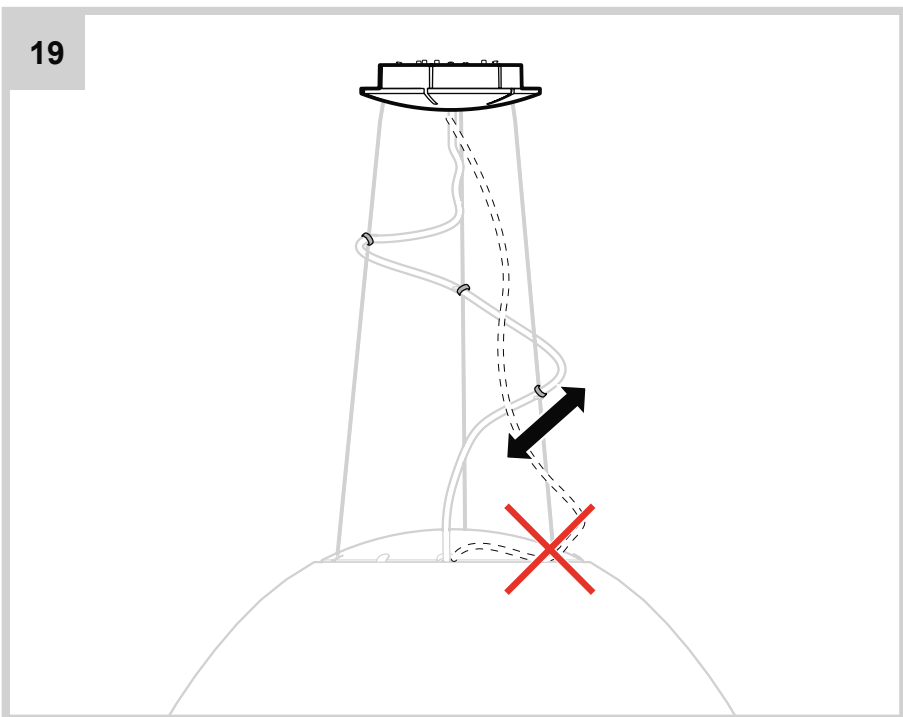
i



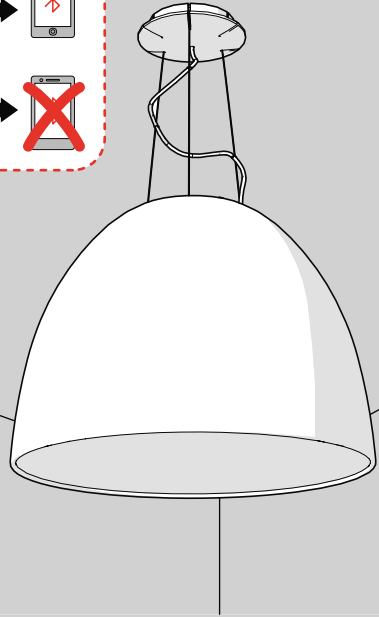
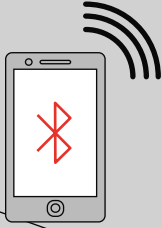
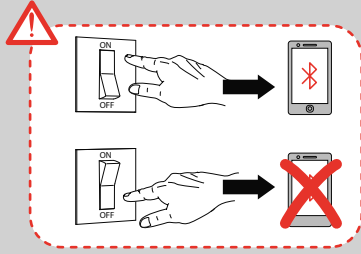
18



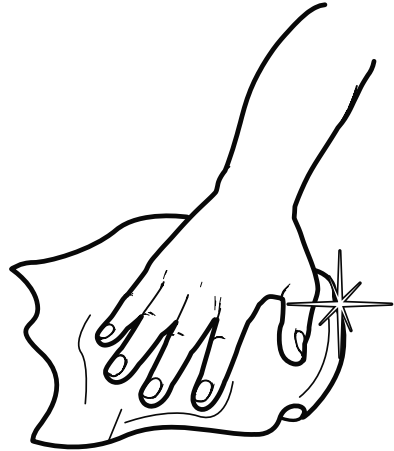
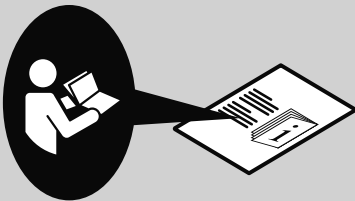
19



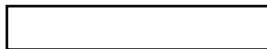
i



i



Artemide®



Artemide

via Bergamo, 18
20010 Pregnana M.se (MI)
ITALIA

tel. +39 02 935 181
fax +39 02 935 90 254
fax +39 02 935 90 496

www.artemide.com

VAT IT00846890150

cod. Y513001359B