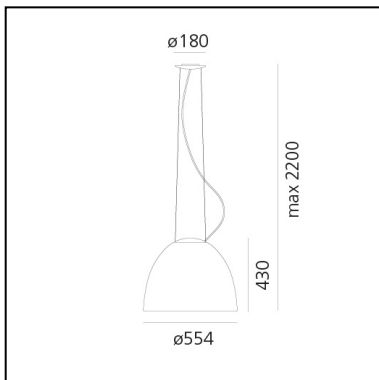


# Nur - Suspension - Anodized Aluminium

Ernesto Gismondi



IP20     Dimmerable: 



## LUMINAIRE

- Watt: **21W**
- Voltage: **220V-240V**
- Delivered lumen output: **1417lm**
- Efficiency: **58%**
- Efficacy: **67.46lm/W**
- CRI: **80**

## Notes

As accessory, are available an antidazzle cap and a coloured filter.

## DESCRIPTION

An extreme geometric synthesis of optics par excellence, Nur manifests its presence through a monolithic and mono-material body. The essential and geometrically calibrated lines of a perfect parabola conceal an optical heart that perfectly controls the emission, without offending direct vision. It ensures general ambient lighting thanks also to indirect emission. Artemide App Compatible.

## FEATURES

- Product Code: **A240610**
- Colour: **Anodized Aluminium**
- Installation: **Suspension**
- Material: **Aluminium, glass**
- Series: **Design Collection**
- Environment: **Indoor**
- Area contract: **Hospitality, Office, Residential**
- Emission: **Direct/indirect**
- design by: **Ernesto Gismondi**

## DIMENSIONS

- Height: **430 mm**
- Diameter: **550 mm**
- Base Diameter: **180 mm**
- Max Height from ceiling: **2200 mm**
- Glow Wire Test: **650°C**

## SOURCES NOT INCLUDED

- Category: **LED RETROFIT**
- Number: **1**
- Watt: **21W**
- Socket: **E27**

**Accessories**



NUR FILTRO COLORATO PER ALOG 250W\*  
A249300



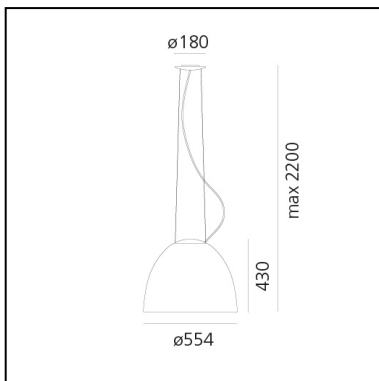
NUR CUPOLA ANTIABBAGL.PER ALOG 250W\*  
A249400

# Nur LED - Suspension - Anthracite Grey - App Compatible

Ernesto Gismondi



IP20     Dimmerable: +  -



## LUMINAIRE

- Power Supply: **Electronic Integrated**
- Watt: **45W**
- Voltage: **220V-240V**
- Delivered lumen output: **1882lm**
- CCT: **2700K**
- Efficiency: **52%**
- Efficacy: **41.82lm/W**
- CRI: **90**
- Dimmable Typology: **APP**

## DESCRIPTION

An extreme geometric synthesis of optics par excellence, Nur manifests its presence through a monolithic and mono-material body. The essential and geometrically calibrated lines of a perfect parabola conceal an optical heart that perfectly controls the emission, without offending direct vision. It ensures general ambient lighting thanks also to indirect emission. Artemide App Compatible.

## FEATURES

- Product Code: **A243300APP**
- Colour: **Anthracite Grey**
- Installation: **Suspension**
- Material: **Aluminium, methacrylate, glass**
- Series: **Design Collection**
- Environment: **Indoor**
- Area contract: **Hospitality, Office, Residential**
- Emission: **Direct/indirect**
- design by: **Ernesto Gismondi**

## DIMENSIONS

- Height: **430 mm**
- Diameter: **550 mm**
- Max Height from ceiling: **2200 mm**
- Glow Wire Test: **650°C**

## SOURCES INCLUDED

- Category: **Led**
- Number: **1**
- Watt: **37W**
- Delivered lumen output: **3747lm**
- Color temperature (K): **2700K**
- CRI: **90**
- Color Tolerance: **MacAdam 2SDCM**
- Efficacy: **103lm/W**
- Service Life: **50000-L70**

**Accessories**

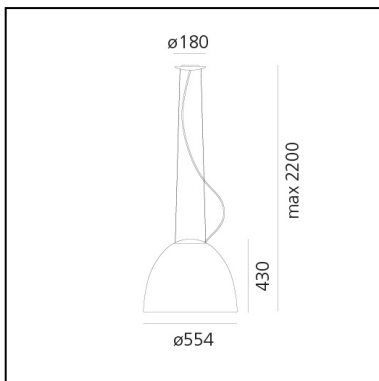
Device for switching and controlling Artemide App products. Max N.3 inputs for external push buttons. Max 1m distance. Mains power supply required. To be installed inside flush mounting boxes or junction boxes. DV1080APP

# Nur LED - Suspension - Anodized Aluminium - App Compatible

Ernesto Gismondi



IP20     Dimmerable: 



## LUMINAIRE

- Power Supply: **Electronic Integrated**
- Watt: **45W**
- Voltage: **220V-240V**
- Delivered lumen output: **1882lm**
- CCT: **2700K**
- Efficiency: **52%**
- Efficacy: **41.82lm/W**
- CRI: **90**
- Dimmable Typology: **APP**

## Notes

## DESCRIPTION

An extreme geometric synthesis of optics par excellence, Nur manifests its presence through a monolithic and mono-material body. The essential and geometrically calibrated lines of a perfect parabola conceal an optical heart that perfectly controls the emission, without offending direct vision. It ensures general ambient lighting thanks also to indirect emission. Artemide App Compatible.

## FEATURES

- Product Code: **A243310APP**
- Colour: **Anodized Aluminium**
- Installation: **Suspension**
- Material: **Aluminium, methacrylate, glass**
- Series: **Design Collection**
- Environment: **Indoor**
- Area contract: **Hospitality, Office, Residential**
- Emission: **Direct/indirect**
- design by: **Ernesto Gismondi**

## DIMENSIONS

- Height: **430 mm**
- Diameter: **550 mm**
- Max Height from ceiling: **2200 mm**
- Glow Wire Test: **650°C**

## SOURCES INCLUDED

- Category: **Led**
- Number: **1**
- Watt: **37W**
- Delivered lumen output: **3747lm**
- Color temperature (K): **2700K**
- CRI: **90**
- Color Tolerance: **MacAdam 2SDCM**
- Efficacy: **103lm/W**
- Service Life: **50000-L70**

**Accessories**

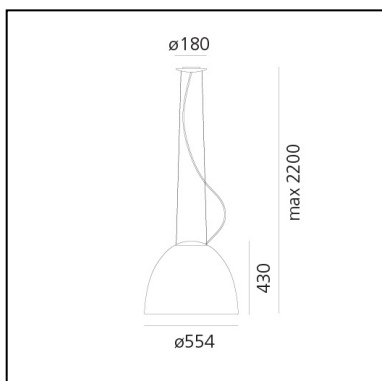
Device for switching and controlling Artemide App products. Max N.3 inputs for external push buttons. Max 1m distance. Mains power supply required. To be installed inside flush mounting boxes or junction boxes. DV1080APP

# Nur - Suspension - Anthracite Grey

Ernesto Gismondi



IP20     Dimmerable: +0-



## LUMINAIRE

- Watt: **21W**
- Voltage: **220V-240V**
- Delivered lumen output: **1417lm**
- Efficiency: **58%**
- Efficacy: **67.46lm/W**
- CRI: **80**

## Notes

As accessory, are available an antidazzle cap and a coloured filter.

## DESCRIPTION

An extreme geometric synthesis of optics par excellence, Nur manifests its presence through a monolithic and mono-material body. The essential and geometrically calibrated lines of a perfect parabola conceal an optical heart that perfectly controls the emission, without offending direct vision. It ensures general ambient lighting thanks also to indirect emission. Artemide App Compatible.

## FEATURES

- Product Code: **A240600**
- Colour: **Anthracite Grey**
- Installation: **Suspension**
- Material: **Aluminium, glass**
- Series: **Design Collection**
- Environment: **Indoor**
- Area contract: **Hospitality, Office, Residential**
- Emission: **Direct/indirect**
- design by: **Ernesto Gismondi**

## DIMENSIONS

- Height: **430 mm**
- Diameter: **550 mm**
- Base Diameter: **180 mm**
- Max Height from ceiling: **2200 mm**
- Glow Wire Test: **650°C**

## SOURCES NOT INCLUDED

- Category: **LED RETROFIT**
- Number: **1**
- Watt: **21W**
- Socket: **E27**

**Accessories**



NUR FILTRO COLORATO PER ALOG 250W\*  
A249300



NUR CUPOLA ANTIABBAGL.PER ALOG 250W\*  
A249400

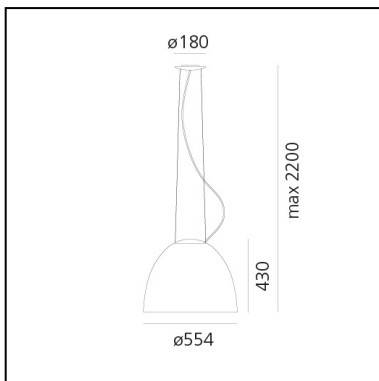


# Nur LED White Integralis - Suspension - Anodized Aluminium - App Compatible

Ernesto Gismondi



IP20   Dimmerable: 



## LUMINAIRE

### DAY MODE

- Watt: **45W**
- Voltage: **220V-240V**
- Delivered lumen output: **2423lm**
- Radiant Flux: **1413mW**
- CCT: **5000K**
- Efficiency: **52%**
- Efficacy: **53.84lm/W**
- CRI: **90**
- Dimmable Typology: **APP**

### Notes

## DESCRIPTION

An extreme geometric synthesis of optics par excellence, Nur manifests its presence through a monolithic and mono-material body. The essential and geometrically calibrated lines of a perfect parabola conceal an optical heart that perfectly controls the emission, without offending direct vision. With a 45W LED optical engine, it ensures general ambient lighting thanks also to indirect emission. In the WHITE INTEGRALIS version, compatible with Artemide App, Nur is designed to offer a white emission ensuring perfect perception while respecting the human presence and which at the same time combines control of microbial growth. It can vary in intensity and is available with a fixed CCT of 5000K, with a high color rendering index (CRI 90).

## FEATURES

- Product Code: **A243310INOAPP**
- Colour: **Anodized Aluminium**
- Installation: **Suspension**
- Material: **Aluminium, methacrylate, glass**
- Series: **Design Collection**
- Environment: **Indoor**
- Area contract: **Hospitality, Office, Residential**
- Emission: **Direct/indirect**
- design by: **Ernesto Gismondi**

## DIMENSIONS

- Height: **430 mm**
- Diameter: **550 mm**
- Max Height from ceiling: **2200 mm**
- Glow Wire Test: **650°C**

## SOURCES INCLUDED

- Category: **Led**
- Number: **1**
- Color temperature (K): **5000K**
- CRI: **90**
- Color Tolerance: **3SDCM**
- Service Life: **L80 (10K) 55000h**

**Accessories**

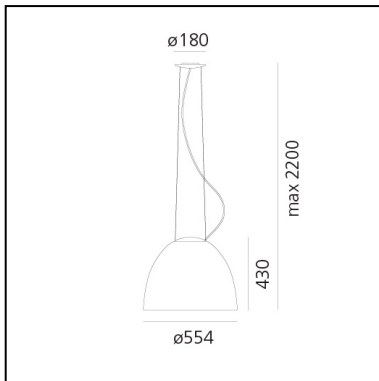
Device for switching and controlling Artemide App products. Max N.3 inputs for external push buttons. Max 1m distance. Mains power supply required. To be installed inside flush mounting boxes or junction boxes. DV1080APP

# Nur LED White Integralis - Suspension - Anthracite Grey - App Compatible

Ernesto Gismondi



IP20   Dimmerable: 



## LUMINAIRE

### DAY MODE

- Watt: **45W**
- Voltage: **220V-240V**
- Delivered lumen output: **2423lm**
- Radiant Flux: **1413mW**
- CCT: **5000K**
- Efficiency: **52%**
- Efficacy: **53.84lm/W**
- CRI: **90**
- Dimmable Typology: **APP**

## DESCRIPTION

An extreme geometric synthesis of optics par excellence, Nur manifests its presence through a monolithic and mono-material body. The essential and geometrically calibrated lines of a perfect parabola conceal an optical heart that perfectly controls the emission, without offending direct vision. With a 45W LED optical engine, it ensures general ambient lighting thanks also to indirect emission. In the WHITE INTEGRALIS version, compatible with Artemide App, Nur is designed to offer a white emission ensuring perfect perception while respecting the human presence and which at the same time combines control of microbial growth. It can vary in intensity and is available with a fixed CCT of 5000K, with a high color rendering index (CRI 90).

## FEATURES

- Product Code: **A243300INOAPP**
- Colour: **Anthracite Grey**
- Installation: **Suspension**
- Material: **Aluminium, methacrylate, glass**
- Series: **Design Collection**
- Environment: **Indoor**
- Area contract: **Hospitality, Office, Residential**
- Emission: **Direct/indirect**
- design by: **Ernesto Gismondi**

## DIMENSIONS

- Height: **430 mm**
- Diameter: **550 mm**
- Max Height from ceiling: **2200 mm**
- Glow Wire Test: **650°C**

## SOURCES INCLUDED

- Category: **Led**
- Number: **1**
- Color temperature (K): **5000K**
- CRI: **90**
- Color Tolerance: **3SDCM**
- Service Life: **L80 (10K) 55000h**

**Accessories**

Device for switching and controlling Artemide App products. Max N.3 inputs for external push buttons. Max 1m distance. Mains power supply required. To be installed inside flush mounting boxes or junction boxes. DV1080APP