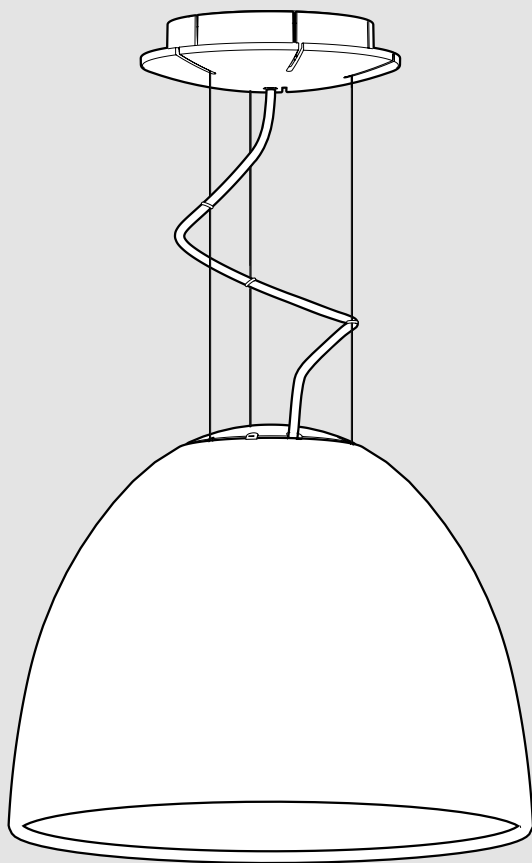


Artemide®

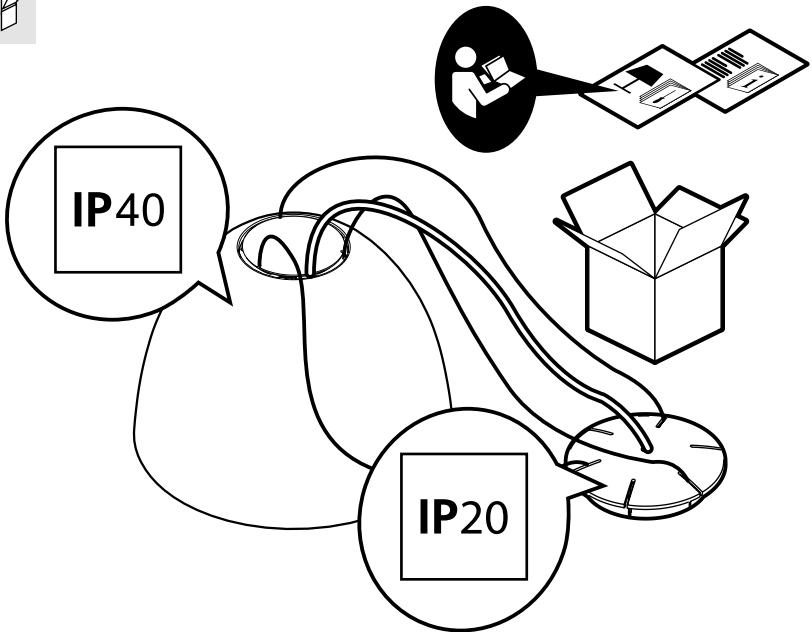
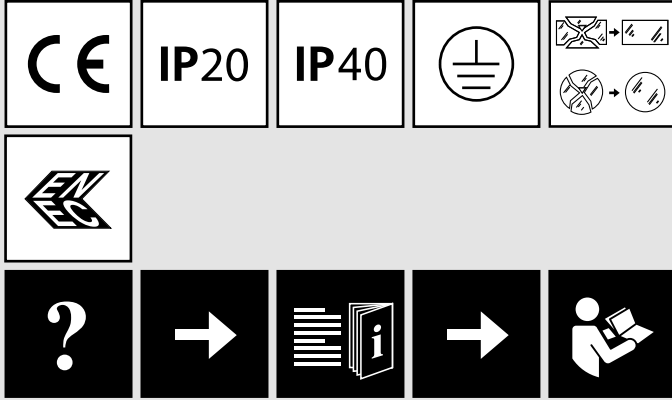
Nur mini

design
Ernesto Gismondi

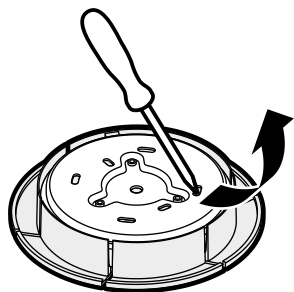




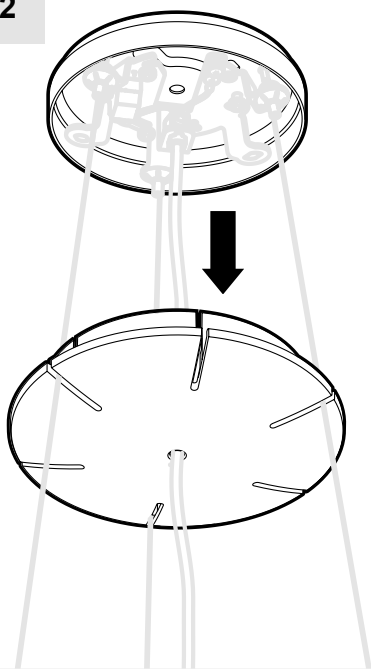
i



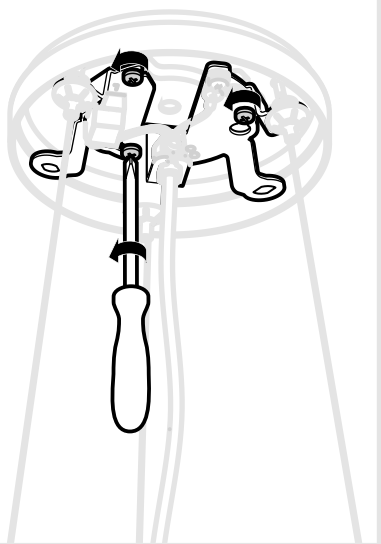
1



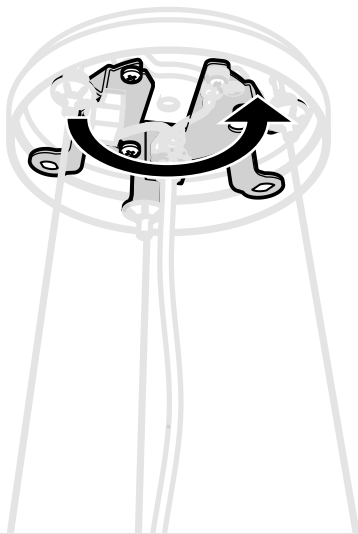
2



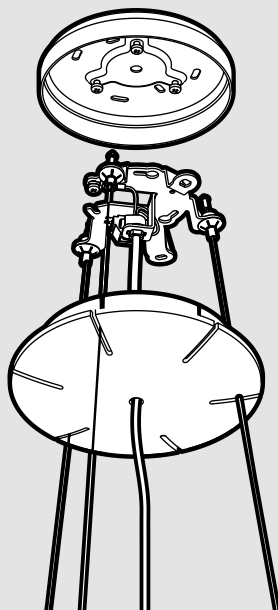
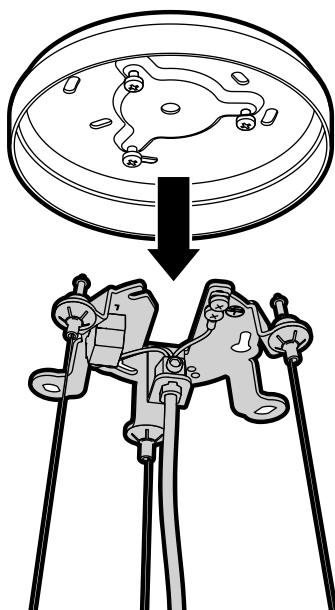
3

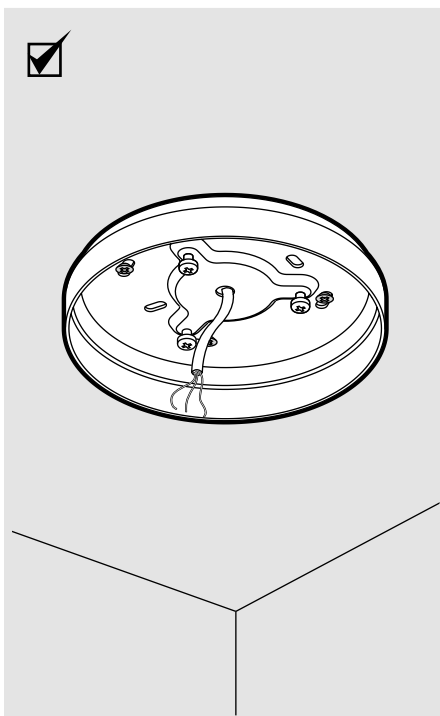
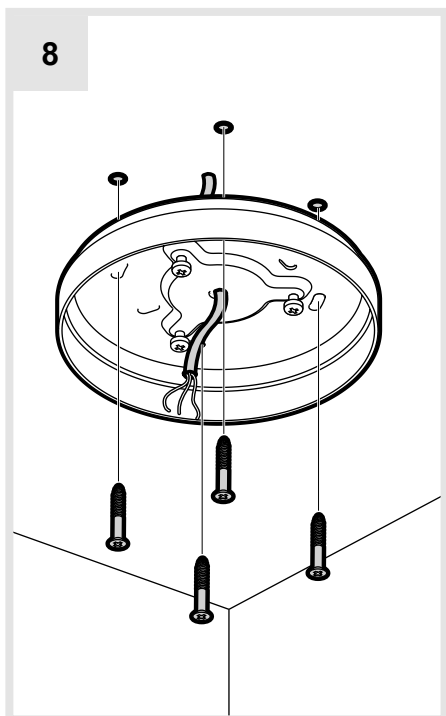
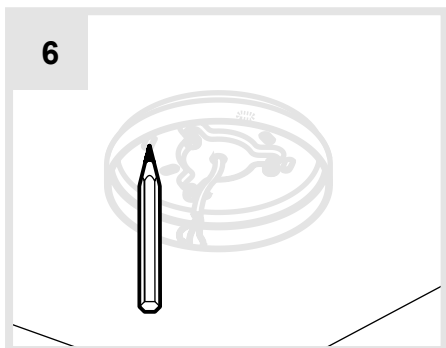
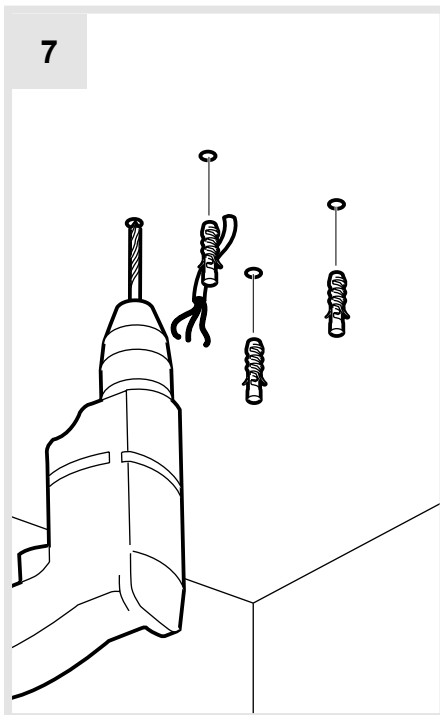
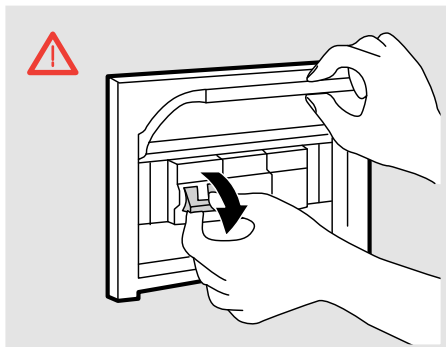


4

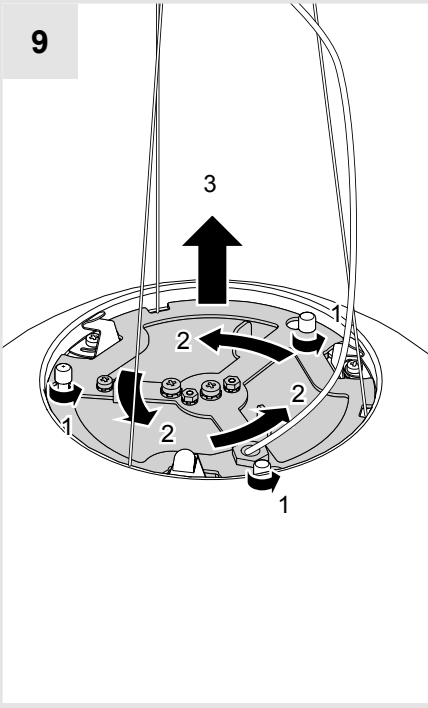


5

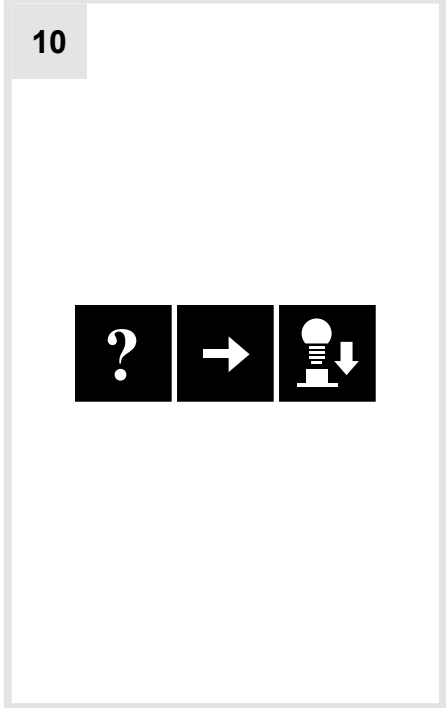




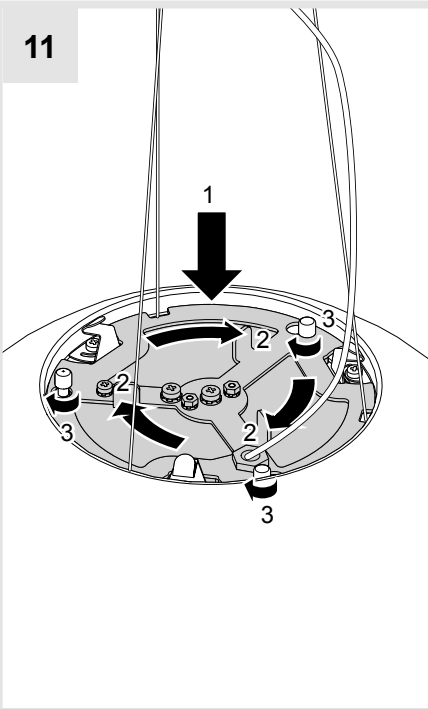
9



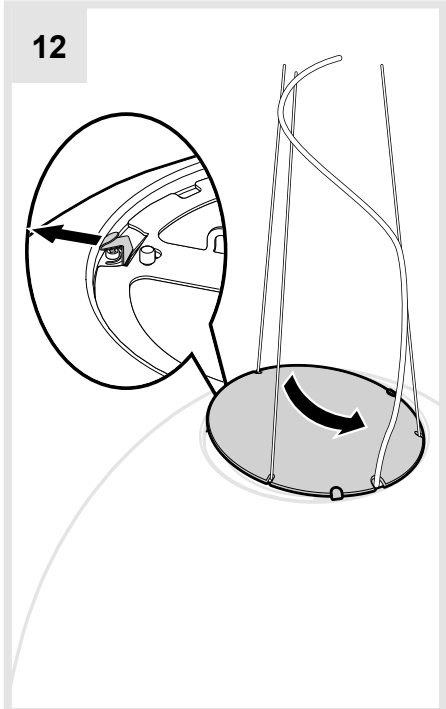
10

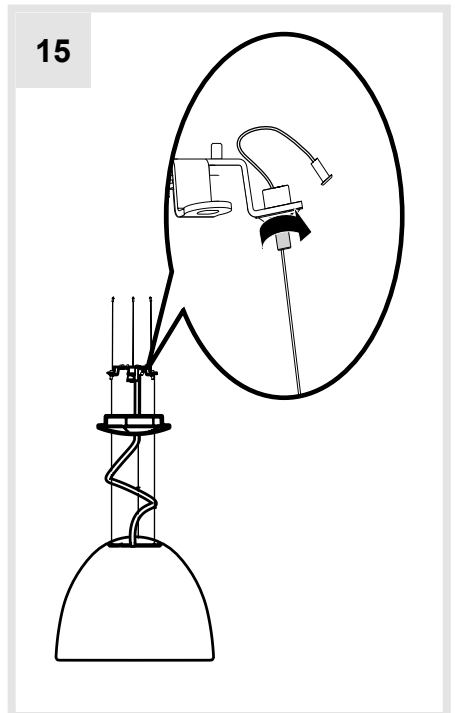
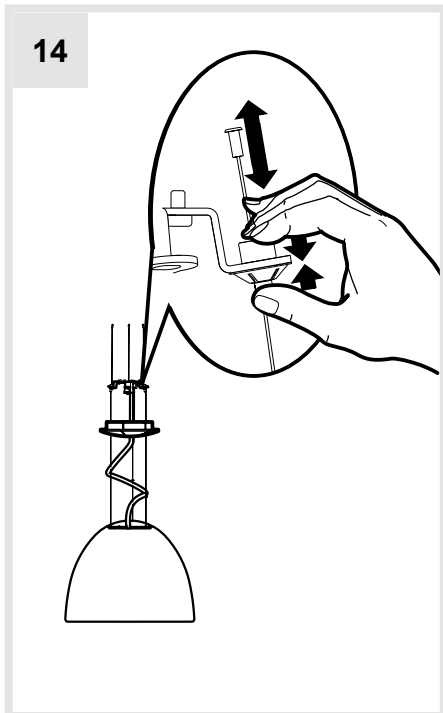
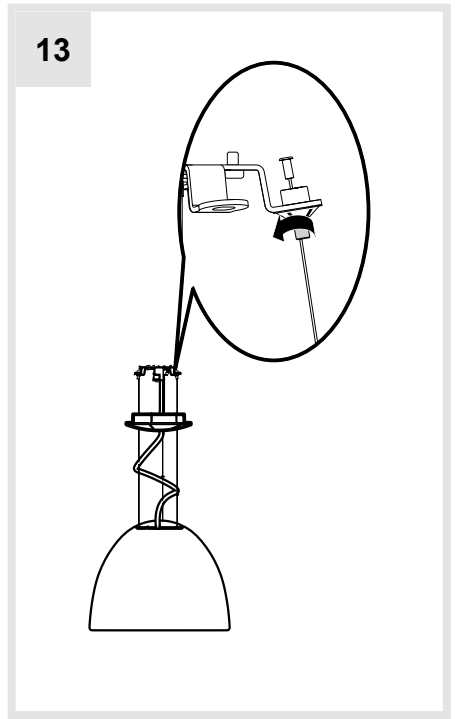
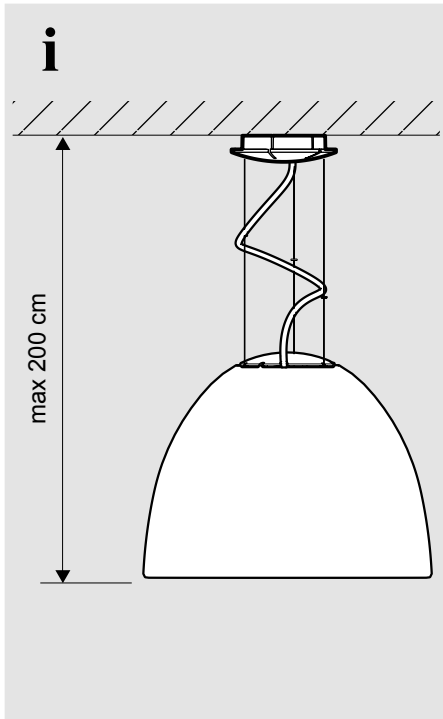


11

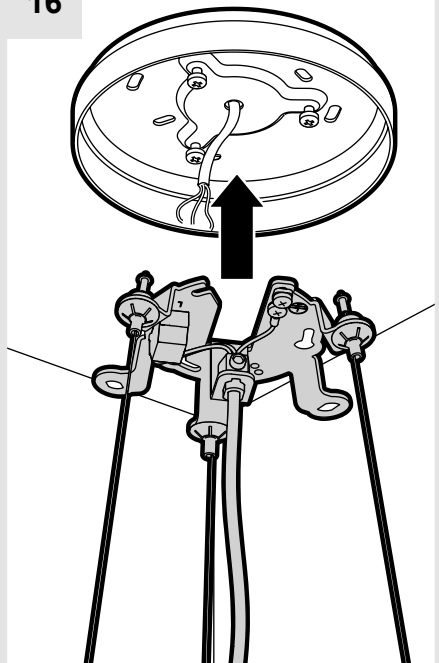


12





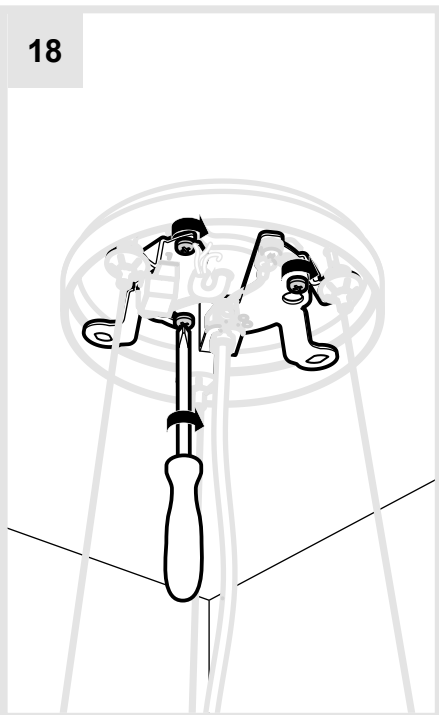
16



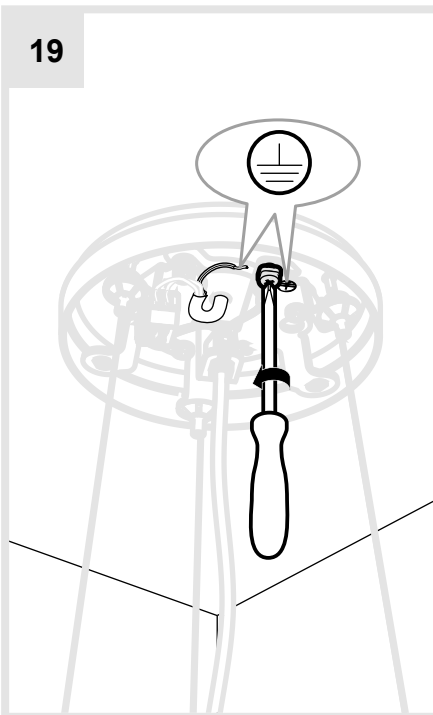
17



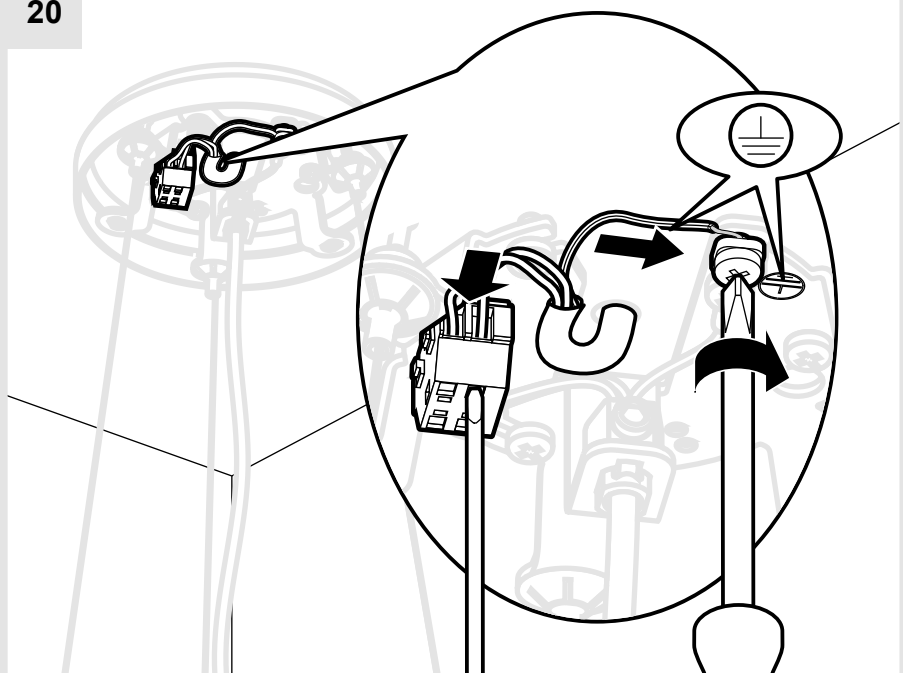
18



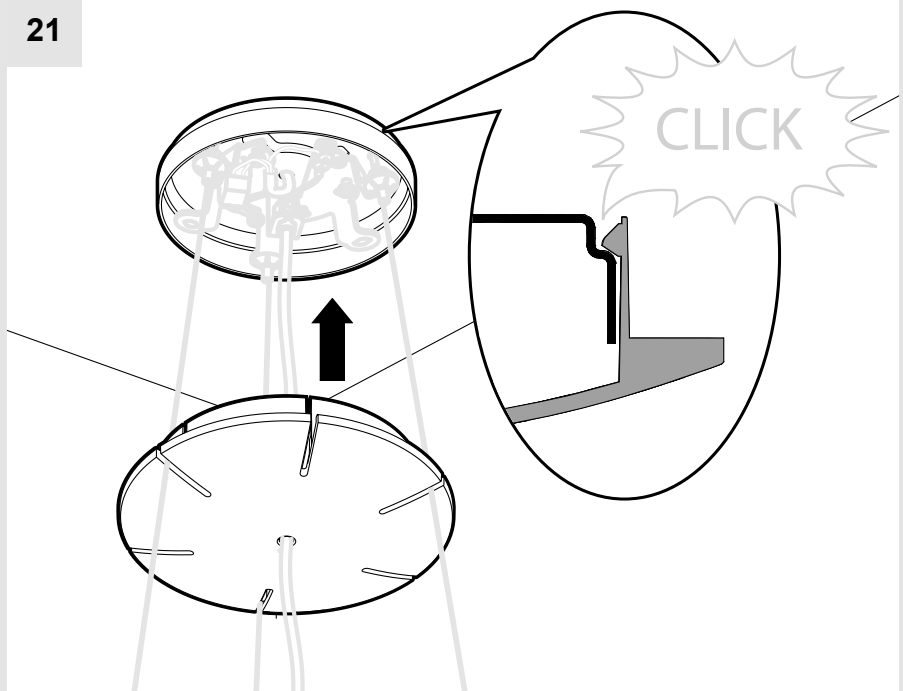
19



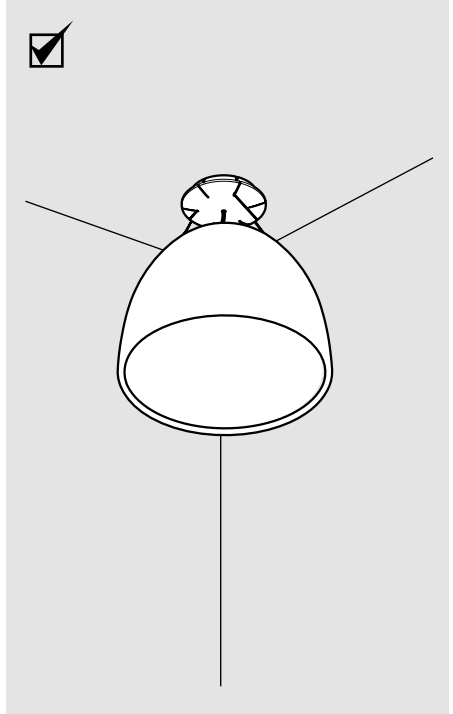
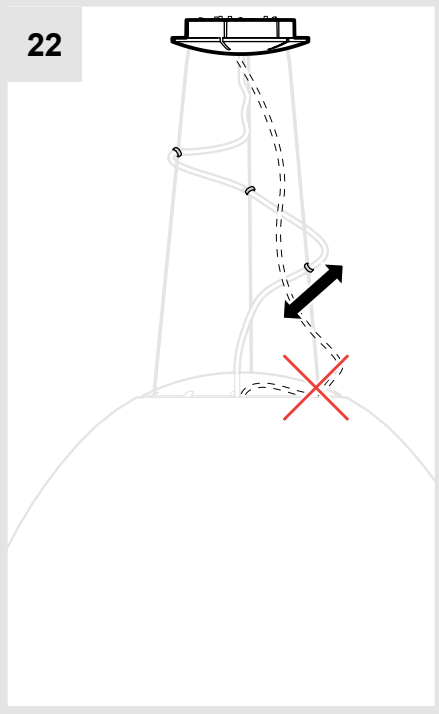
20



21

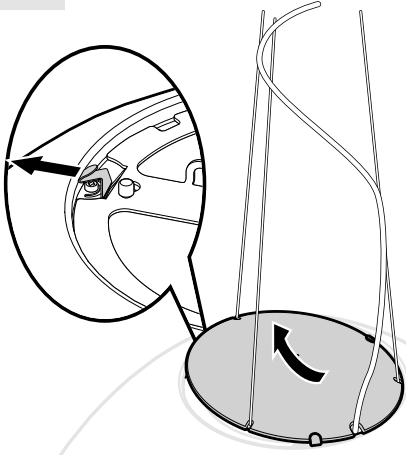


22

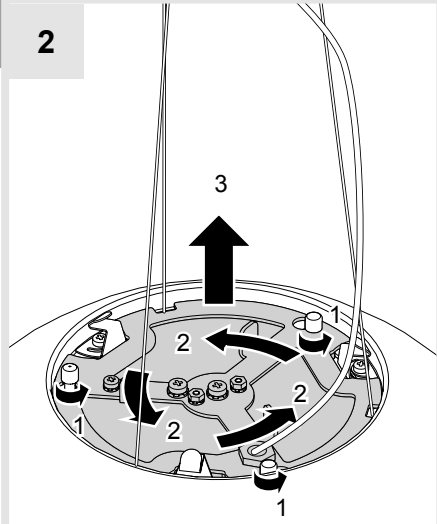




1



2



HALO



FLUO



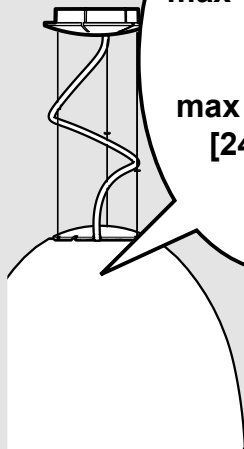
HQI



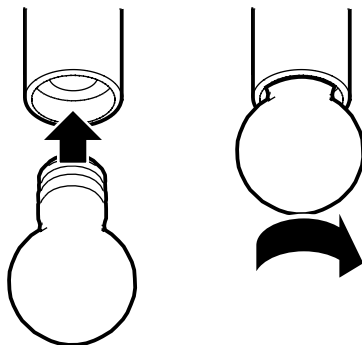


HALO
max 150W E27

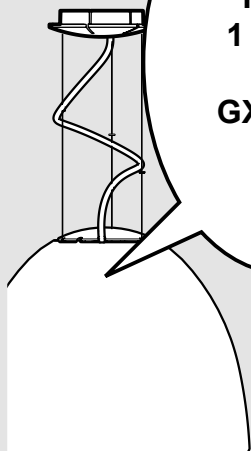
LED
max 21W E27
[2450 lm]



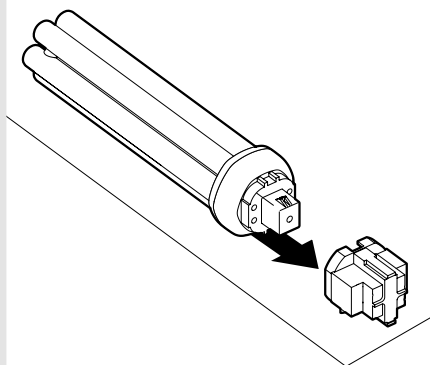
3a



FLUO
1 x 42W
FSM
GX 24q-4



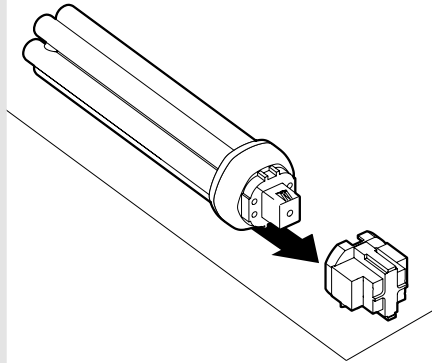
3b



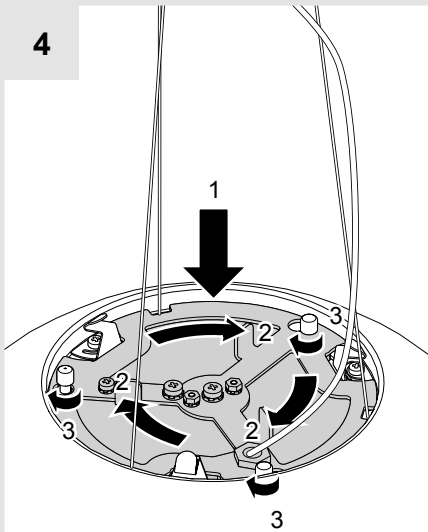


**HQI
1 x 35W
FSM
ME E27**

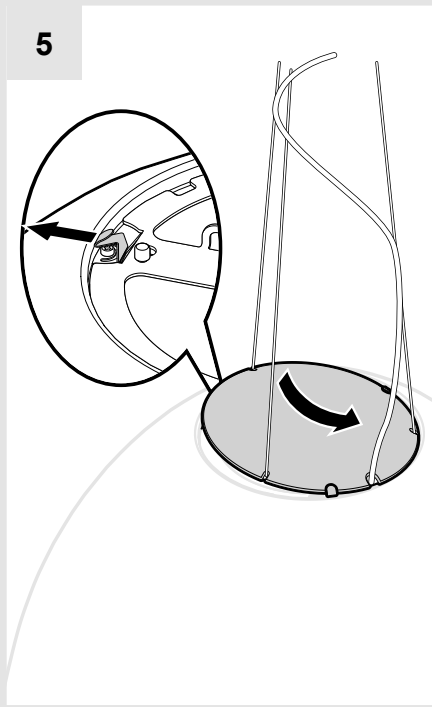
3b

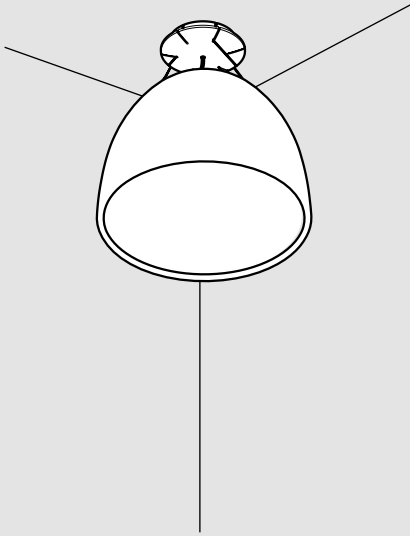


4

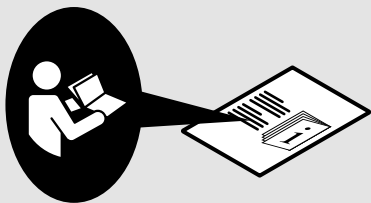


5

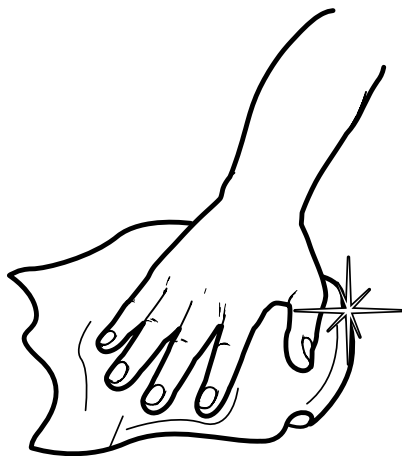




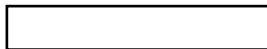
i



1



Artemide®



Artemide

via Bergamo, 18
20010 Pregnana M.se (MI)
ITALIA

tel. +39 02 935 181
fax +39 02 935 90 254
fax +39 02 935 90 496

www.artemide.com

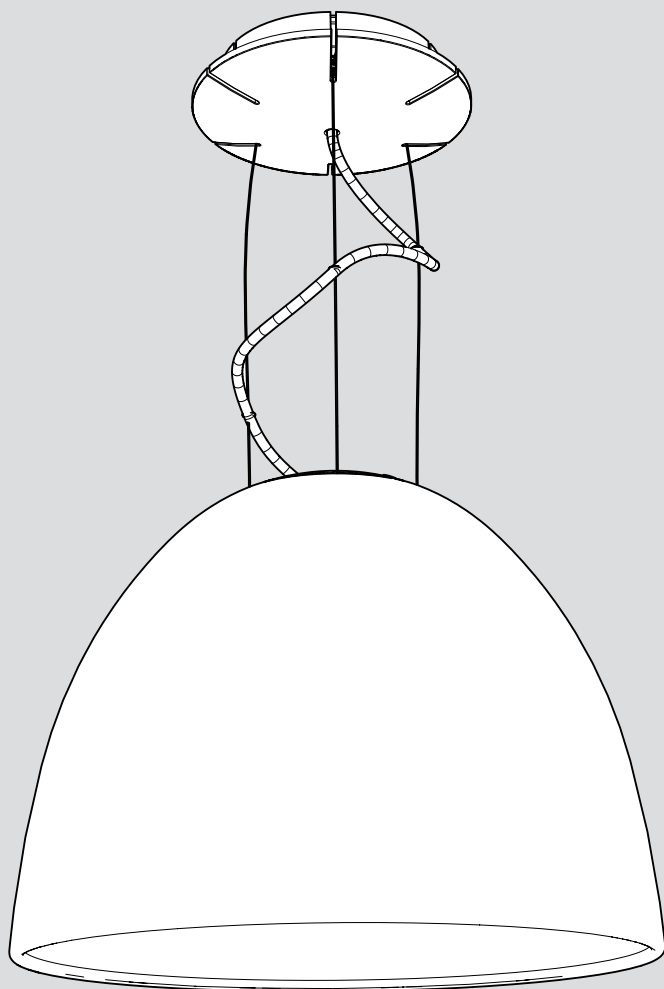
VAT IT00846890150

cod. Y513000023B

Artemide®

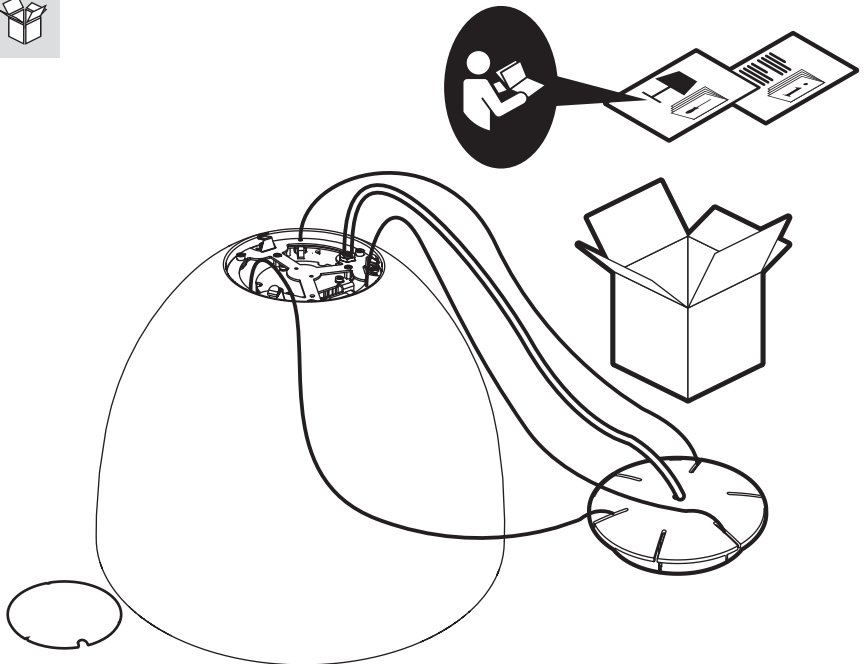
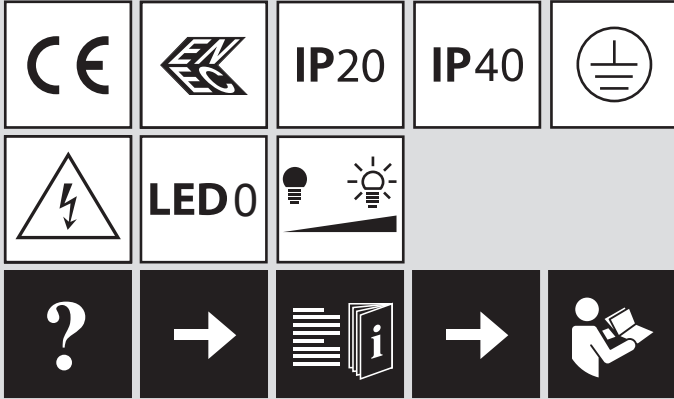
Nur mini

design
Ernesto Gismondi

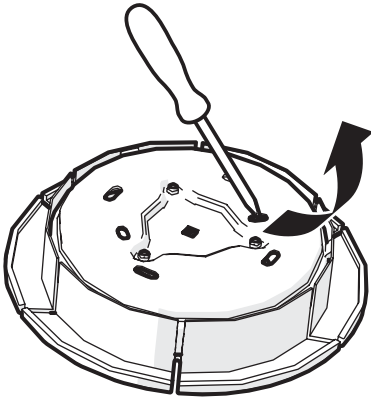




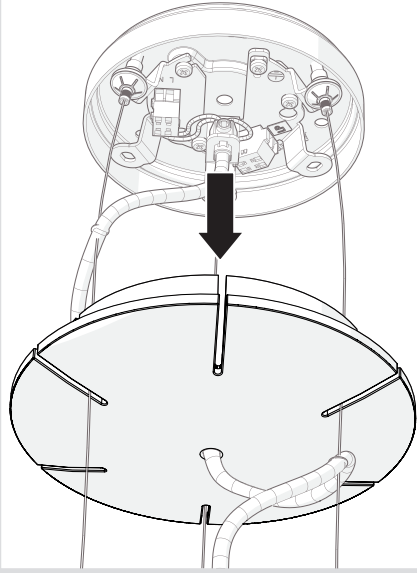
i



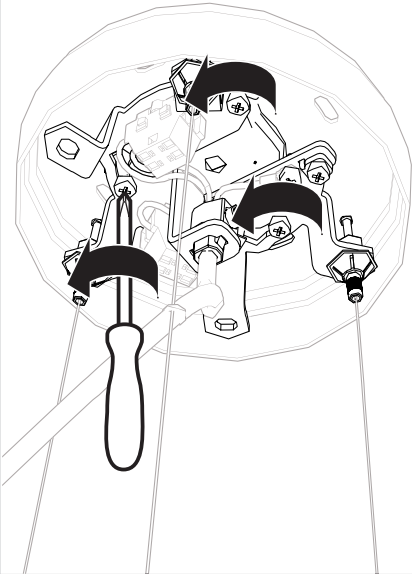
1



2



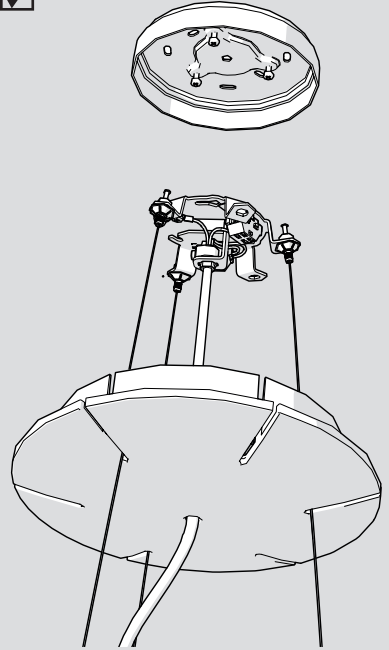
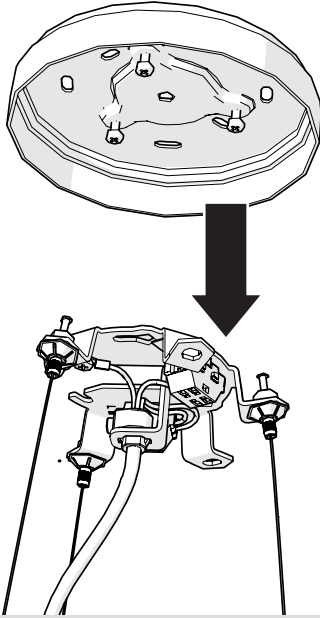
3



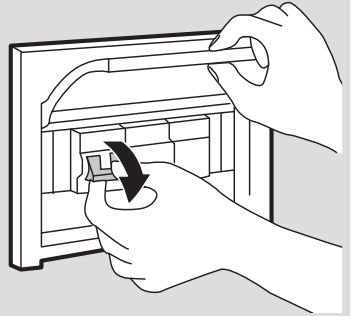
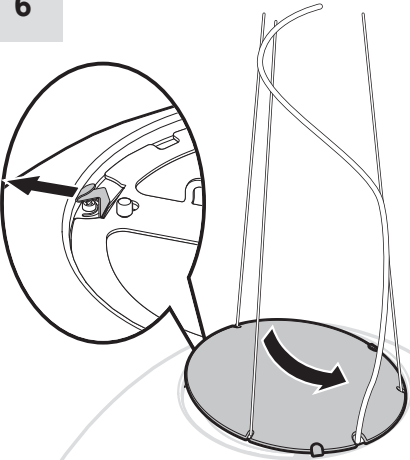
4



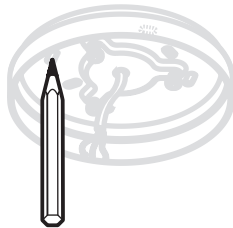
5



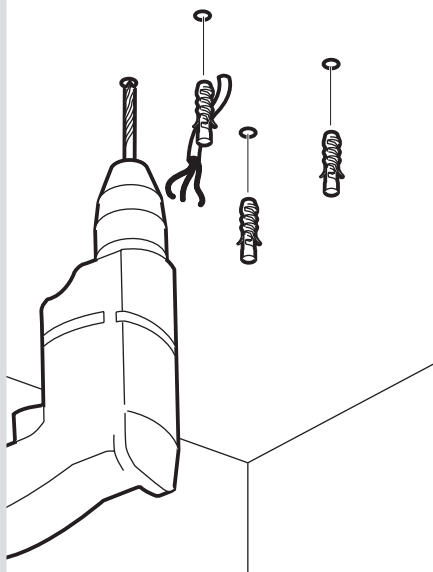
6



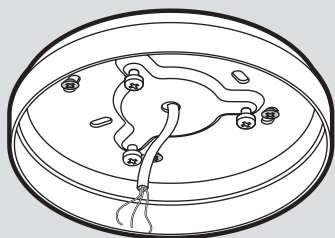
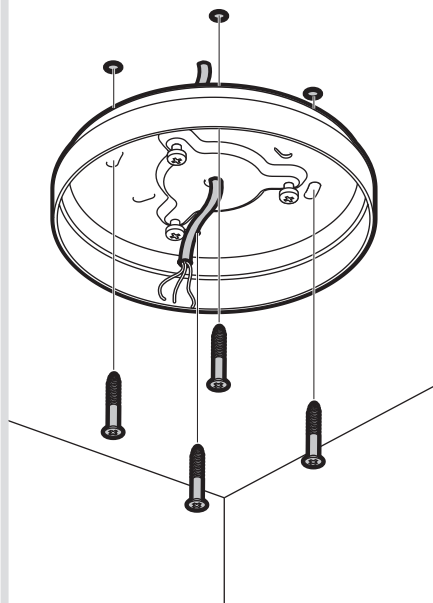
7

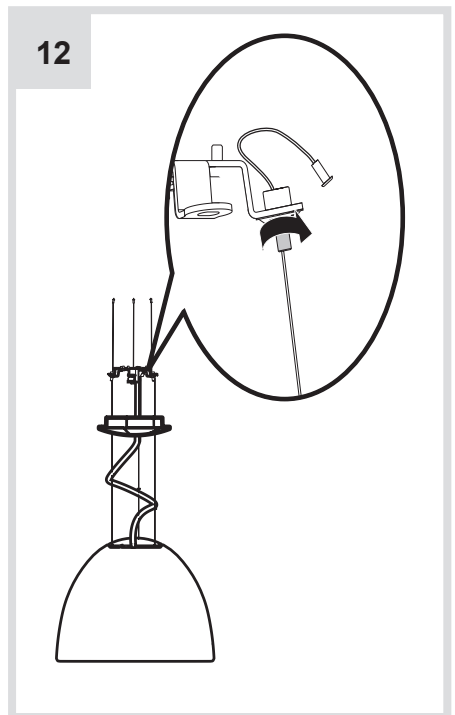
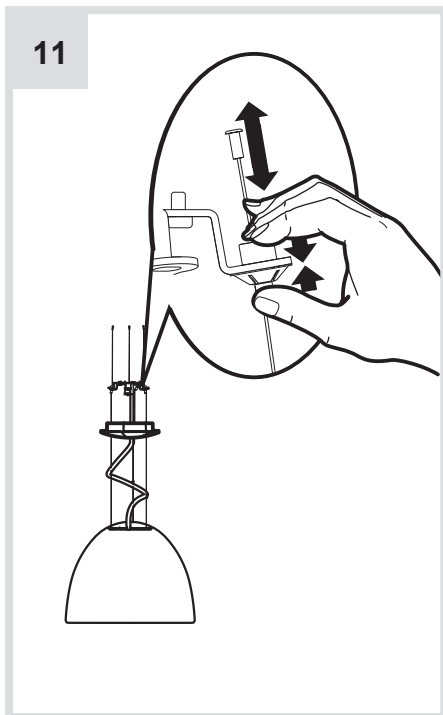
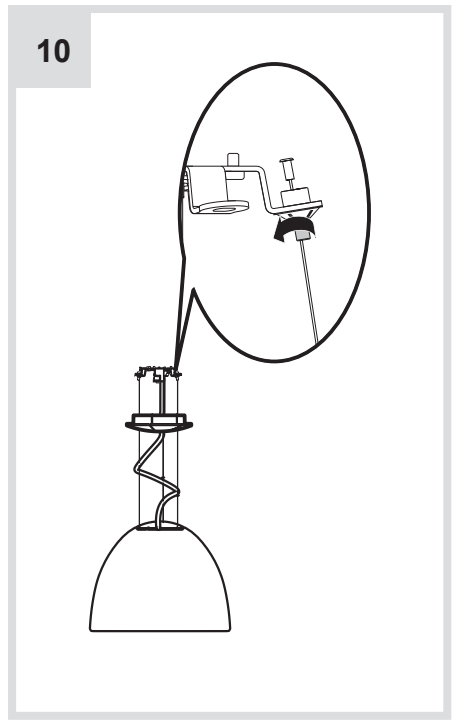
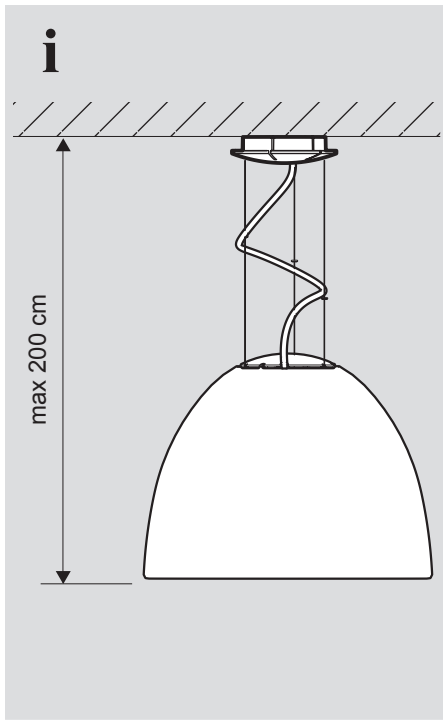


8

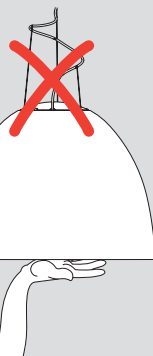
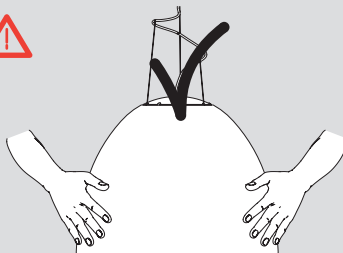
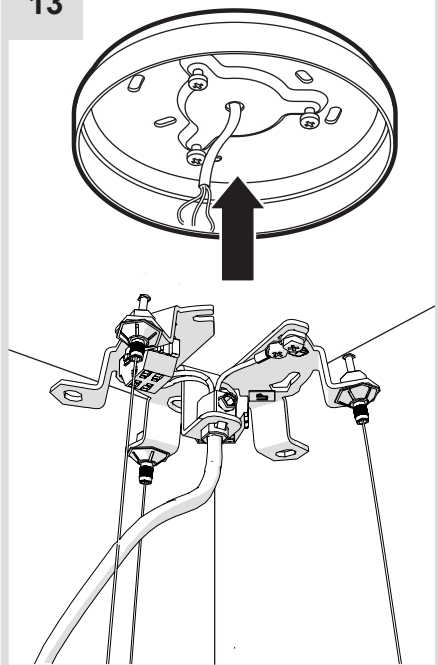


9

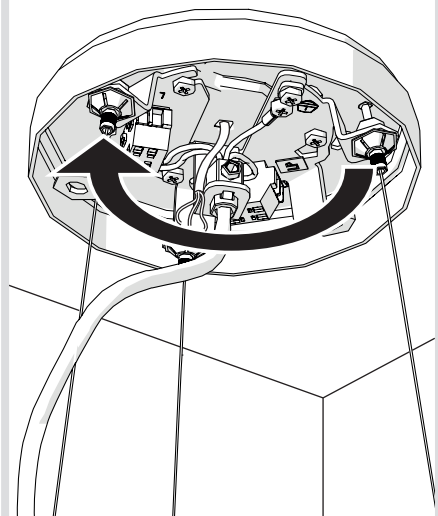




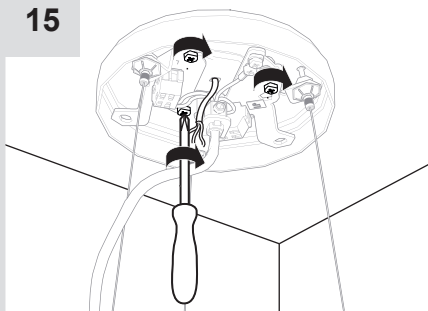
13



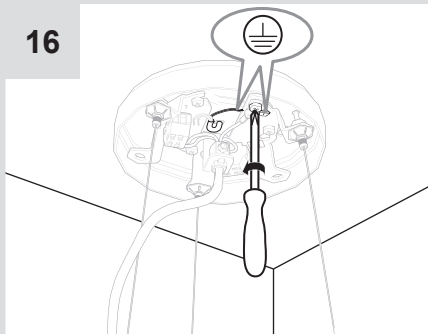
14



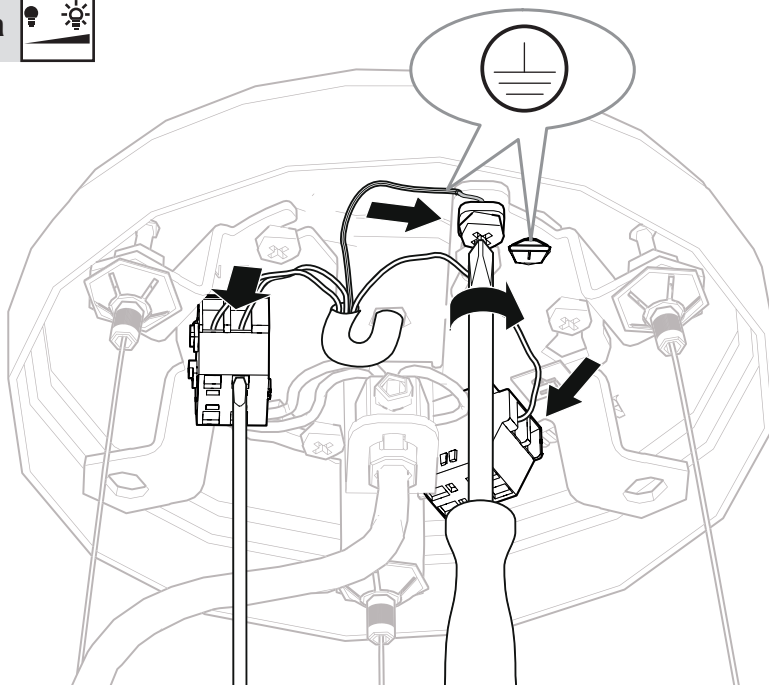
15



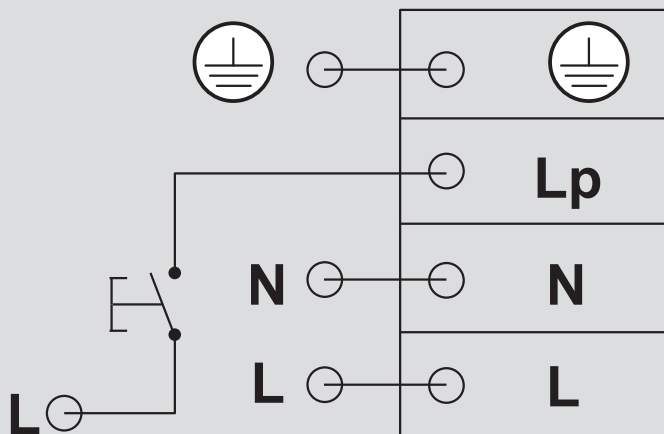
16



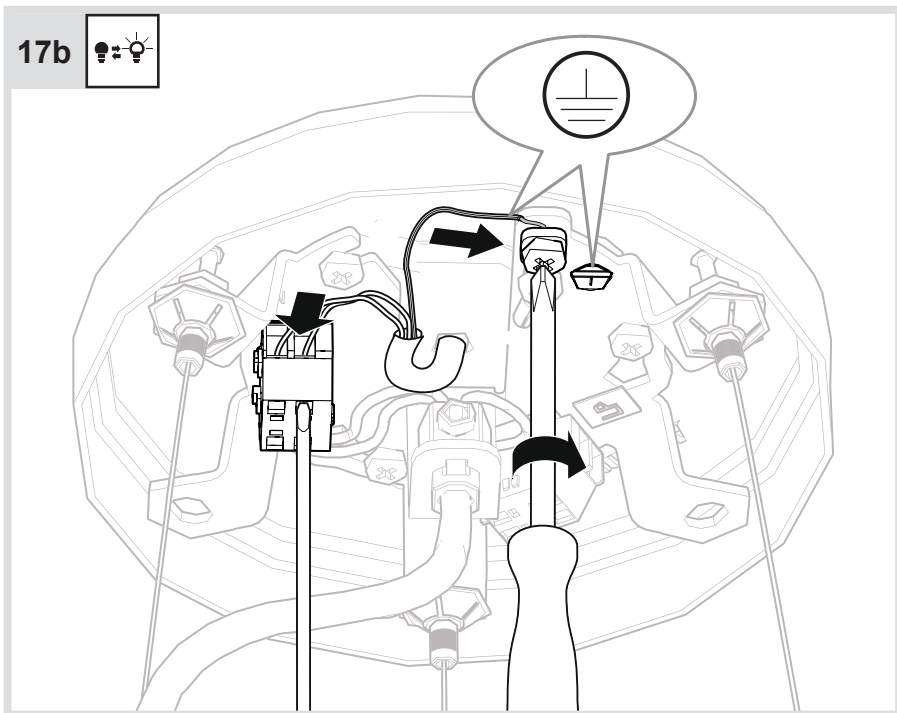
17a



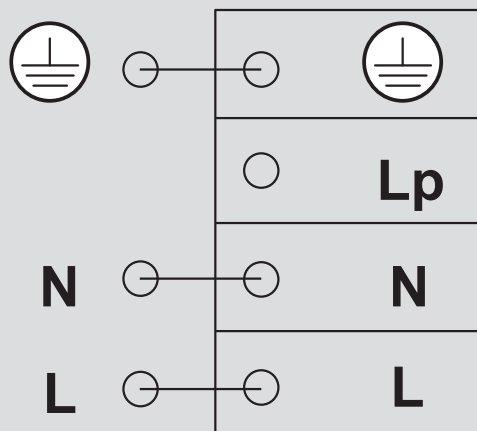
i



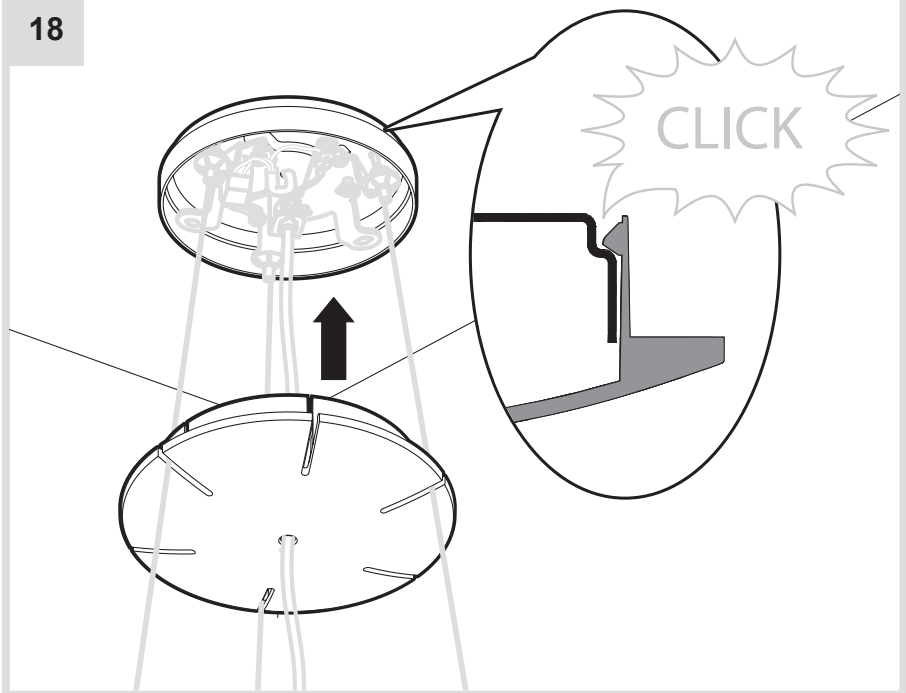
17b



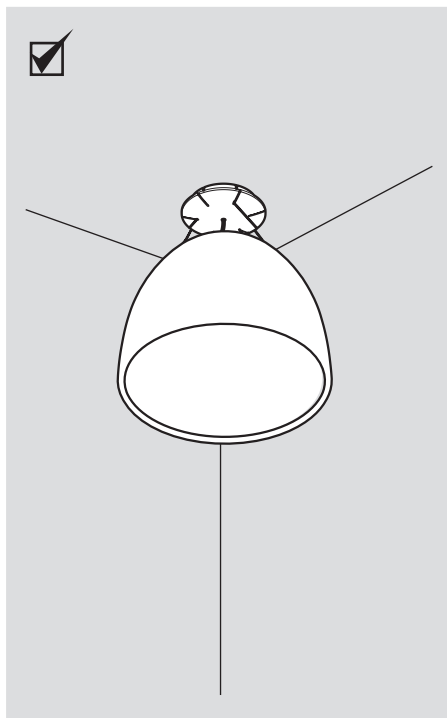
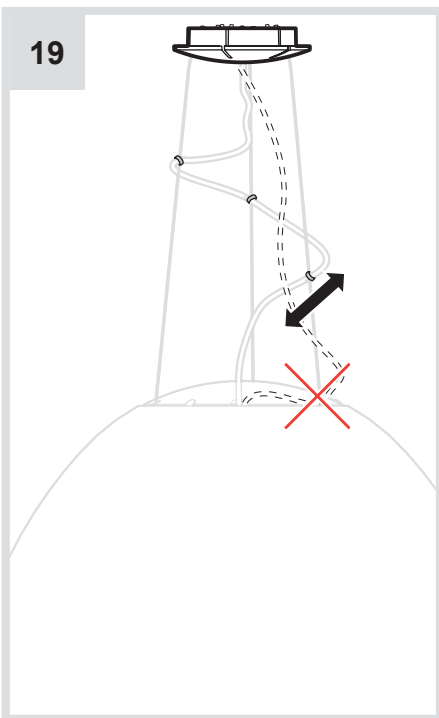
i



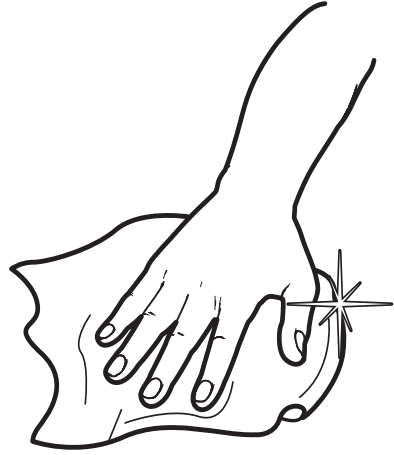
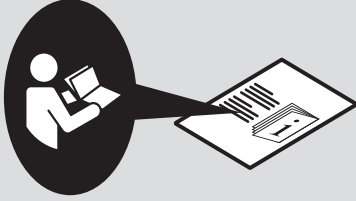
18



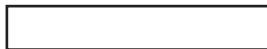
19



i



Artemide®



Artemide

via Bergamo, 18
20010 Pregnana M.se (MI)
ITALIA

tel. +39 02 935 181
fax +39 02 935 90 254
fax +39 02 935 90 496

www.artemide.com

VAT IT00846890150

cod. Y513000179A