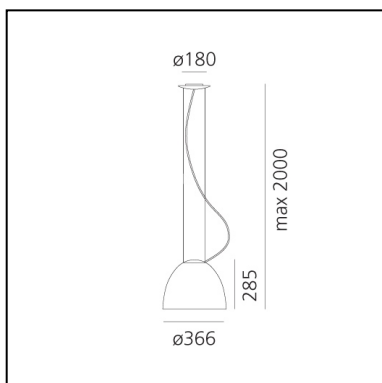


Nur Mini - Suspension - Anthracite Grey

Ernesto Gismondi



IP20    Dimmerable: 



LUMINAIRE

- Watt: **21W**
- Voltage: **220V-240V**
- Delivered lumen output: **1127lm**

Notes

As accessory, is available a coloured filter.

DESCRIPTION

An extreme geometric synthesis of optics par excellence, Nur manifests its presence through a monolithic and mono-material body. The essential and geometrically calibrated lines of a perfect parabola conceal an optical heart that perfectly controls the emission, without offending direct vision. It ensures general ambient lighting thanks also to indirect emission. Artemide App Compatible.

FEATURES

- Product Code: **A244000**
- Colour: **Anthracite grey**
- Installation: **Suspension**
- Material: **Aluminium, glass**
- Series: **Design Collection**
- Environment: **Indoor**
- Area contract: **Hospitality, Residential**
- Emission: **Diffused Direct/Indirect**
- design by: **Ernesto Gismondi**

DIMENSIONS

- Height: **285 mm**
- Diameter: **360 mm**
- Base Diameter: **180 mm**
- Max Height from ceiling: **2000 mm**
- Impact Resistance: **N/D**
- Glow Wire Test: **650°C**

SOURCES NOT INCLUDED

- Category: **LED RETROFIT**
- Number: **1**
- Watt: **11W**
- Socket: **R7s**

Accessories

NO
IMAGE
AVAILABLE

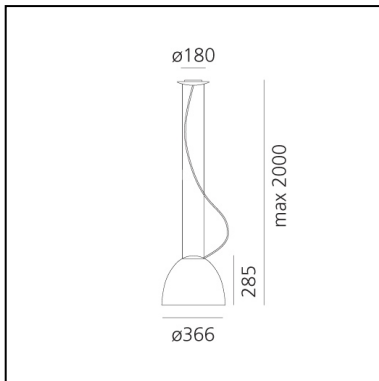
NUR MINI FILTRO
COLORATO X
ALOG.200W A247900

Nur Mini - Suspension - Anodized Aluminum

Ernesto Gismondi



IP20    Dimmerable:  +  -



LUMINAIRE

- Watt: **21W**
- Voltage: **220V-240V**
- Delivered lumen output: **1127lm**

Notes

As accessory, is available a coloured filter.

DESCRIPTION

An extreme geometric synthesis of optics par excellence, Nur manifests its presence through a monolithic and mono-material body. The essential and geometrically calibrated lines of a perfect parabola conceal an optical heart that perfectly controls the emission, without offending direct vision. It ensures general ambient lighting thanks also to indirect emission. Artemide App Compatible.

FEATURES

- Product Code: **A244010**
- Colour: **Anodized aluminum**
- Installation: **Suspension**
- Material: **Aluminium, glass**
- Series: **Design Collection**
- Environment: **Indoor**
- Area contract: **Hospitality, Residential**
- Emission: **Diffused Direct/Indirect**
- design by: **Ernesto Gismondi**

DIMENSIONS

- Height: **285 mm**
- Diameter: **360 mm**
- Base Diameter: **180 mm**
- Max Height from ceiling: **2000 mm**
- Impact Resistance: **N/D**
- Glow Wire Test: **650°C**

SOURCES NOT INCLUDED

- Category: **LED RETROFIT**
- Number: **1**
- Watt: **11W**
- Socket: **R7s**

Accessories

NO
IMAGE
AVAILABLE

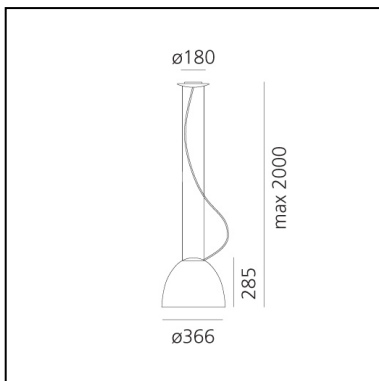
NUR MINI FILTRO
COLORATO X
ALOG.200W A247900

Nur Mini LED - Suspension - Anthracite grey

Ernesto Gismondi



IP20     Dimmerable: +0-



LUMINAIRE

- Watt: **30W**
- Voltage: **220V-240V**
- Delivered lumen output: **1501lm**
- CCT: **2700K**
- Efficiency: **57%**
- Efficacy: **50.03lm/W**
- CRI: **90**
- Dimmable Typology: **Push**

Notes

Lamp included.

DESCRIPTION

An extreme geometric synthesis of optics par excellence, Nur manifests its presence through a monolithic and mono-material body. The essential and geometrically calibrated lines of a perfect parabola conceal an optical heart that perfectly controls the emission, without offending direct vision. It ensures general ambient lighting thanks also to indirect emission. Artemide App Compatible.

FEATURES

- Product Code: **A246300**
- Colour: **Anthracite grey**
- Installation: **Suspension**
- Material: **Aluminium, methacrylate, glass**
- Series: **Design Collection**
- Environment: **Indoor**
- Area contract: **Hospitality, Residential**
- Emission: **Diffused Direct/Indirect**
- design by: **Ernesto Gismondi**

DIMENSIONS

- Height: **285 mm**
- Diameter: **366 mm**
- Base Diameter: **180 mm**
- Max Height from ceiling: **2200 mm**
- Impact Resistance: **N/D**
- Glow Wire Test: **650°C**

SOURCES INCLUDED

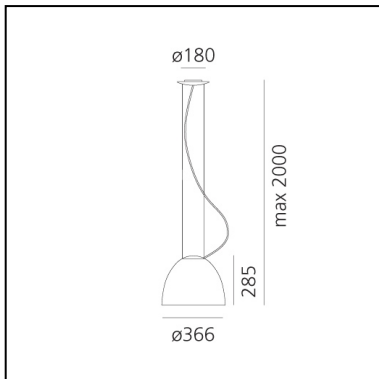
- Category: **Led**
- Number: **1**
- Watt: **30W**
- Delivered lumen output: **2990lm**
- Color temperature (K): **2700K**
- CRI: **90**
- Color Tolerance: **MacAdam 2SDCM**

Nur Mini LED - Suspension - Anodized aluminum

Ernesto Gismondi



IP20     Dimmerable: +0-



LUMINAIRE

- Watt: **30W**
- Voltage: **220V-240V**
- Delivered lumen output: **1501lm**
- CCT: **2700K**
- Efficiency: **57%**
- Efficacy: **50.03lm/W**
- CRI: **90**
- Dimmable Typology: **Push**

Notes

Lamp included. With remote control.

DESCRIPTION

An extreme geometric synthesis of optics par excellence, Nur manifests its presence through a monolithic and mono-material body. The essential and geometrically calibrated lines of a perfect parabola conceal an optical heart that perfectly controls the emission, without offending direct vision. It ensures general ambient lighting thanks also to indirect emission. Artemide App Compatible.

FEATURES

- Product Code: **A246310**
- Colour: **Anodized aluminum**
- Installation: **Suspension**
- Material: **Aluminium, methacrylate, glass**
- Series: **Design Collection**
- Environment: **Indoor**
- Area contract: **Hospitality, Residential**
- Emission: **Diffused Direct/Indirect**
- design by: **Ernesto Gismondi**

DIMENSIONS

- Height: **285 mm**
- Diameter: **366 mm**
- Base Diameter: **180 mm**
- Max Height from ceiling: **2200 mm**
- Impact Resistance: **N/D**
- Glow Wire Test: **650°C**

SOURCES INCLUDED

- Category: **Led**
- Number: **1**
- Watt: **30W**
- Delivered lumen output: **2990lm**
- Color temperature (K): **2700K**
- CRI: **90**
- Color Tolerance: **MacAdam 2SDCM**