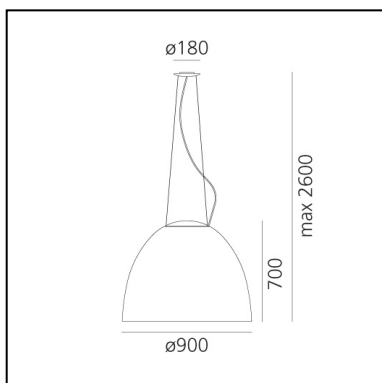


Nur 1618 Halo - Anodized Aluminium

Ernesto Gismondi



IP20    Dimmerable: 



LUMINAIRE

- Watt: **800W**
- Voltage: **220V-240V**
- Delivered lumen output: **10326lm**
- Efficiency: **56%**
- Efficacy: **12.91lm/W**
- CRI: **100**

DESCRIPTION

An extreme geometric synthesis of optics par excellence, Nur manifests its presence through a monolithic and mono-material body. The essential and geometrically calibrated lines of a perfect parabola conceal an optical heart that perfectly controls the emission, without offending direct vision. It ensures general ambient lighting thanks also to indirect emission. Artemide App Compatible.

FEATURES

- Product Code: **A242910**
- Colour: **Anodized Aluminium**
- Installation: **Suspension**
- Material: **Aluminium, methacrylate, glass**
- Series: **Design Collection**
- Environment: **Indoor**
- Area contract: **Hospitality, Residential**
- Emission: **Direct/indirect Diffused**
- design by: **Ernesto Gismondi**

DIMENSIONS

- Height: **700 mm**
- Diameter: **900 mm**
- Base Diameter: **180 mm**
- Max Height from ceiling: **2600 mm**
- Glow Wire Test: **650°C**

NOT INCLUDED SOURCES

- Category: **HALO**
- Number: **2**
- Lbs: **Qt-de12**
- Watt: **400W**
- Socket: **R7s**
- Color Rendering: **1a**
- Color temperature (K): **2950K**

ALTERNATIVE SOURCES

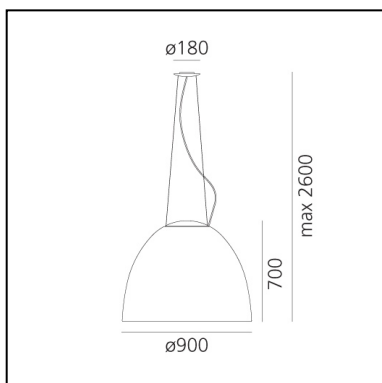
- Category: **LED RETROFIT**
- Number: **2**
- Watt: **11w**
- Delivered lumen output: **1110lm**
- Socket: **R7s**

Nur 1618 Halo - Anthracite Grey

Ernesto Gismondi



IP20    Dimmerable:  +  -



LUMINAIRE

- Watt: **800W**
- Voltage: **220V-240V**
- Delivered lumen output: **10326lm**
- Efficiency: **56%**
- Efficacy: **12.91lm/W**
- CRI: **100**

DESCRIPTION

An extreme geometric synthesis of optics par excellence, Nur manifests its presence through a monolithic and mono-material body. The essential and geometrically calibrated lines of a perfect parabola conceal an optical heart that perfectly controls the emission, without offending direct vision. It ensures general ambient lighting thanks also to indirect emission. Artemide App Compatible.

FEATURES

- Product Code: **A242900**
- Colour: **Anthracite Grey**
- Installation: **Suspension**
- Material: **Aluminium, methacrylate, glass**
- Series: **Design Collection**
- Environment: **Indoor**
- Area contract: **Hospitality, Residential**
- Emission: **Direct/indirect Diffused**
- design by: **Ernesto Gismondi**

DIMENSIONS

- Height: **700 mm**
- Diameter: **900 mm**
- Base Diameter: **180 mm**
- Max Height from ceiling: **2600 mm**
- Glow Wire Test: **650°C**

NOT INCLUDED SOURCES

- Category: **HALO**
- Number: **2**
- Lbs: **Qt-de12**
- Watt: **400W**
- Socket: **R7s**
- Color Rendering: **1a**
- Color temperature (K): **2950K**

ALTERNATIVE SOURCES

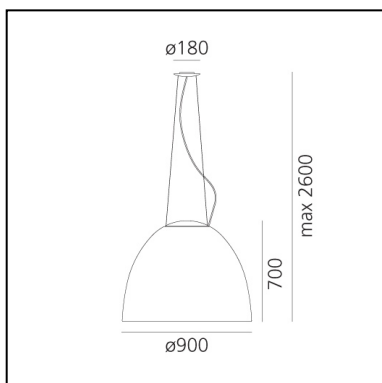
- Category: **LED RETROFIT**
- Number: **2**
- Watt: **11w**
- Delivered lumen output: **1110lm**
- Socket: **R7s**

Nur 1618 LED - Anodized Aluminium

Ernesto Gismondi



IP20     Dimmerable: 



LUMINAIRE

- Watt: **80W**
- Voltage: **220V-240V**
- Delivered lumen output: **4308lm**
- CCT: **3000K**
- Efficiency: **48%**
- Efficacy: **53.85lm/W**
- CRI: **90**
- Dimmable Typology: **Push**

DESCRIPTION

An extreme geometric synthesis of optics par excellence, Nur manifests its presence through a monolithic and mono-material body. The essential and geometrically calibrated lines of a perfect parabola conceal an optical heart that perfectly controls the emission, without offending direct vision. It ensures general ambient lighting thanks also to indirect emission. Artemide App Compatible.

FEATURES

- Product Code: **A243210**
- Colour: **Anodized Aluminium**
- Installation: **Suspension**
- Material: **Aluminium, methacrylate, glass**
- Series: **Design Collection**
- Environment: **Indoor**
- Area contract: **Hospitality, Residential**
- Emission: **Direct/indirect Diffused**
- design by: **Ernesto Gismondi**

DIMENSIONS

- Height: **700 mm**
- Diameter: **900 mm**
- Base Diameter: **180 mm**
- Max Height from ceiling: **2600 mm**
- Glow Wire Test: **650°C**

SOURCES INCLUDED

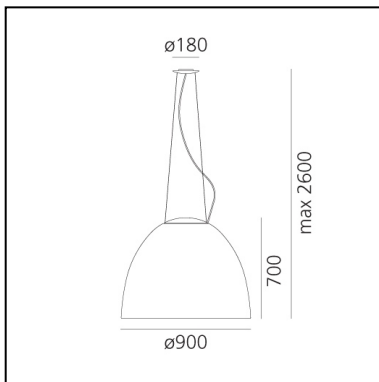
- Category: **Led**
- Number: **1**
- Watt: **75W**
- Delivered lumen output: **9112**
- Color temperature (K): **3000K**
- CRI: **90**
- Color Tolerance: **MacAdam 2SDCM**
- Efficacy: **122lm/W**
- Service Life: **50000-L70**

Nur 1618 LED - Anthracite Grey

Ernesto Gismondi



IP20     Dimmerable: 



LUMINAIRE

- Watt: **80W**
- Voltage: **220V-240V**
- Delivered lumen output: **4308lm**
- CCT: **3000K**
- Efficiency: **48%**
- Efficacy: **53.85lm/W**
- CRI: **90**
- Dimmable Typology: **Push**

DESCRIPTION

An extreme geometric synthesis of optics par excellence, Nur manifests its presence through a monolithic and mono-material body. The essential and geometrically calibrated lines of a perfect parabola conceal an optical heart that perfectly controls the emission, without offending direct vision. It ensures general ambient lighting thanks also to indirect emission. Artemide App Compatible.

FEATURES

- Product Code: **A243200**
- Colour: **Anthracite Grey**
- Installation: **Suspension**
- Material: **Aluminium, methacrylate, glass**
- Series: **Design Collection**
- Environment: **Indoor**
- Area contract: **Hospitality, Residential**
- Emission: **Direct/indirect Diffused**
- design by: **Ernesto Gismondi**

DIMENSIONS

- Height: **700 mm**
- Diameter: **900 mm**
- Base Diameter: **180 mm**
- Max Height from ceiling: **2600 mm**
- Glow Wire Test: **650°C**

SOURCES INCLUDED

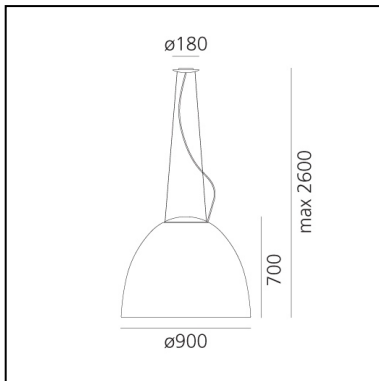
- Category: **Led**
- Number: **1**
- Watt: **75W**
- Delivered lumen output: **9112**
- Color temperature (K): **3000K**
- CRI: **90**
- Color Tolerance: **MacAdam 2SDCM**
- Efficacy: **122lm/W**
- Service Life: **50000-L70**

Nur 1618 LED White Integralis - Anodized aluminium

Ernesto Gismondi



IP20   Dimmerable: 



LUMINAIRE

DAY MODE

- Watt: **80W**
- Voltage: **220V-240V**
- Delivered lumen output: **4739lm**
- Radiant Flux: **2763mW**
- CCT: **5000K**
- Efficiency: **48%**
- Efficacy: **59.24lm/W**
- CRI: **90**
- Dimmable Typology: **Push**

DESCRIPTION

An extreme geometric synthesis of optics par excellence, Nur manifests its presence through a monolithic and mono-material body. The essential and geometrically calibrated lines of a perfect parabola conceal an optical heart that perfectly controls the emission, without offending direct vision. With a 80W LED optical engine, it ensures general ambient lighting thanks also to indirect emission.

In the WHITE INTEGRALIS version Nur is designed to offer a white emission ensuring perfect perception while respecting the human presence and which at the same time combines control of microbial growth. It can vary in intensity and is available with a fixed CCT of 5000K, with a high color rendering index (CRI 90).

FEATURES

- Product Code: **A243210INO**
- Colour: **Anodized Aluminium**
- Installation: **Suspension**
- Material: **Aluminium, methacrylate, glass**
- Series: **Design Collection**
- Environment: **Indoor**
- Area contract: **Hospitality, Residential**
- Emission: **Direct/indirect Diffused**
- design by: **Ernesto Gismondi**

DIMENSIONS

- Height: **700 mm**
- Diameter: **900 mm**
- Base Diameter: **180 mm**
- Max Height from ceiling: **2600 mm**
- Glow Wire Test: **650°C**



SOURCES INCLUDED

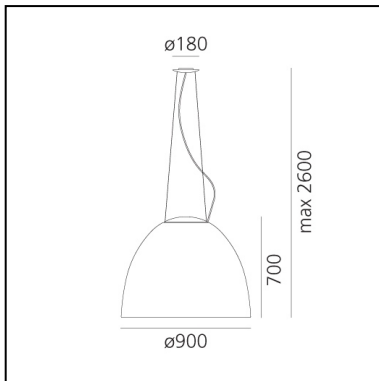
- Category: **Led**
- Number: **1**
- Color temperature (K): **5000K**
- CRI: **90**
- Color Tolerance: **3SDCM**
- Service Life: **L80 (10K) 55000h**

Nur 1618 LED White Integralis - Anthracite grey

Ernesto Gismondi



IP20   Dimmerable: 



LUMINAIRE

DAY MODE

- Watt: **80W**
- Voltage: **220V-240V**
- Delivered lumen output: **4739lm**
- Radiant Flux: **2763mW**
- CCT: **5000K**
- Efficiency: **48%**
- Efficacy: **59.24lm/W**
- CRI: **90**
- Dimmable Typology: **Push**

DESCRIPTION

An extreme geometric synthesis of optics par excellence, Nur manifests its presence through a monolithic and mono-material body. The essential and geometrically calibrated lines of a perfect parabola conceal an optical heart that perfectly controls the emission, without offending direct vision. With a 80W LED optical engine, it ensures general ambient lighting thanks also to indirect emission.

In the WHITE INTEGRALIS version Nur is designed to offer a white emission ensuring perfect perception while respecting the human presence and which at the same time combines control of microbial growth. It can vary in intensity and is available with a fixed CCT of 5000K, with a high color rendering index (CRI 90).

FEATURES

- Product Code: **A243200INO**
- Colour: **Anthracite Grey**
- Installation: **Suspension**
- Material: **Aluminium, methacrylate, glass**
- Series: **Design Collection**
- Environment: **Indoor**
- Area contract: **Hospitality, Residential**
- Emission: **Direct/indirect Diffused**
- design by: **Ernesto Gismondi**

DIMENSIONS

- Height: **700 mm**
- Diameter: **900 mm**
- Base Diameter: **180 mm**
- Max Height from ceiling: **2600 mm**
- Glow Wire Test: **650°C**

SOURCES INCLUDED

- Category: **Led**
- Number: **1**
- Color temperature (K): **5000K**
- CRI: **90**
- Color Tolerance: **3SDCM**
- Service Life: **L80 (10K) 55000h**