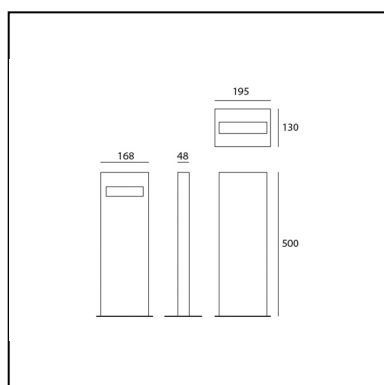


Nuda 50 Monolateral Gray/White

Ernesto Gismondi



LUMINAIRE

- Watt: **8W**
- Voltage: **220V-240 V**
- Delivered lumen output: **316lm**
- CCT: **3000K**
- Efficiency: **43%**
- Efficacy: **39.54lm/W**
- CRI: **80**

Notes

Floor fixing with ground mounting plate.

DESCRIPTION

Painted aluminium unit; satin finish methacrylate diffuser.

FEATURES

- Product Code: **T083600**
- Colour: **Gray/White**
- Installation: **Floor**
- Material: **Methacrylate, painted aluminium**
- Series: **Architectural Outdoor**
- Environment: **Outdoor**
- Emission: **Direct**
- design by: **Ernesto Gismondi**

DIMENSIONS

- Length: **168 mm**
- Width: **48 mm**
- Height: **500 mm**
- Impact Resistance: **IK06**
- Glow Wire Test: **650°**

SOURCES INCLUDED

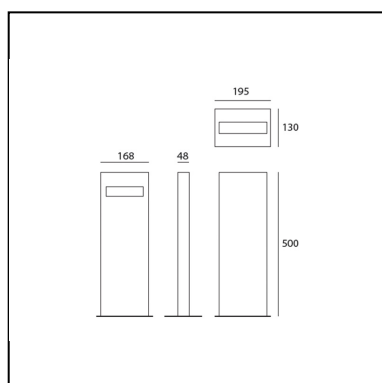
- Category: **Led**
- Number: **1**
- Watt: **8W**
- Color temperature (K): **3000K**
- CRI: **80**

Nuda 50 Monolateral Rust

Ernesto Gismondi



IP65   EAC 



LUMINAIRE

- Watt: **8W**
- Voltage: **220V-240 V**
- Delivered lumen output: **316lm**
- CCT: **3000K**
- Efficiency: **43%**
- Efficacy: **39.54lm/W**
- CRI: **80**

Notes

Floor fixing with ground mounting plate.

DESCRIPTION

Painted aluminium unit; satin finish methacrylate diffuser.

FEATURES

- Product Code: **T083610**
- Colour: **Rust**
- Installation: **Floor**
- Material: **Methacrylate, painted aluminium**
- Series: **Architectural Outdoor**
- Environment: **Outdoor**
- Emission: **Direct**
- design by: **Ernesto Gismondi**

DIMENSIONS

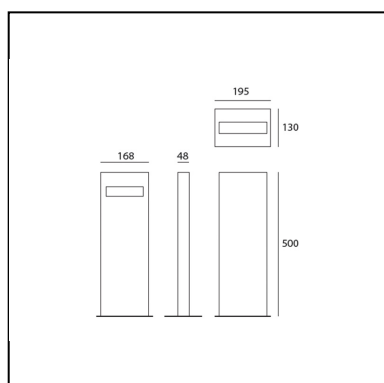
- Length: **168 mm**
- Width: **48 mm**
- Height: **500 mm**
- Impact Resistance: **IK06**
- Glow Wire Test: **650°**

SOURCES INCLUDED

- Category: **Led**
- Number: **1**
- Watt: **8W**
- Color temperature (K): **3000K**
- CRI: **80**

Nuda 50 Monolateral Anthracite gray

Ernesto Gismondi



LUMINAIRE

- Watt: **8W**
- Voltage: **220V-240 V**
- Delivered lumen output: **316lm**
- CCT: **3000K**
- Efficiency: **43%**
- Efficacy: **39.54lm/W**
- CRI: **80**

Notes

Floor fixing with ground mounting plate.

DESCRIPTION

Painted aluminium unit; satin finish methacrylate diffuser.

FEATURES

- Product Code: **T083620**
- Colour: **Anthracite gray**
- Installation: **Floor**
- Material: **Methacrylate, painted aluminium**
- Series: **Architectural Outdoor**
- Environment: **Outdoor**
- Emission: **Direct**
- design by: **Ernesto Gismondi**

DIMENSIONS

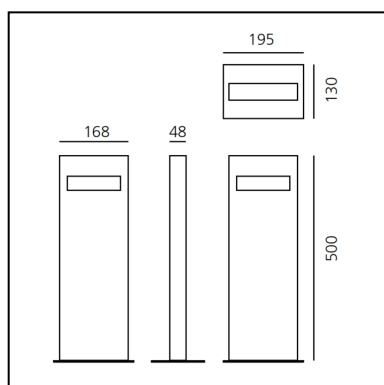
- Length: **168 mm**
- Width: **48 mm**
- Height: **500 mm**
- Impact Resistance: **IK06**
- Glow Wire Test: **650°**

SOURCES INCLUDED

- Category: **Led**
- Number: **1**
- Watt: **8W**
- Color temperature (K): **3000K**
- CRI: **80**

Nuda 50 Bilateral Gray/white

Ernesto Gismondi



LUMINAIRE

- Watt: **8W**
- Voltage: **220V-240 V**
- Delivered lumen output: **335lm**
- CCT: **3000K**
- Efficiency: **46%**
- Efficacy: **41.85lm/W**
- CRI: **80**

Notes

Floor fixing with ground mounting plate.

DESCRIPTION

Painted aluminium unit; satin finish methacrylate diffuser.

FEATURES

- Product Code: **T083700**
- Colour: **Gray/white**
- Installation: **Floor**
- Material: **Methacrylate, painted aluminium**
- Series: **Architectural Outdoor**
- Environment: **Outdoor**
- Emission: **Direct**
- design by: **Ernesto Gismondi**

DIMENSIONS

- Length: **168 mm**
- Width: **48 mm**
- Height: **500 mm**
- Impact Resistance: **IK06**
- Glow Wire Test: **650°**

SOURCES INCLUDED

- Category: **Led**
- Number: **1**
- Watt: **8W**
- Color temperature (K): **3000K**
- CRI: **80**

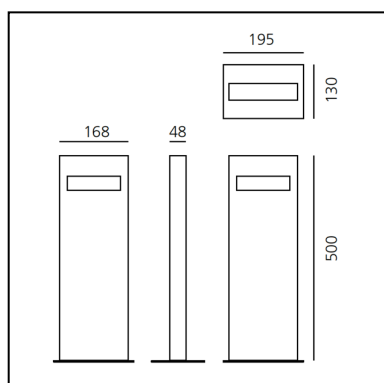
Nuda 50 Bilateral Rust

Ernesto Gismondi



DESCRIPTION

Painted aluminium unit; satin finish methacrylate diffuser.



LUMINAIRE

- Watt: **8W**
- Voltage: **220V-240 V**
- Delivered lumen output: **335lm**
- CCT: **3000K**
- Efficiency: **46%**
- Efficacy: **41.85lm/W**
- CRI: **80**

Notes

Floor fixing with ground mounting plate.

FEATURES

- Product Code: **T083710**
- Colour: **Rust**
- Installation: **Floor**
- Material: **Methacrylate, painted aluminium**
- Series: **Architectural Outdoor**
- Environment: **Outdoor**
- Emission: **Direct**
- design by: **Ernesto Gismondi**

DIMENSIONS

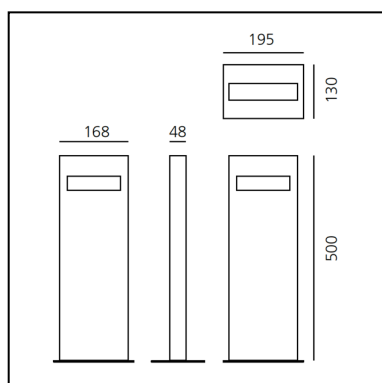
- Length: **168 mm**
- Width: **48 mm**
- Height: **500 mm**
- Impact Resistance: **IK06**
- Glow Wire Test: **650°**

SOURCES INCLUDED

- Category: **Led**
- Number: **1**
- Watt: **8W**
- Color temperature (K): **3000K**
- CRI: **80**

Nuda 50 Bilateral Anthracite gray

Ernesto Gismondi



LUMINAIRE

- Watt: **8W**
- Voltage: **220V-240 V**
- Delivered lumen output: **335lm**
- CCT: **3000K**
- Efficiency: **46%**
- Efficacy: **41.85lm/W**
- CRI: **80**

Notes

Floor fixing with ground mounting plate.

DESCRIPTION

Painted aluminium unit; satin finish methacrylate diffuser.

FEATURES

- Product Code: **T083720**
- Colour: **Anthracite gray**
- Installation: **Floor**
- Material: **Methacrylate, painted aluminium**
- Series: **Architectural Outdoor**
- Environment: **Outdoor**
- Emission: **Direct**
- design by: **Ernesto Gismondi**

DIMENSIONS

- Length: **168 mm**
- Width: **48 mm**
- Height: **500 mm**
- Impact Resistance: **IK06**
- Glow Wire Test: **650°**

SOURCES INCLUDED

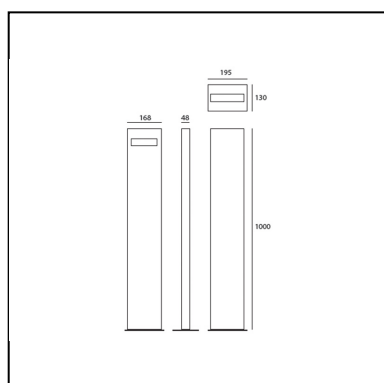
- Category: **Led**
- Number: **1**
- Watt: **8W**
- Color temperature (K): **3000K**
- CRI: **80**

Nuda 100 Monolateral Gray/white

Ernesto Gismondi



IP65   EAC 



LUMINAIRE

- Watt: **14W**
- Voltage: **220V-240 V**
- Delivered lumen output: **563lm**
- CCT: **3000K**
- Efficiency: **43%**
- Efficacy: **40.22lm/W**
- CRI: **80**

Notes

Floor fixing with ground mounting plate.

DESCRIPTION

Painted aluminium unit; satin finish methacrylate diffuser.

FEATURES

- Product Code: **T083800**
- Colour: **Gray/white**
- Installation: **Floor**
- Material: **Methacrylate, painted aluminium**
- Series: **Architectural Outdoor**
- Environment: **Outdoor**
- Emission: **Direct**
- design by: **Ernesto Gismondi**

DIMENSIONS

- Length: **168 mm**
- Width: **48 mm**
- Height: **1000 mm**
- Impact Resistance: **IK06**
- Glow Wire Test: **650°**

SOURCES INCLUDED

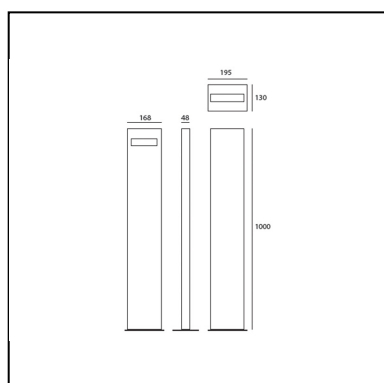
- Category: **Led**
- Number: **1**
- Watt: **17W**
- Delivered lumen output: **515lm**
- Color temperature (K): **3000K**
- CRI: **80**

Nuda 100 Monolateral Rust

Ernesto Gismondi



IP65   EAC 



LUMINAIRE

- Watt: **14W**
- Voltage: **220V-240 V**
- Delivered lumen output: **563lm**
- CCT: **3000K**
- Efficiency: **43%**
- Efficacy: **40.22lm/W**
- CRI: **80**

Notes

Floor fixing with ground mounting plate.

DESCRIPTION

Painted aluminium unit; satin finish methacrylate diffuser.

FEATURES

- Product Code: **T083810**
- Colour: **Rust**
- Installation: **Floor**
- Material: **Methacrylate, painted aluminium**
- Series: **Architectural Outdoor**
- Environment: **Outdoor**
- Emission: **Direct**
- design by: **Ernesto Gismondi**

DIMENSIONS

- Length: **168 mm**
- Width: **48 mm**
- Height: **1000 mm**
- Impact Resistance: **IK06**
- Glow Wire Test: **650°**

SOURCES INCLUDED

- Category: **Led**
- Number: **1**
- Watt: **17W**
- Delivered lumen output: **515lm**
- Color temperature (K): **3000K**
- CRI: **80**

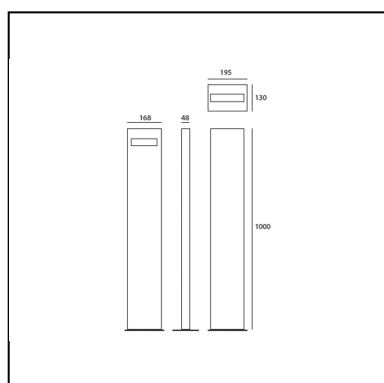
Nuda 100 Monolateral Anthracite gray

Ernesto Gismondi



DESCRIPTION

Painted aluminium unit; satin finish methacrylate diffuser.



LUMINAIRE

- Watt: **14W**
- Voltage: **220V-240 V**
- Delivered lumen output: **563lm**
- CCT: **3000K**
- Efficiency: **43%**
- Efficacy: **40.22lm/W**
- CRI: **80**

Notes

Floor fixing with ground mounting plate.

FEATURES

- Product Code: **T083820**
- Colour: **Anthracite gray**
- Installation: **Floor**
- Material: **Methacrylate, painted aluminium**
- Series: **Architectural Outdoor**
- Environment: **Outdoor**
- Emission: **Direct**
- design by: **Ernesto Gismondi**

DIMENSIONS

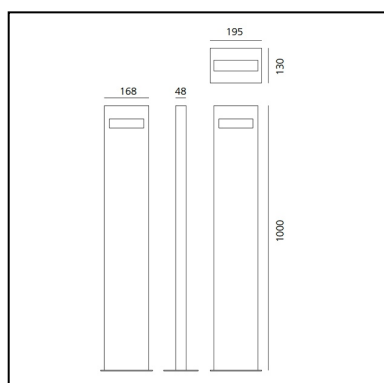
- Length: **168 mm**
- Width: **48 mm**
- Height: **1000 mm**
- Impact Resistance: **IK06**
- Glow Wire Test: **650°**

SOURCES INCLUDED

- Category: **Led**
- Number: **1**
- Watt: **17W**
- Delivered lumen output: **515lm**
- Color temperature (K): **3000K**
- CRI: **80**

Nuda 100 Bilateral Gray/white

Ernesto Gismondi



LUMINAIRE

- Watt: **14W**
- Voltage: **220V-240 V**
- Delivered lumen output: **596lm**
- CCT: **3000K**
- Efficiency: **46%**
- Efficacy: **42.57lm/W**
- CRI: **80**

Notes

Floor fixing with ground mounting plate.

DESCRIPTION

Painted aluminium unit; satin finish methacrylate diffuser.

FEATURES

- Product Code: **T083900**
- Colour: **Gray/white**
- Installation: **Floor**
- Material: **Methacrylate, painted aluminium**
- Series: **Architectural Outdoor**
- Environment: **Outdoor**
- Emission: **Direct**
- design by: **Ernesto Gismondi**

DIMENSIONS

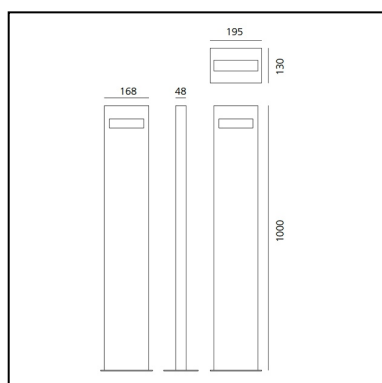
- Length: **168 mm**
- Width: **48 mm**
- Height: **1000 mm**
- Impact Resistance: **IK06**
- Glow Wire Test: **650°**

SOURCES INCLUDED

- Category: **Led**
- Number: **1**
- Watt: **17W**
- Delivered lumen output: **515lm**
- Color temperature (K): **3000K**
- CRI: **80**

Nuda 100 Bilateral Rust

Ernesto Gismondi



LUMINAIRE

- Watt: **14W**
- Voltage: **220V-240 V**
- Delivered lumen output: **596lm**
- CCT: **3000K**
- Efficiency: **46%**
- Efficacy: **42.57lm/W**
- CRI: **80**

Notes

Floor fixing with ground mounting plate.

DESCRIPTION

Painted aluminium unit; satin finish methacrylate diffuser.

FEATURES

- Product Code: **T083910**
- Colour: **Rust**
- Installation: **Floor**
- Material: **Methacrylate, painted aluminium**
- Series: **Architectural Outdoor**
- Environment: **Outdoor**
- Emission: **Direct**
- design by: **Ernesto Gismondi**

DIMENSIONS

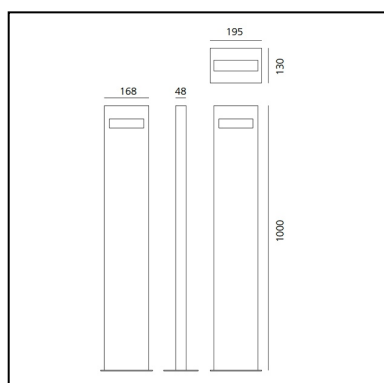
- Length: **168 mm**
- Width: **48 mm**
- Height: **1000 mm**
- Impact Resistance: **IK06**
- Glow Wire Test: **650°**

SOURCES INCLUDED

- Category: **Led**
- Number: **1**
- Watt: **17W**
- Delivered lumen output: **515lm**
- Color temperature (K): **3000K**
- CRI: **80**

Nuda 100 Bilateral Anthracite gray

Ernesto Gismondi



LUMINAIRE

- Watt: **14W**
- Voltage: **220V-240 V**
- Delivered lumen output: **596lm**
- CCT: **3000K**
- Efficiency: **46%**
- Efficacy: **42.57lm/W**
- CRI: **80**

Notes

Floor fixing with ground mounting plate.

DESCRIPTION

Painted aluminium unit; satin finish methacrylate diffuser.

FEATURES

- Product Code: **T083920**
- Colour: **Gray/white**
- Installation: **Floor**
- Material: **Methacrylate, painted aluminium**
- Series: **Architectural Outdoor**
- Environment: **Outdoor**
- Emission: **Direct**
- design by: **Ernesto Gismondi**

DIMENSIONS

- Length: **168 mm**
- Width: **48 mm**
- Height: **1000 mm**
- Impact Resistance: **IK06**
- Glow Wire Test: **650°**

SOURCES INCLUDED

- Category: **Led**
- Number: **1**
- Watt: **17W**
- Delivered lumen output: **515lm**
- Color temperature (K): **3000K**
- CRI: **80**