

## NIMBUS MEDIUM ROUND

A showstopper which has the same 'quiet luxury' characterised by CTO designs. Developed exclusively by our artisans where crystal like crushed glass is combined with refined metalwork.

### FINISH

satin brass with handmade glass  
NIMCHRMSBFG

bronze with handmade glass  
NIMCHRMBZFG

### SUSPENSION

drop rod with ceiling box

please specify the required overall drop from the ceiling to the bottom of the fitting

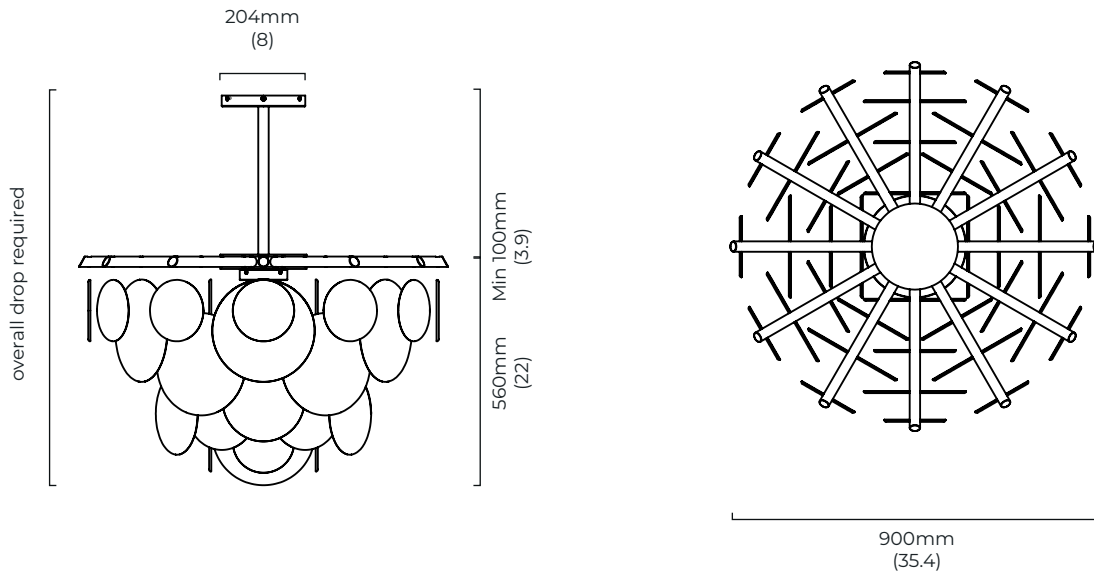
### BULBS

240v - 4 x E14, 25w max (or 4.5w LED 2700k)  
120v - 4 x E12, 25w max (or 4.5w LED 2700k)  
(no bulbs supplied)

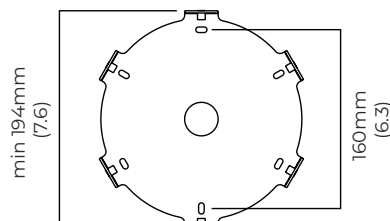
### WEIGHT

38kg (83.8lbs)  
additional support around junction box required for installation

### CERTIFICATION



mounting plate dimensions



## NIMBUS LARGE ROUND

A showstopper which has the same 'quiet luxury' characterised by CTO designs. Developed exclusively by our artisans where crystal like crushed glass is combined with refined metalwork.

### FINISH

satin brass with handmade glass  
NIMCHRLSBFG

bronze with handmade glass  
NIMCHRLBZFG

### SUSPENSION

drop rod with ceiling box

please specify the required overall drop from the ceiling to the bottom of the fitting

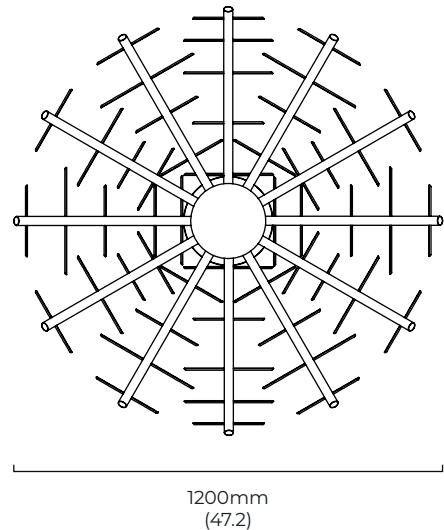
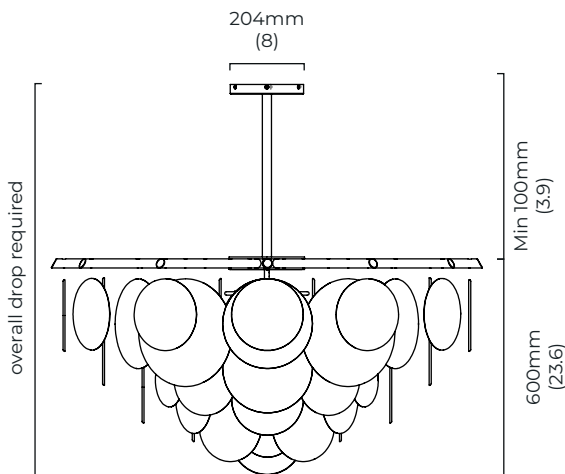
### BULBS

240v - 6 x E27, 60w max (or 8w LED 2700k)  
120v - 6 x E26, 60w max (or 8w LED 2700k)  
(no bulbs supplied)

### WEIGHT

50kg (120.2lbs)  
additional support around junction box required for installation

### CERTIFICATION



mounting plate dimensions

