

NIMBUS MEDIUM CHANDELIER

A showstopper which has the same 'quiet luxury' characterised by CTO designs. Developed exclusively by our artisans where crystal like crushed glass is combined with refined metalwork.

FINISH

satin brass with handmade glass
NIMCHMSBFG

dark bronze with handmade glass
NIMCHMBZFG

SUSPENSION

drop rod with ceiling box

please specify the required overall drop from the ceiling to the bottom of the fitting

BULBS

240v - 4 x E14, 60w max halogen (or 6.5w LED 2700k)
120v - 4 x E12, 60w max halogen (or 6.5w LED 2700k)
(no bulbs supplied)

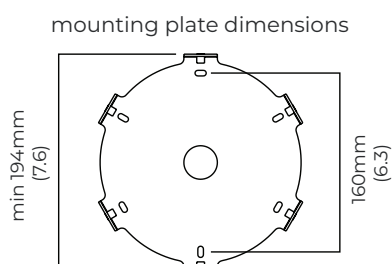
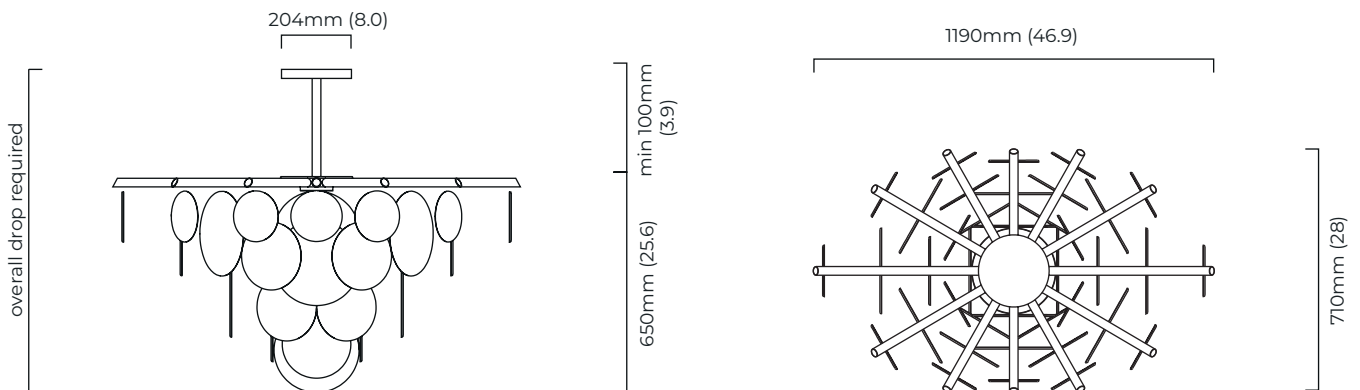
WEIGHT

42kg (92.6lbs)
additional support around junction box required for installation

CERTIFICATION



E492308



NIMBUS LARGE CHANDELIER

A showstopper which has the same 'quiet luxury' characterised by CTO designs. Developed exclusively by our artisans where crystal like crushed glass is combined with refined metalwork.

FINISH

satin brass with handmade glass
NIMCHLSBFG

dark bronze with handmade glass
NIMCHLBZFG

SUSPENSION

drop rod with ceiling box

please specify the required overall drop from the ceiling to the bottom of the fitting

BULBS

240v - 8 x E27, 60w max (or 8w LED 2700k)
120v - 8 x E26, 60w max (or 8w LED 2700k)
(no bulbs supplied)

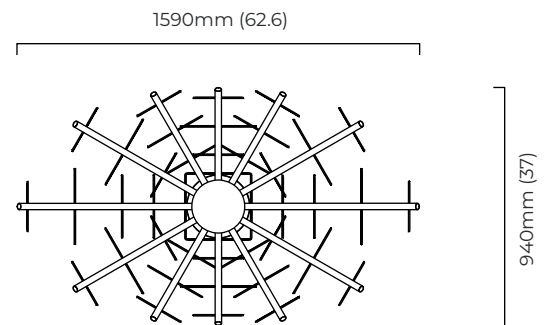
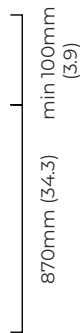
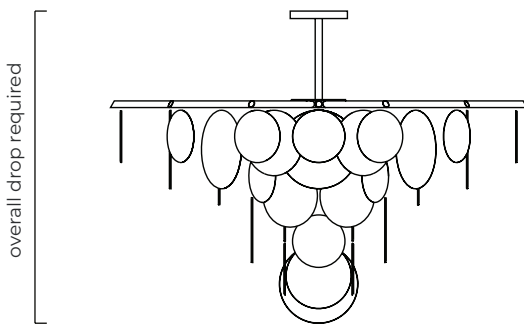
WEIGHT

55kg (121.3lbs)
additional support around junction box required for installation

CERTIFICATION



E492308



mounting plate dimensions

