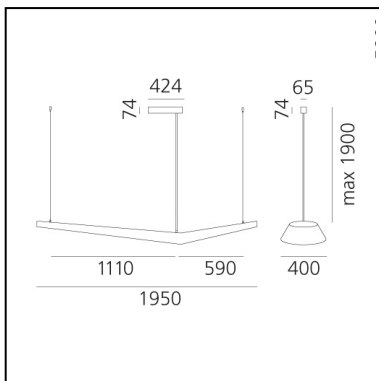


# Mouette Asymmetric - Cable length 1900mm - DALI

Wilmotte & Industries



IP40/20   ERC Dimmerable: 



## LUMINAIRE

- Power Supply: **Electronic integrated**
- Watt: **85W**
- Voltage: **220V-240V**
- Delivered lumen output: **8186lm**
- CCT: **3000K**
- Efficiency: **82%**
- Efficacy: **96.30lm/W**
- CRI: **80**
- Dimmable Typology: **Dali**

## Notes

Height: 1900mm max.

## DESCRIPTION

The stylised geometric shape of two symmetrical or asymmetrical wings gives rise to a light volume that softly diffuses light.

## FEATURES

- Product Code: **AK00500**
- Colour: **White opaline**
- Installation: **Suspension**
- Material: **Moulded polypropylene, aluminium**
- Series: **Architectural Indoor**
- Area contract: **Hospitality, Retail, Office, Culture**
- design by: **Wilmotte & Industries**

## DIMENSIONS

- Length: **1950 mm**
- Base Width: **74 mm**
- Base Diameter: **424 mm**
- Max Height from ceiling: **1900 mm**
- Weight: **kg 6.8**
- Impact Resistance: **N.D.**
- Glow Wire Test: **750°**

## SOURCES INCLUDED

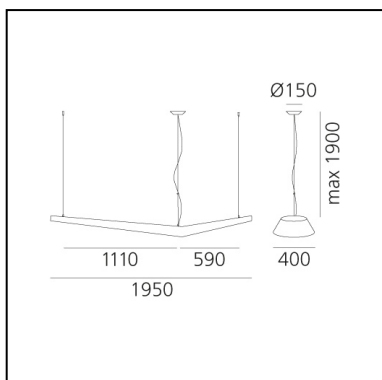
- Category: **Led**
- Number: **1**
- Watt: **80W**
- Color temperature (K): **3000K**

# Mouette Asymmetric - Cable length 1900mm - Undimmable

Wilmotte & Industries



IP40/20   ERC



## LUMINAIRE

- Power Supply: **Electronic integrated**
- Watt: **85W**
- Voltage: **220V-240V**
- Delivered lumen output: **8186lm**
- CCT: **3000K**
- Efficiency: **82%**
- Efficacy: **96.30lm/W**
- CRI: **80**

## Notes

Height: 1900mm max.

## DESCRIPTION

The stylised geometric shape of two symmetrical or asymmetrical wings gives rise to a light volume that softly diffuses light.

## FEATURES

- Product Code: **AK00600**
- Colour: **White opaline**
- Installation: **Suspension**
- Material: **Moulded polypropylene, aluminium**
- Series: **Architectural Indoor**
- Area contract: **Hospitality, Retail, Office, Culture**
- design by: **Wilmotte & Industries**

## DIMENSIONS

- Length: **1950 mm**
- Max Height from ceiling: **1900 mm**
- Weight: **kg 6.8**
- Impact Resistance: **N.D.**
- Glow Wire Test: **750°**

## SOURCES INCLUDED

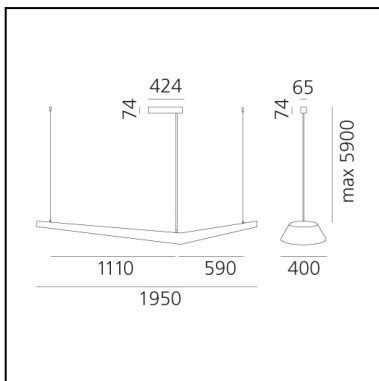
- Category: **Led**
- Number: **1**
- Watt: **80W**
- Color temperature (K): **3000K**

# Mouette Asymmetric - Cable length 5900mm - DALI

Wilmotte & Industries



IP40/20   ERC Dimmerable: 



## LUMINAIRE

- Power Supply: **Electronic integrated**
- Watt: **85W**
- Voltage: **220V-240V**
- Delivered lumen output: **8186lm**
- CCT: **3000K**
- Efficiency: **82%**
- Efficacy: **96.30lm/W**
- CRI: **80**
- Dimmable Typology: **Dali**

## Notes

Height: 1900mm max.

## DESCRIPTION

The stylised geometric shape of two symmetrical or asymmetrical wings gives rise to a light volume that softly diffuses light.

## FEATURES

- Product Code: **AK10500**
- Colour: **White opaline**
- Installation: **Suspension**
- Material: **Moulded polypropylene, aluminium**
- Series: **Architectural Indoor**
- Area contract: **Hospitality, Retail, Office, Culture**
- design by: **Wilmotte & Industries**

## DIMENSIONS

- Length: **1950 mm**
- Base Width: **74 mm**
- Base Diameter: **424 mm**
- Max Height from ceiling: **5900 mm**
- Weight: **kg 6.9**
- Impact Resistance: **N.D.**
- Glow Wire Test: **750°**

## SOURCES INCLUDED

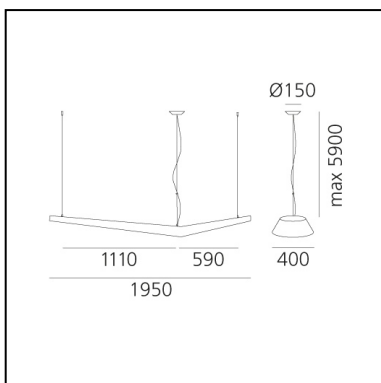
- Category: **Led**
- Number: **1**
- Watt: **80W**
- Color temperature (K): **3000K**

# Mouette Asymmetric - Cable length 5900mm - Undimmable

Wilmotte & Industries



IP40/20   ERC



## LUMINAIRE

- Power Supply: **Electronic integrated**
- Watt: **85W**
- Voltage: **220V-240V**
- Delivered lumen output: **8186lm**
- CCT: **3000K**
- Efficiency: **82%**
- Efficacy: **96.30lm/W**
- CRI: **80**

## Notes

Height: 1900mm max.

## DESCRIPTION

The stylised geometric shape of two symmetrical or asymmetrical wings gives rise to a light volume that softly diffuses light.

## FEATURES

- Product Code: **AK10600**
- Colour: **White opaline**
- Installation: **Suspension**
- Material: **Moulded polypropylene, aluminium**
- Series: **Architectural Indoor**
- Area contract: **Hospitality, Retail, Office, Culture**
- design by: **Wilmotte & Industries**

## DIMENSIONS

- Length: **1950 mm**
- Max Height from ceiling: **5900 mm**
- Weight: **kg 6.9**
- Impact Resistance: **N.D.**
- Glow Wire Test: **750°**

## SOURCES INCLUDED

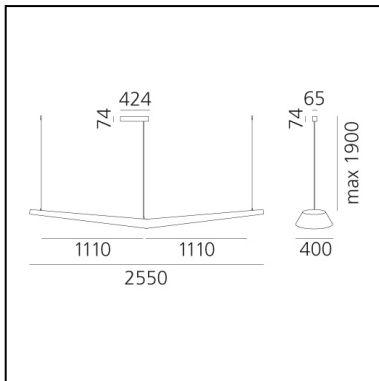
- Category: **Led**
- Number: **1**
- Watt: **80W**
- Color temperature (K): **3000K**

# Mouette Symmetric 2500 - Cable length 1900mm - DALI

Wilmotte & Industries



IP40/20   ERC Dimmerable: 



## LUMINAIRE

- Power Supply: **Electronic integrated**
- Watt: **135W**
- Voltage: **220V-240V**
- Delivered lumen output: **12215lm**
- CCT: **3000K**
- Efficiency: **80%**
- Efficacy: **90.48lm/W**
- CRI: **80**
- Dimmable Typology: **Dali**

## DESCRIPTION

The stylised geometric shape of two symmetrical or asymmetrical wings gives rise to a light volume that softly diffuses light.

## FEATURES

- Product Code: **AK00300**
- Colour: **White opaline**
- Installation: **Suspension**
- Material: **Moulded polypropylene, aluminium**
- Series: **Architectural Indoor**
- Area contract: **Hospitality, Retail, Office, Culture**
- design by: **Wilmotte & Industries**

## DIMENSIONS

- Length: **2550 mm**
- Base Width: **74 mm**
- Base Diameter: **424 mm**
- Max Height from ceiling: **1900 mm**
- Weight: **kg 8.5**
- Impact Resistance: **N.D.**
- Glow Wire Test: **750°**

## SOURCES INCLUDED

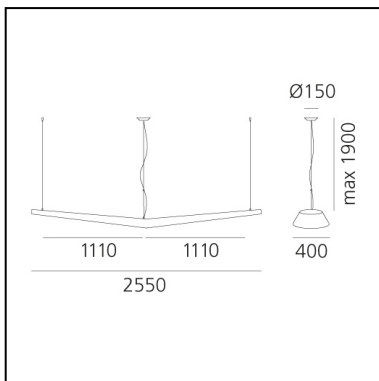
- Category: **Led**
- Number: **1**
- Watt: **105W**
- Color temperature (K): **3000K**

# Mouette Symmetric 2500 - Cable length 1900mm - Undimmable

Wilmotte & Industries



IP40/20   ERC



## LUMINAIRE

- Power Supply: **Electronic integrated**
- Watt: **135W**
- Voltage: **220V-240V**
- Delivered lumen output: **12215lm**
- CCT: **3000K**
- Efficiency: **80%**
- Efficacy: **90.48lm/W**
- CRI: **80**

## DESCRIPTION

The stylised geometric shape of two symmetrical or asymmetrical wings gives rise to a light volume that softly diffuses light.

## FEATURES

- Product Code: **AK00400**
- Colour: **White opaline**
- Installation: **Suspension**
- Material: **Moulded polypropylene, aluminium**
- Series: **Architectural Indoor**
- Area contract: **Hospitality, Retail, Office, Culture**
- design by: **Wilmotte & Industries**

## DIMENSIONS

- Length: **2550 mm**
- Max Height from ceiling: **1900 mm**
- Weight: **kg 8.5**
- Impact Resistance: **N.D.**
- Glow Wire Test: **750°**

## SOURCES INCLUDED

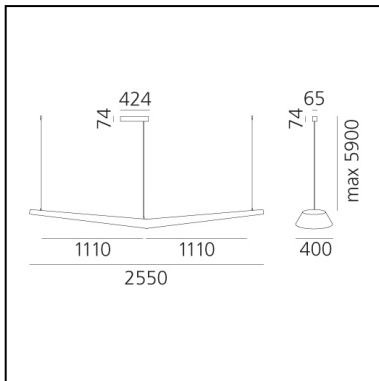
- Category: **Led**
- Number: **1**
- Watt: **105W**
- Color temperature (K): **3000K**

# Mouette Symmetric 2500 - Cable length 5900mm - DALI

Wilmotte & Industries



IP40/20   ERC Dimmerable: 



## LUMINAIRE

- Power Supply: **Electronic integrated**
- Watt: **135W**
- Voltage: **220V-240V**
- Delivered lumen output: **12215lm**
- CCT: **3000K**
- Efficiency: **80%**
- Efficacy: **90.48lm/W**
- CRI: **80**
- Dimmable Typology: **Dali**

## DESCRIPTION

The stylised geometric shape of two symmetrical or asymmetrical wings gives rise to a light volume that softly diffuses light.

## FEATURES

- Product Code: **AK10300**
- Colour: **White opaline**
- Installation: **Suspension**
- Material: **Moulded polypropylene, aluminium**
- Series: **Architectural Indoor**
- Area contract: **Hospitality, Retail, Office, Culture**
- design by: **Wilmotte & Industries**

## DIMENSIONS

- Length: **2550 mm**
- Base Width: **74 mm**
- Base Diameter: **424 mm**
- Max Height from ceiling: **5900 mm**
- Weight: **kg 8.6**
- Impact Resistance: **N.D.**
- Glow Wire Test: **750°**

## SOURCES INCLUDED

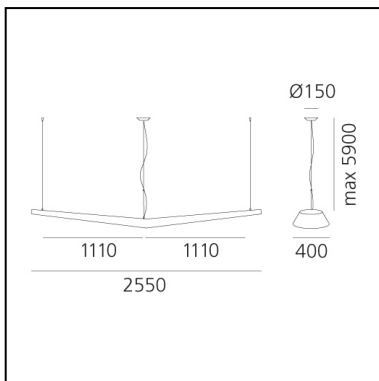
- Category: **Led**
- Number: **1**
- Watt: **105W**
- Color temperature (K): **3000K**

# Mouette Symmetric 2500 - Cable length 5900mm - Undimmable

Wilmotte & Industries



IP40/20   ERC



## LUMINAIRE

- Power Supply: **Electronic integrated**
- Watt: **135W**
- Voltage: **220V-240V**
- Delivered lumen output: **12215lm**
- CCT: **3000K**
- Efficiency: **80%**
- Efficacy: **90.48lm/W**
- CRI: **80**

## DESCRIPTION

The stylised geometric shape of two symmetrical or asymmetrical wings gives rise to a light volume that softly diffuses light.

## FEATURES

- Product Code: **AK10400**
- Colour: **White opaline**
- Installation: **Suspension**
- Material: **Moulded polypropylene, aluminium**
- Series: **Architectural Indoor**
- Area contract: **Hospitality, Retail, Office, Culture**
- design by: **Wilmotte & Industries**

## DIMENSIONS

- Length: **2550 mm**
- Max Height from ceiling: **5900 mm**
- Weight: **kg 8.6**
- Impact Resistance: **N.D.**
- Glow Wire Test: **750°**

## SOURCES INCLUDED

- Category: **Led**
- Number: **1**
- Watt: **105W**
- Color temperature (K): **3000K**

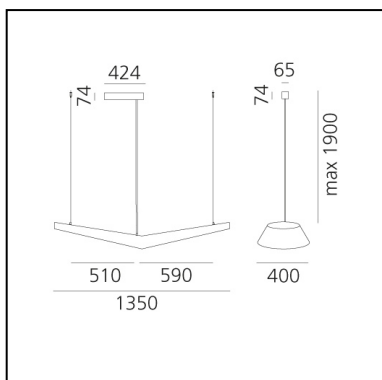


# Mouette Symmetric - Cable length 1900mm - DALI

Wilmotte & Industries



IP40/20   ERC Dimmerable: 



## LUMINAIRE

- Power Supply: **Electronic Integrated**
- Watt: **68W**
- Voltage: **220V-240V**
- Delivered lumen output: **6107lm**
- CCT: **3000K**
- Efficiency: **80%**
- Efficacy: **89.81lm/W**
- CRI: **80**
- Dimmable Typology: **Dali**

## Notes

Height: 1900mm max.

## DESCRIPTION

The stylised geometric shape of two symmetrical or asymmetrical wings gives rise to a light volume that softly diffuses light.

## FEATURES

- Product Code: **AK00100**
- Colour: **White opaline**
- Installation: **Suspension**
- Material: **Moulded polypropylene, aluminium**
- Series: **Architectural Indoor**
- Area contract: **Hospitality, Retail, Office, Culture**
- design by: **Wilmotte & Industries**

## DIMENSIONS

- Length: **1350 mm**
- Base Width: **74 mm**
- Base Diameter: **424 mm**
- Max Height from ceiling: **1900 mm**
- Weight: **kg 5.4**
- Impact Resistance: **N.D.**
- Glow Wire Test: **750°**

## SOURCES INCLUDED

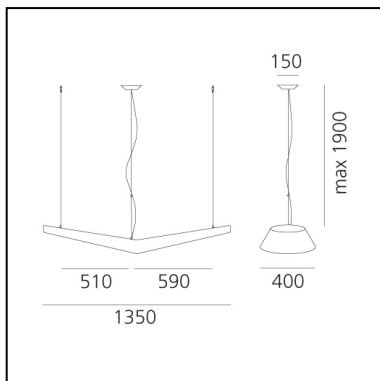
- Category: **Led**
- Number: **1**
- Watt: **55W**
- Color temperature (K): **3000K**

# Mouette Symmetric - Cable length 1900mm - Undimmable

Wilmotte & Industries



IP40/20   ERC



## LUMINAIRE

- Power Supply: **Electronic Integrated**
- Watt: **68W**
- Voltage: **220V-240V**
- Delivered lumen output: **6107lm**
- CCT: **3000K**
- Efficiency: **80%**
- Efficacy: **89.81lm/W**
- CRI: **80**

## Notes

Height: 1900mm max.

## DESCRIPTION

The stylised geometric shape of two symmetrical or asymmetrical wings gives rise to a light volume that softly diffuses light.

## FEATURES

- Product Code: **AK00200**
- Colour: **White opaline**
- Installation: **Suspension**
- Material: **Moulded polypropylene, aluminium**
- Series: **Architectural Indoor**
- Area contract: **Hospitality, Retail, Office, Culture**
- design by: **Wilmotte & Industries**

## DIMENSIONS

- Length: **1350 mm**
- Max Height from ceiling: **1900 mm**
- Weight: **kg 5.4**
- Impact Resistance: **N.D.**
- Glow Wire Test: **750°**

## SOURCES INCLUDED

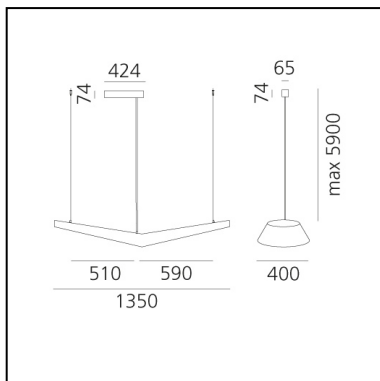
- Category: **Led**
- Number: **1**
- Watt: **55W**
- Color temperature (K): **3000K**

# Mouette Symmetric - Cable length 5900mm - DALI

Wilmotte & Industries



IP40/20   ERC Dimmerable: 



## LUMINAIRE

- Power Supply: **Electronic Integrated**
- Watt: **68W**
- Voltage: **220V-240V**
- Delivered lumen output: **6107lm**
- CCT: **3000K**
- Efficiency: **80%**
- Efficacy: **89.81lm/W**
- CRI: **80**
- Dimmable Typology: **Dali**

## DESCRIPTION

The stylised geometric shape of two symmetrical or asymmetrical wings gives rise to a light volume that softly diffuses light.

## FEATURES

- Product Code: **AK10100**
- Colour: **White opaline**
- Installation: **Suspension**
- Material: **Moulded polypropylene, aluminium**
- Series: **Architectural Indoor**
- Area contract: **Hospitality, Retail, Office, Culture**
- design by: **Wilmotte & Industries**

## DIMENSIONS

- Length: **1350 mm**
- Base Width: **74 mm**
- Base Diameter: **424 mm**
- Max Height from ceiling: **5900 mm**
- Weight: **kg 5.5**
- Impact Resistance: **N.D.**
- Glow Wire Test: **750°**

## SOURCES INCLUDED

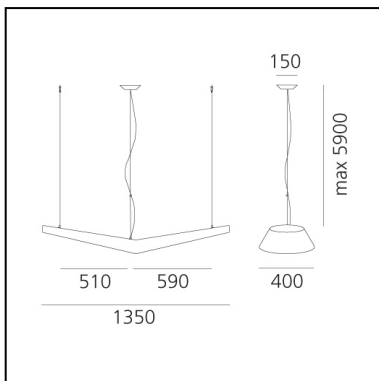
- Category: **Led**
- Number: **1**
- Watt: **55W**
- Color temperature (K): **3000K**

# Mouette Symmetric - Cable length 5900mm - Undimmable

Wilmotte & Industries



IP40/20   ERC



## LUMINAIRE

- Power Supply: **Electronic Integrated**
- Watt: **68W**
- Voltage: **220V-240V**
- Delivered lumen output: **6107lm**
- CCT: **3000K**
- Efficiency: **80%**
- Efficacy: **89.81lm/W**
- CRI: **80**

## DESCRIPTION

The stylised geometric shape of two symmetrical or asymmetrical wings gives rise to a light volume that softly diffuses light.

## FEATURES

- Product Code: **AK10200**
- Colour: **White opaline**
- Installation: **Suspension**
- Material: **Moulded polypropylene, aluminium**
- Series: **Architectural Indoor**
- Area contract: **Hospitality, Retail, Office, Culture**
- design by: **Wilmotte & Industries**

## DIMENSIONS

- Length: **1350 mm**
- Max Height from ceiling: **5900 mm**
- Weight: **kg 5.5**
- Impact Resistance: **N.D.**
- Glow Wire Test: **750°**

## SOURCES INCLUDED

- Category: **Led**
- Number: **1**
- Watt: **55W**
- Color temperature (K): **3000K**