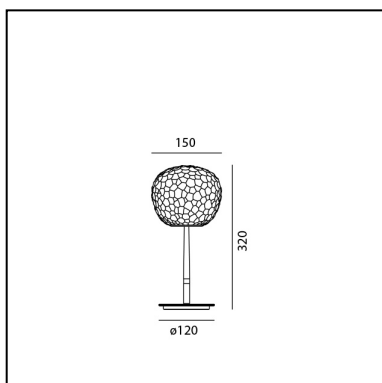


Meteorite 15 Table Stem (E14)

Pio & Tito Toso



IP20   



LUMINAIRE

- Watt: **5W**
- Voltage: **220V - 240V**
- Delivered lumen output: **252lm**
- Efficiency: **54%**
- Efficacy: **50.36lm/W**
- CRI: **80**

DESCRIPTION

The double-layer artistic glass diffuser is handmade using the mould-blowing craft technique followed by grinding, with the end result resembling the age-old Murano art of 'battuto' glass with its textured, beaten look.

FEATURES

- Product Code: **1709110A**
- Colour: **white**
- Installation: **Table**
- Material: **Steel base and rod, technopolymer support, blown frosted glass diffuser with acid-etching treatment**
- Series: **Design Collection**
- design by: **Pio & Tito Toso**

DIMENSIONS

- Height: **320 mm**
- Diameter: **150 mm**
- Base Diameter: **120 mm**
- Glow Wire Test: **N/D°**




SOURCES NOT INCLUDED

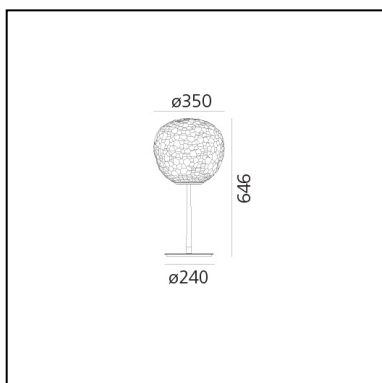
- Category: **LED RETROFIT**
- Number: **1**
- Socket: **E14**

Meteorite 35 Table Stem

Pio & Tito Toso



IP20   



LUMINAIRE

- Watt: **21W**
- Voltage: **220V - 240V**
- Delivered lumen output: **1760lm**
- Efficiency: **72%**
- Efficacy: **83.81lm/W**
- CRI: **80**

DESCRIPTION

The double-layer artistic glass diffuser is handmade using the mould-blowing craft technique followed by grinding, with the end result resembling the age-old Murano art of 'battuto' glass with its textured, beaten look.

FEATURES

- Product Code: **1705010A**
- Colour: **white**
- Installation: **Table**
- Material: **Steel base and rod, technopolymer support, blown frosted glass diffuser with acid-etching treatment**
- Series: **Design Collection**
- design by: **Pio & Tito Toso**

DIMENSIONS

- Height: **646 mm**
- Diameter: **350 mm**
- Base Diameter: **240 mm**
- Glow Wire Test: **850°**

SOURCES NOT INCLUDED

- Category: **LED RETROFIT**
- Number: **1**
- Socket: **E27**