

LUCID 200 FLUSH

Designed by Michaël Verheyden for CTO Lighting and inspired by Parisian Brasseries reinterpreted using a palette of luxurious materials such as alabaster satin brass, bronze, or satin brass with oxidized silver.

FINISH

honed alabaster
oxidised silvered brass base
LUCCW2HAOS

honed alabaster
satin brass metal work
LUCCW2HASB

honed alabaster
bronze metal work
LUCCW2HABZ

BULBS

240v - 1 x E14, 6.5w 2700k - LED ONLY
120v - 1 x E12, 6.5w 2700k - LED ONLY
(no bulbs supplied)

WEIGHT

4kg (8.8lbs)

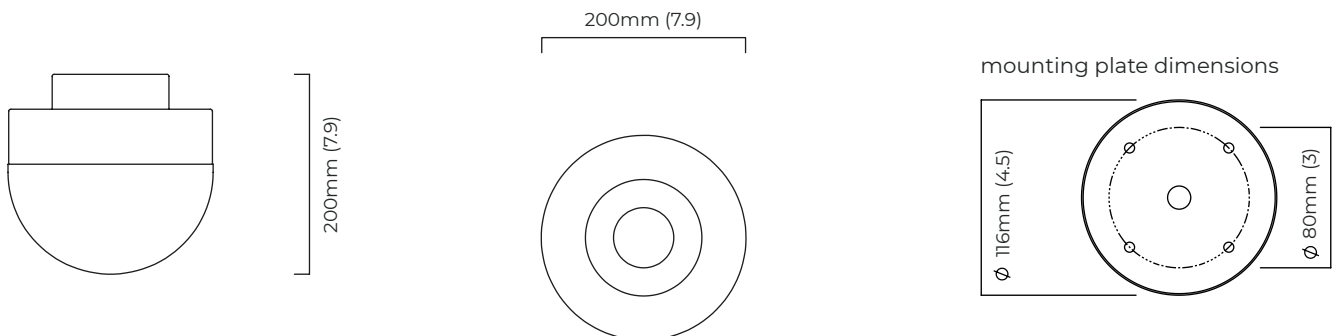
DESIGNER

Michaël Verheyden

CERTIFICATION



E492308



LUCID 300 FLUSH

Designed by Michaël Verheyden for CTO Lighting and inspired by Parisian Brasseries reinterpreted using a palette of luxurious materials such as alabaster satin brass, bronze, or satin brass with oxidized silver.

FINISH

honed alabaster
oxidised silvered brass base
satin brass drop rod and ceiling box
LUCCW3HAOS

honed alabaster
satin brass metal work
LUCCW3HASB

honed alabaster
bronze metal work
LUCCW3HABZ

BULBS

240v - 1 x E27, 8w - 2700k - LED ONLY
120v - 1 x E26, 8w - 2700k - LED ONLY
(no bulbs supplied)

WEIGHT

9kg (19.8lbs)

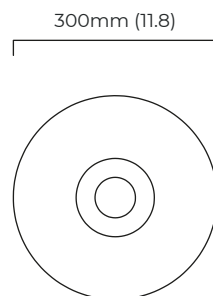
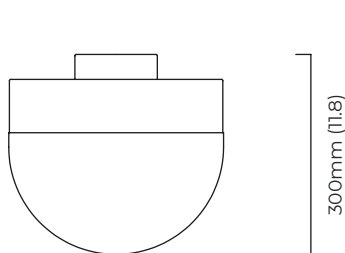
DESIGNER

Michaël Verheyden

CERTIFICATION



E492308



mounting plate dimensions

