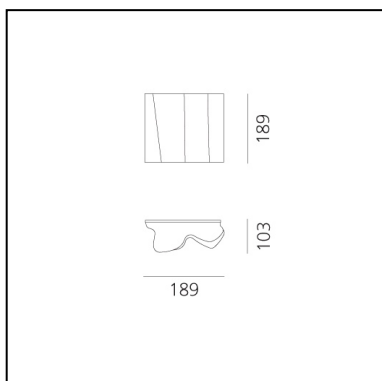


Logico Micro Wall - Silk Diffuser

Michele De Lucchi
Gerhard Reichert



IP20      Dimmerable: 



LUMINAIRE

- Watt: **5W**
- Voltage: **220V-240V**
- Delivered lumen output: **279lm**
- Efficiency: **59%**
- Efficacy: **55.70lm/W**
- CRI: **80**

DESCRIPTION

The hand-made blown glass diffuser defines a soft, irregular volume, shaped by curves that generate a relationship of positives and negatives which make the geometric shape modular for linear compositions.

FEATURES

- Product Code: **0846030A**
- Colour: **Silk**
- Installation: **Wall**
- Material: **Blown glass, steel**
- Series: **Design Collection**
- Environment: **Indoor**
- Area contract: **Hospitality, null, Office, Residential**
- Emission: **Diffused And Direct**
- design by: **Michele De Lucchi, Gerhard Reichert**

DIMENSIONS

- Length: **189 mm**
- Width: **103 mm**
- Height: **189 mm**

SOURCES NOT INCLUDED

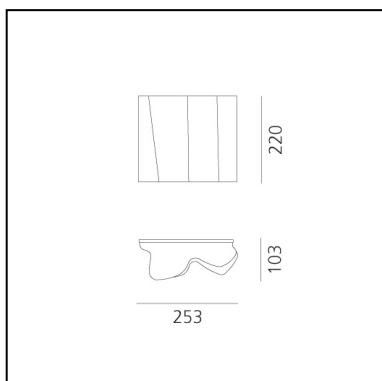
- Category: **LED RETROFIT**
- Number: **1**
- Watt: **5W**
- Socket: **E14**

Logico Mini Wall - Silk Diffuser

Michele De Lucchi
Gerhard Reichert



IP20    Dimmerable:  +0-



LUMINAIRE

- Watt: **10,5W**
- Voltage: **220V-240V**
- Delivered lumen output: **740lm**
- Efficiency: **70%**
- Efficacy: **74.01lm/W**
- CRI: **80**

DESCRIPTION

The hand-made blown glass diffuser defines a soft, irregular volume, shaped by curves that generate a relationship of positives and negatives which make the geometric shape modular for linear compositions.

FEATURES

- Product Code: **0395030A**
- Colour: **Silk**
- Installation: **Wall**
- Material: **Blown glass, steel**
- Series: **Design Collection**
- Environment: **Indoor**
- Area contract: **Hospitality, null, Office, Residential**
- Emission: **Diffused And Direct**
- design by: **Michele De Lucchi, Gerhard Reichert**

DIMENSIONS

- Length: **253 mm**
- Width: **103 mm**
- Height: **220 mm**

SOURCES NOT INCLUDED

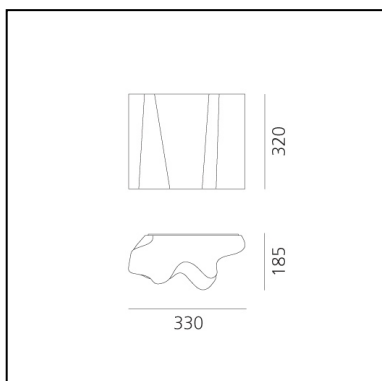
- Category: **LED RETROFIT**
- Number: **1**
- Watt: **8W**
- Delivered lumen output: **900lm**
- Socket: **E27**

Logico Wall - Silk Diffuser

Michele De Lucchi
Gerhard Reichert



IP20      Dimmerable: 



LUMINAIRE

- Watt: **26W**
- Voltage: **220V-240V**
- Delivered lumen output: **2134lm**
- Efficiency: **70%**
- Efficacy: **82.08lm/W**
- CRI: **80**

DESCRIPTION

The hand-made blown glass diffuser defines a soft, irregular volume, shaped by curves that generate a relationship of positives and negatives which make the geometric shape modular for linear compositions.

FEATURES

- Product Code: **0391030A**
- Colour: **Silk**
- Installation: **Wall**
- Material: **Blown glass, steel**
- Series: **Design Collection**
- Environment: **Indoor**
- Area contract: **Hospitality, null, Office, Residential**
- Emission: **Diffused And Direct**
- design by: **Michele De Lucchi, Gerhard Reichert**

DIMENSIONS

- Length: **330 mm**
- Width: **185 mm**
- Height: **320 mm**

SOURCES NOT INCLUDED

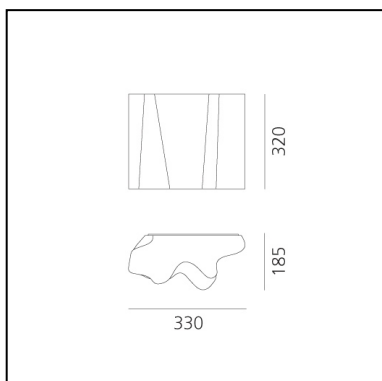
- Category: **LED RETROFIT**
- Number: **2**
- Watt: **8W**
- Delivered lumen output: **900lm**
- Socket: **E27**

Logico Wall - Fumè Diffuser

Michele De Lucchi
Gerhard Reichert



IP20      Dimmerable: 



LUMINAIRE

- Watt: **26W**
- Voltage: **220V-240V**
- Delivered lumen output: **2134lm**

DESCRIPTION

The hand-made blown glass diffuser defines a soft, irregular volume, shaped by curves that generate a relationship of positives and negatives which make the geometric shape modular for linear compositions.

FEATURES

- Product Code: **0391010A**
- Colour: **Fumè**
- Installation: **Wall**
- Material: **Blown glass, steel**
- Series: **Design Collection**
- Environment: **Indoor**
- Area contract: **Hospitality, null, Office, Residential**
- Emission: **Diffused And Direct**
- design by: **Michele De Lucchi, Gerhard Reichert**

DIMENSIONS

- Length: **330 mm**
- Width: **185 mm**
- Height: **320 mm**

SOURCES NOT INCLUDED

- Category: **LED RETROFIT**
- Number: **2**
- Watt: **8W**
- Delivered lumen output: **900lm**
- Socket: **E27**