

Lampada Esagonale 52 - Aluminum

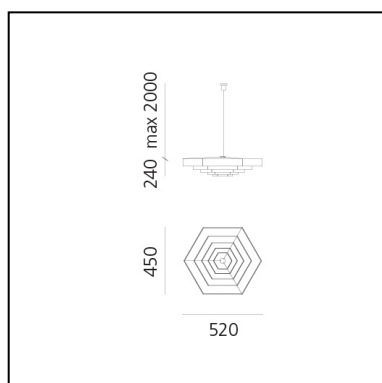
Bruno Munari



DESCRIPTION

Lampada esagonale is a pendant light made of concentric hexagonal rings of reflective sheet metal. The light is reflected in all directions by the metal sheets and evenly illuminates the space.

IP20  Dimmerable: 



LUMINAIRE

– Watt: **77W**

FEATURES

- Product Code: **DM2004A00**
- Colour: **Aluminum**
- Installation: **Suspension**
- Material: **Aluminum**
- Series: **Design Collection, Danese**
- Environment: **Indoor**
- design by: **Bruno Munari**

DIMENSIONS

- Length: **520 mm**
- Height: **240 mm**
- Depth: **450 mm**
- Max Height from ceiling: **2000 mm**

NOT INCLUDED SOURCES

- Category: **HALO**
- Number: **1**
- Watt: **77W**
- Socket: **E27**
- Class: **A**

ALTERNATIVE SOURCES

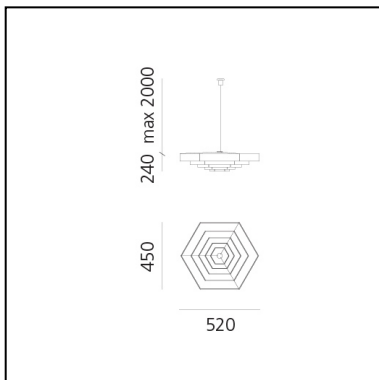
- Category: **LED RETROFIT**
- Number: **1**
- Watt: **8W**
- Socket: **E27**

Lampada Esagonale 52 - White

Bruno Munari



IP20  Dimmerable: 



LUMINAIRE

– Watt: **77W**

DESCRIPTION

Lampada esagonale is a pendant light made of concentric hexagonal rings of reflective sheet metal. The light is reflected in all directions by the metal sheets and evenly illuminates the space.

FEATURES

- Product Code: **DM2004A10**
- Colour: **White**
- Installation: **Suspension**
- Material: **Aluminum**
- Series: **Design Collection, Danese**
- Environment: **Indoor**
- design by: **Bruno Munari**

DIMENSIONS

- Width: **520 mm**
- Height: **240 mm**
- Depth: **450 mm**
- Max Height from ceiling: **2000 mm**

NOT INCLUDED SOURCES

- Category: **HALO**
- Number: **1**
- Watt: **77W**
- Socket: **E27**
- Class: **A**

ALTERNATIVE SOURCES

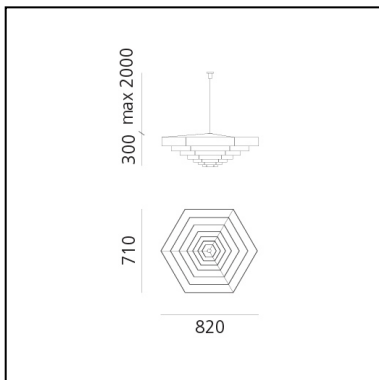
- Category: **LED RETROFIT**
- Number: **1**
- Watt: **8W**
- Socket: **E27**

Lampada Esagonale 82 - Aluminum

Bruno Munari



IP20  Dimmerable: 



LUMINAIRE

– Watt: **77W**

DESCRIPTION

Lampada esagonale is a pendant light made of concentric hexagonal rings of reflective sheet metal. The light is reflected in all directions by the metal sheets and evenly illuminates the space.

FEATURES

- Product Code: **DM2004B00**
- Colour: **Aluminum**
- Installation: **Suspension**
- Material: **Aluminum**
- Series: **Design Collection, Danese**
- Environment: **Indoor**
- design by: **Bruno Munari**

DIMENSIONS

- Width: **820 mm**
- Height: **300 mm**
- Depth: **710 mm**
- Max Height from ceiling: **2000 mm**

NOT INCLUDED SOURCES

- Category: **HALO**
- Number: **1**
- Watt: **77W**
- Socket: **E27**
- Class: **A**

ALTERNATIVE SOURCES

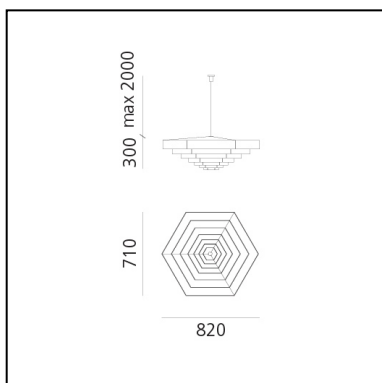
- Category: **LED RETROFIT**
- Number: **1**
- Watt: **8W**
- Socket: **E27**

Lampada Esagonale 82 - White

Bruno Munari



IP20  Dimmerable: 



LUMINAIRE

– Watt: **77W**

DESCRIPTION

Lampada esagonale is a pendant light made of concentric hexagonal rings of reflective sheet metal. The light is reflected in all directions by the metal sheets and evenly illuminates the space.

FEATURES

- Product Code: **DM2004B10**
- Colour: **White**
- Installation: **Suspension**
- Material: **Aluminum**
- Series: **Design Collection, Danese**
- Environment: **Indoor**
- design by: **Bruno Munari**

DIMENSIONS

- Length: **820 mm**
- Height: **300 mm**
- Depth: **710 mm**
- Max Height from ceiling: **2000 mm**

NOT INCLUDED SOURCES

- Category: **HALO**
- Number: **1**
- Watt: **77W**
- Socket: **E27**
- Class: **A**

ALTERNATIVE SOURCES

- Category: **LED RETROFIT**
- Number: **1**
- Watt: **8W**
- Socket: **E27**