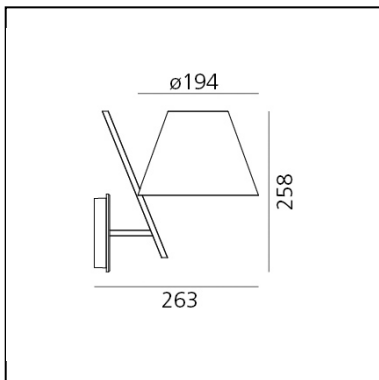


La Petite Wall - White

Quaglio Simonelli



  Dimmerable: +0-



LUMINAIRE

- Watt: **5W**
- Delivered lumen output: **307lm**
- Efficiency: **65%**
- Efficacy: **61.38lm/W**
- CRI: **80**

DESCRIPTION

An archetypal lampshade balancing on a slanted rod creates a balanced and stylish geometric composition that is mesmerising despite its simplicity. The lampshade is a light plastic volume closed by two diffusers that produce a delightful soft direct and indirect light. The joint supports the lampshade on a minimalist resting point, connecting it to the aluminum rod.

FEATURES

- Product Code: **1752020A**
- Colour: **White**
- Installation: **Wall**
- Material: **Polycarbonate, aluminium, methacrylate**
- Series: **Design Collection**
- Environment: **Indoor**
- Emission: **diffused**
- design by: **Quaglio Simonelli**

DIMENSIONS

- Width: **263 mm**
- Height: **258 mm**
- Diameter: **194 mm**


SOURCES NOT INCLUDED

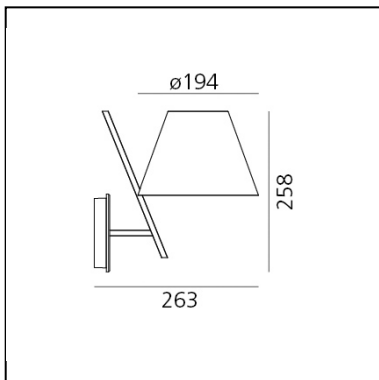
- Category: **LED RETROFIT**
- Number: **1**
- Socket: **E14**

La Petite Wall - Black

Quaglio Simonelli



  Dimmerable: +0-



LUMINAIRE

- Watt: **5W**
- Delivered lumen output: **307lm**
- Efficiency: **65%**
- Efficacy: **61.38lm/W**
- CRI: **80**

DESCRIPTION

An archetypal lampshade balancing on a slanted rod creates a balanced and stylish geometric composition that is mesmerising despite its simplicity. The lampshade is a light plastic volume closed by two diffusers that produce a delightful soft direct and indirect light. The joint supports the lampshade on a minimalist resting point, connecting it to the aluminum rod.

FEATURES

- Product Code: **1752030A**
- Colour: **Black**
- Installation: **Wall**
- Material: **Polycarbonate, aluminium, methacrylate**
- Series: **Design Collection**
- Environment: **Indoor**
- Emission: **diffused**
- design by: **Quaglio Simonelli**

DIMENSIONS

- Width: **263 mm**
- Height: **258 mm**
- Diameter: **194 mm**

SOURCES NOT INCLUDED

- Category: **LED RETROFIT**
- Number: **1**
- Socket: **E14**