

La Petite Floor - Black

Quaglio Simonelli



DESCRIPTION

An archetypal lampshade balancing on a slanted rod creates a balanced and stylish geometric composition that is mesmerising despite its simplicity. The lampshade is a light plastic volume closed by two diffusers that produce a delightful soft direct and indirect light. The joint supports the lampshade on a minimalist resting point, connecting it to the aluminum rod.

FEATURES

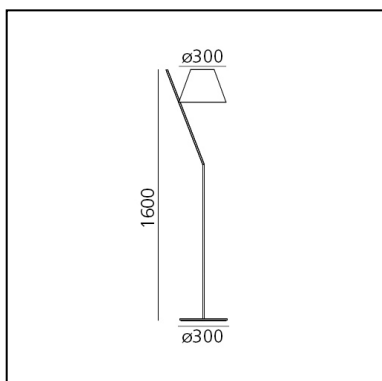
- Product Code: **1753030A**
- Colour: **Black**
- Installation: **Floor**
- Material: **Polycarbonate, aluminium, methacrylate**
- Series: **Design Collection**
- Environment: **Indoor**
- design by: **Quaglio Simonelli**

DIMENSIONS

- Width: **380 mm**
- Height: **1600 mm**
- Diameter: **300 mm**
- Base Diameter: **300 mm**

SOURCES NOT INCLUDED

- Category: **LED RETROFIT**
- Number: **1**
- Socket: **E27**

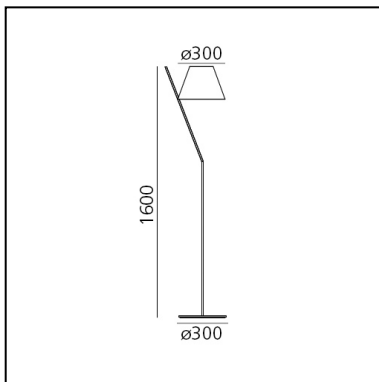


LUMINAIRE

- Watt: **12W**
- Delivered lumen output: **872lm**
- CCT: **2700K**
- Efficiency: **57%**
- Efficacy: **72.70lm/W**
- CRI: **80**

La Petite Floor - White

Quaglio Simonelli



LUMINAIRE

- Watt: **12W**
- Delivered lumen output: **872lm**
- CCT: **2700K**
- Efficiency: **57%**
- Efficacy: **72.70lm/W**
- CRI: **80**

DESCRIPTION

An archetypal lampshade balancing on a slanted rod creates a balanced and stylish geometric composition that is mesmerising despite its simplicity. The lampshade is a light plastic volume closed by two diffusers that produce a delightful soft direct and indirect light. The joint supports the lampshade on a minimalist resting point, connecting it to the aluminum rod.

FEATURES

- Product Code: **1753020A**
- Colour: **White**
- Installation: **Floor**
- Material: **Polycarbonate, aluminium, methacrylate**
- Series: **Design Collection**
- Environment: **Indoor**
- design by: **Quaglio Simonelli**

DIMENSIONS

- Width: **380 mm**
- Height: **1600 mm**
- Diameter: **300 mm**
- Base Diameter: **300 mm**

SOURCES NOT INCLUDED

- Category: **LED RETROFIT**
- Number: **1**
- Socket: **E27**