

KEPLER PETITE

Arihiro Miyake

The Kepler collection is made of painted extruded aluminium, whose continuous line is obtained through a three-dimensional manufacturing process developed by Nemo. Designed on the basis of the mathematical principle of the Möbius strip. Diffuser in opaque technopolymer.



DOWNLIGHT 2700K

LAMPING

Source	Linear LED
Total power	55W
Emission	diffused
Switching	dimnable 1-10V
Tension	110-240V
Color temperature	2700K
Luminous flux	1954lm
Typ CRI	85
IP class	20
Materials	aluminium + PC
Notes	adjustable cable length from 2,5m to 0,4m, DALI version on request, TRIAC VERSION on request
Net lamp weight	1,3 kg

Codes

KES LWW 54
KES LNN 54
KES LOW 54

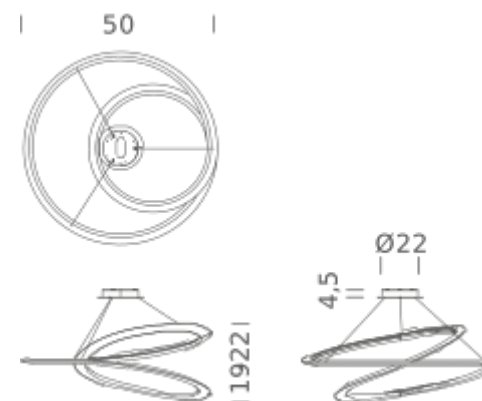
Structure

white
black
gold

PACKAGE

Package 01 Dimension: 50x50x22 cm / Gross weight: 3,1 kg

Certificazioni



DOWNLIGHT 3000K

LAMPING

Source	Linear LED
Total power	55W
Emission	diffused
Switching	dimmable 1-10V
Tension	110-240V
Color temperature	3000K
Luminous flux	1954lm
Typ CRI	85
IP class	20
Materials	aluminium + PC
Notes	adjustable cable length from 2,5m to 0,4m, DALI version on request
Net lamp weight	1,3 kg

Codes

KES LWW 52
KES LNN 52
KES LOW 52

Structure

white
black
gold

PACKAGE

Package 01 Dimension: 50x50x22 cm / Gross weight: 3,1 kg

Certificazioni

