

# KEPLER MINOR

*Arihiro Miyake*

The Kepler collection is made of painted extruded aluminium, whose continuous line is obtained through a three-dimensional manufacturing process developed by Nemo. Designed on the basis of the mathematical principle of the Möbius strip. Diffuser in opaque technopolymer.



# DOWNLIGHT 2700K

## LAMPING

Source	Linear LED
Total power	69W
Emission	diffused
Switching	dimmable 1-10V
Tension	110-240V
Color temperature	2700K
Luminous flux	4000lm
Typ CRI	85
IP class	20
Materials	aluminium + PC
Notes	adjustable cable length from 2,5m to 0,4m, DALI version on request, TRIAC VERSION on request
Net lamp weight	6 kg

## Codes

KEM LWW 54  
KEM LNN 54  
KEM LOW 54

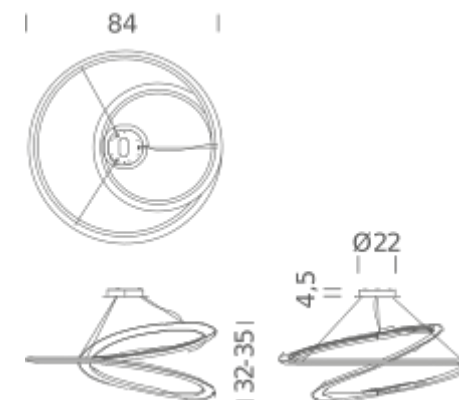
## Structure

white  
black  
gold

## PACKAGE

Package 01 Dimension: 90x90x45 cm / Gross weight: 11 kg

## Certificazioni



# DOWNLIGHT 3000K

## LAMPING

Source	Linear LED
Total power	69W
Emission	diffused
Switching	dimmable 1-10V
Tension	110-240V
Color temperature	3000K
Luminous flux	4000lm
Typ CRI	85
IP class	20
Materials	aluminium + PC
Notes	adjustable cable length from 2,5m to 0,4m, DALI version on request
Net lamp weight	6 kg

## Codes

KEM LWW 52  
KEM LNN 52  
KEM LOW 52

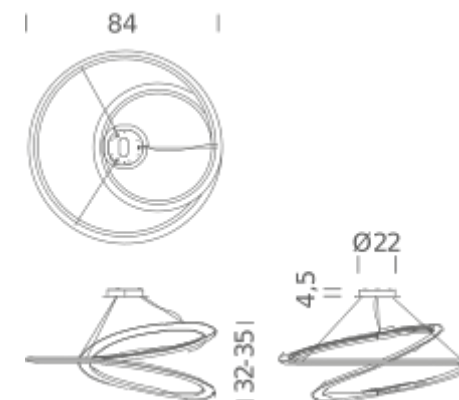
## Structure

white  
black  
gold

## PACKAGE

Package 01 Dimension: 90x90x45 cm / Gross weight: 11 kg

## Certificazioni



# UPLIGHT 2700K

## LAMPING

Source	Linear LED
Total power	69W
Emission	diffused indirect
Switching	dimmable 1-10V
Tension	110-240V
Color temperature	2700K
Luminous flux	4000lm
Typ CRI	85
IP class	20
Materials	aluminium + PC
Notes	adjustable cable length from 2,5m to 0,4m, DALI version on request
Net lamp weight	6 kg

## Codes

KEM LWW 53  
KEM LNN 53  
KEM LOW 53

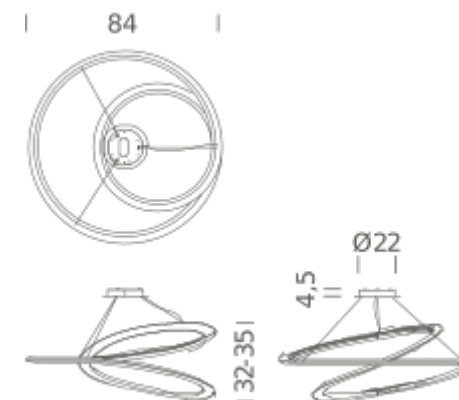
## Structure

white  
black  
gold painted

## PACKAGE

Package 01 Dimension: 90x90x45 cm / Gross weight: 11 kg

## Certificazioni



# UPLIGHT 3000K

## LAMPING

Source	Linear LED
Total power	69W
Emission	diffused indirect
Switching	dimmable 1-10V
Tension	110-240V
Color temperature	3000K
Luminous flux	4000lm
Typ CRI	85
IP class	20
Materials	aluminium + PC
Notes	adjustable cable length from 2,5m to 0,4m, DALI version on request
Net lamp weight	6 kg

## Codes

KEM LWW 51  
KEM LNN 51  
KEM LOW 51

## Structure

white  
black  
gold

## PACKAGE

Package 01 Dimension: 90x90x45 cm / Gross weight: 11 kg

## Certificazioni

