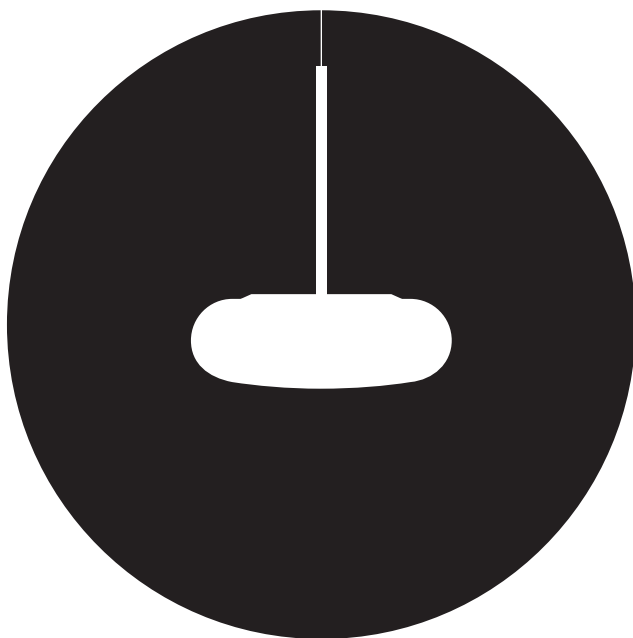


# ITKA

suspension

Naoto Fukasawa | 2010

DANESE  
  
MILANO



Ø 20



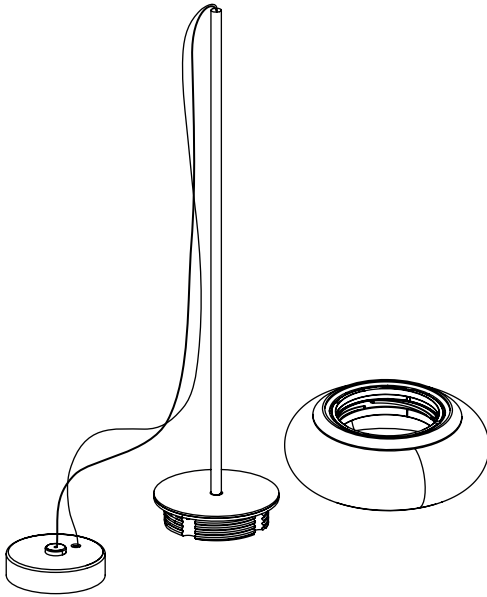
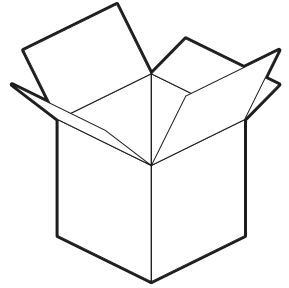
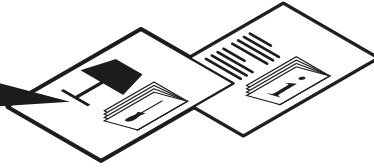


Fig. 1

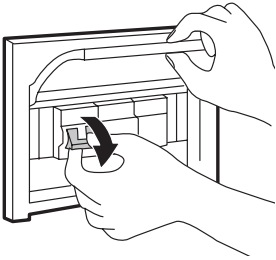
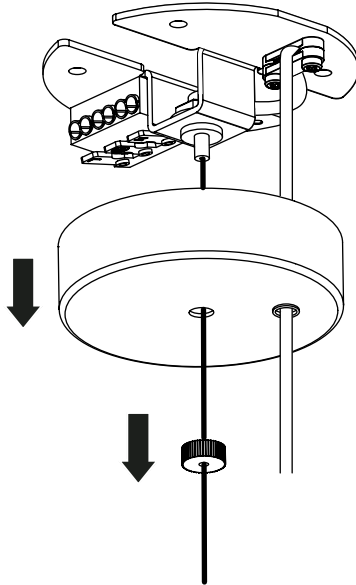


Fig. 2

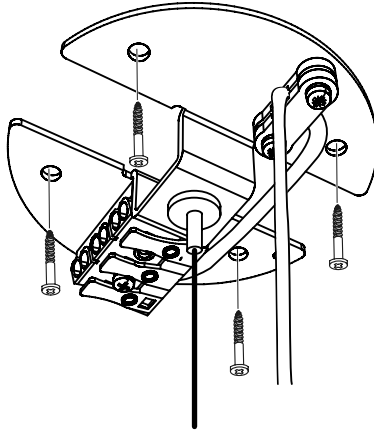


Fig. 3

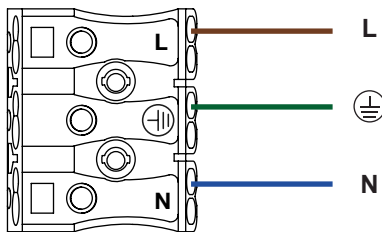


Fig. 4

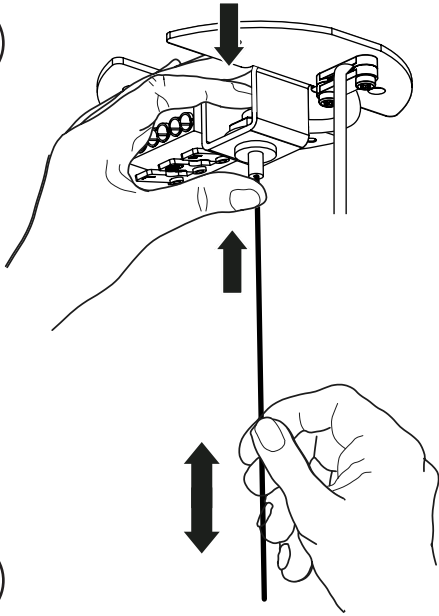


Fig. 5

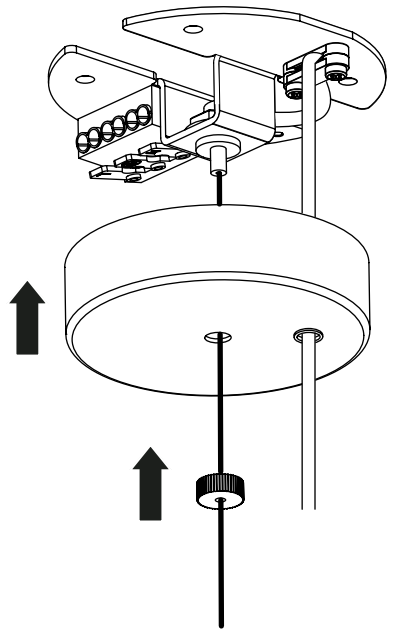


Fig. 6

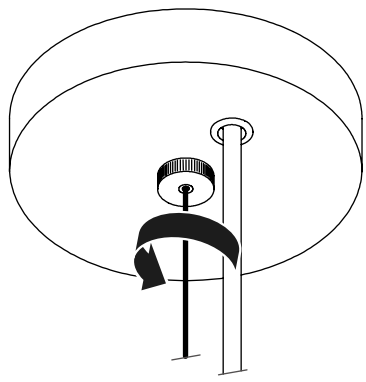
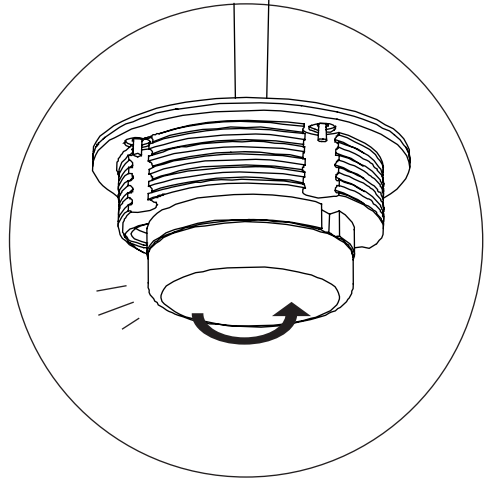
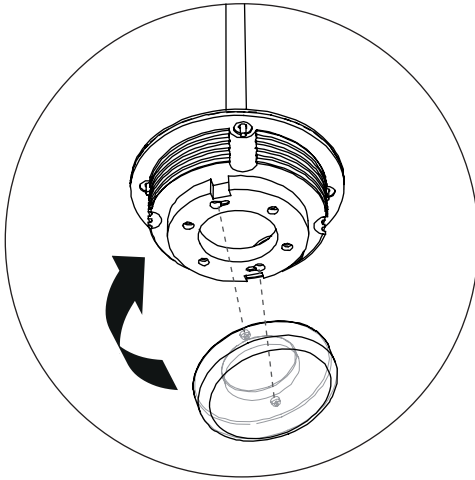


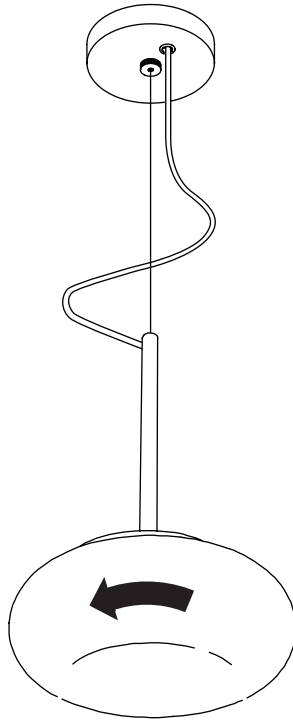


Fig. 7



<b>220 - 240 V / 50 - 60 Hz</b>	
<b>MAX 9W (Gx53)</b>	
Fluo: FBSH	360 lm
LED:	300 lm

Fig. 8





## DANESE

---

VIA ANTONIO CANOVA 34

---

20145 MILANO

---

T. +39.02.349611

F. +39.02.34538211

info@danese milano.com

www.danese milano.com

## SHOWROOM

---

PIAZZA SAN NAZARO IN BROLO 15

---

20122 MILANO

---

T. +39.02.58304150

F. +39.02.58433350

showroomdanese@artemide.com

# DANESE



# MILANO | Artemide®

VIA BERGAMO 18

---

20010 PREGNANA MILANESE (MI) ITALY

---

T. +39.02.935181 - 935261

Numero Verde 800 834 093 (from Italy only)

© JULY 2016 DANESE

---

DANESE reserves the right to change, at any time and without prior warning, the technical specification of any product illustrated in this instruction.

cod. Y513000610

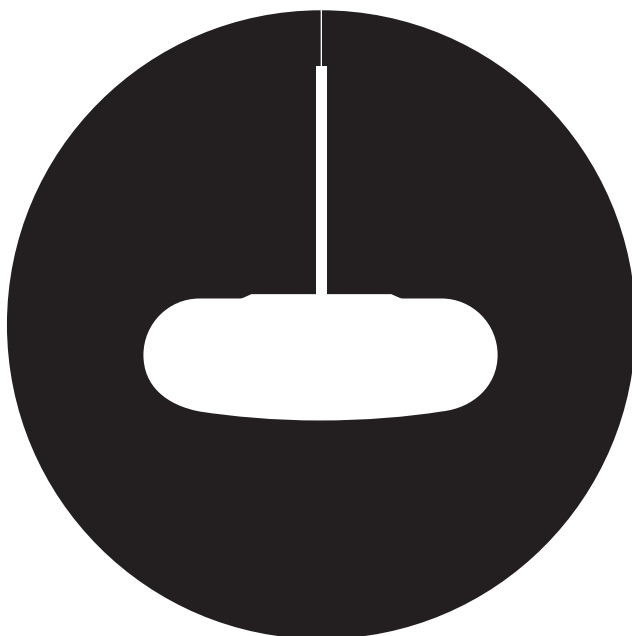


# ITKA

suspension

Naoto Fukasawa | 2010

DANESE  
  
MILANO



Ø 35



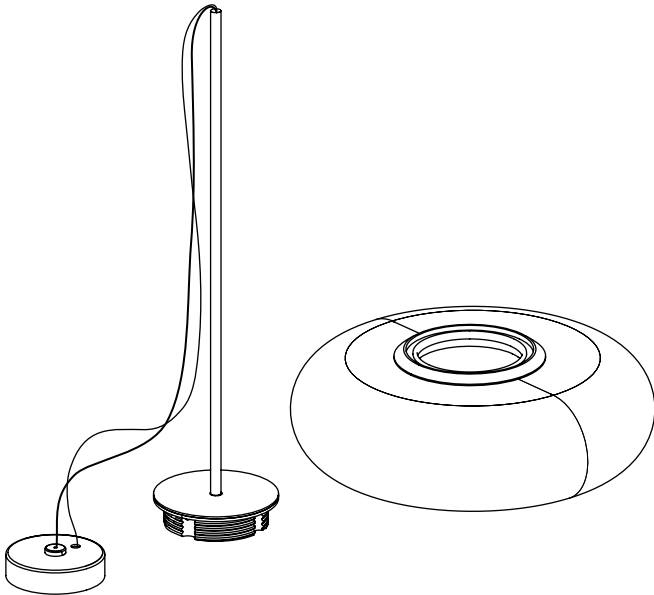
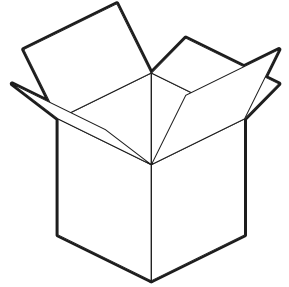
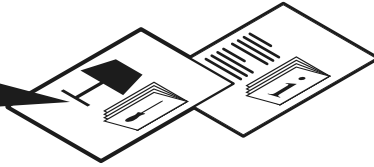


Fig. 1

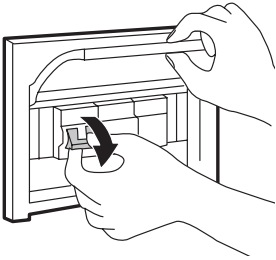
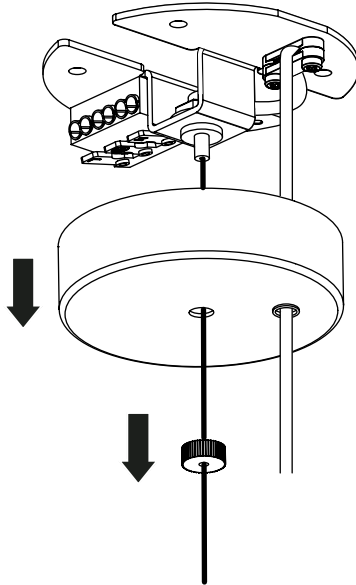


Fig. 2

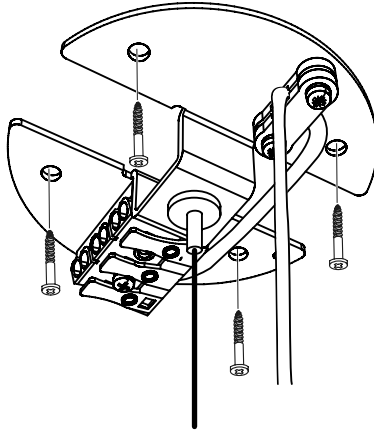


Fig. 3

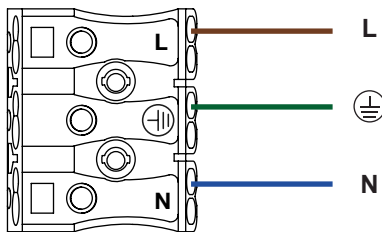


Fig. 4

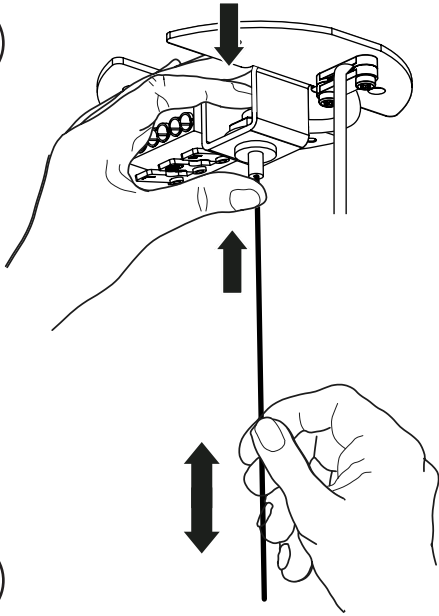


Fig. 5

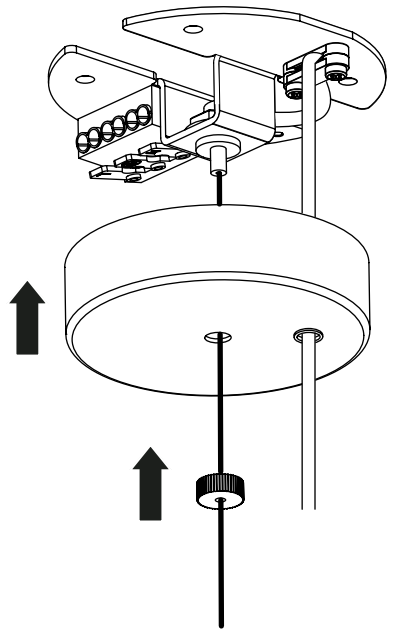
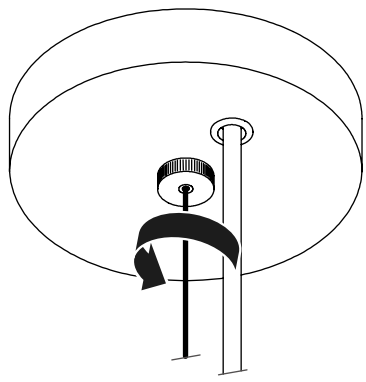


Fig. 6



<b>220 - 240 V / 50 - 60 Hz</b>	
<b>MAX 10W (E14)</b>	
Fluo: FBT	580 lm
LED: DRAA	370 lm

Fig.7

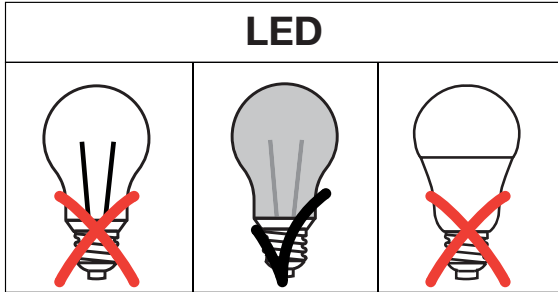


Fig.8

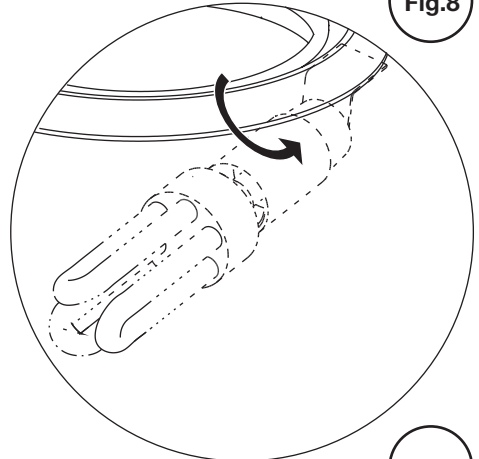
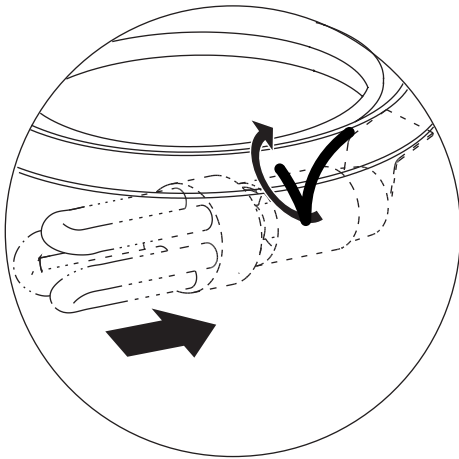


Fig.9

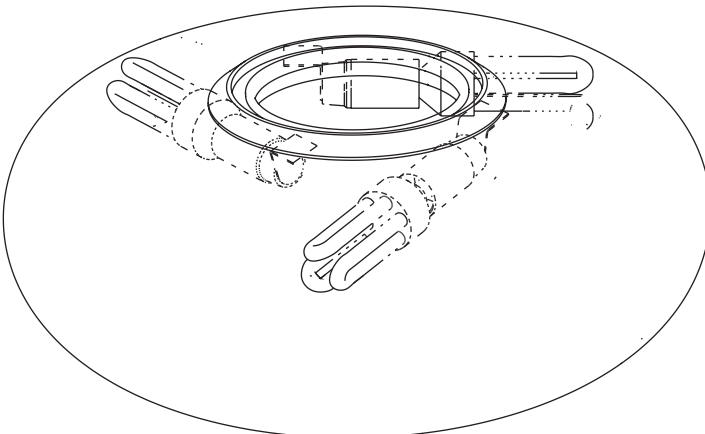


Fig.10

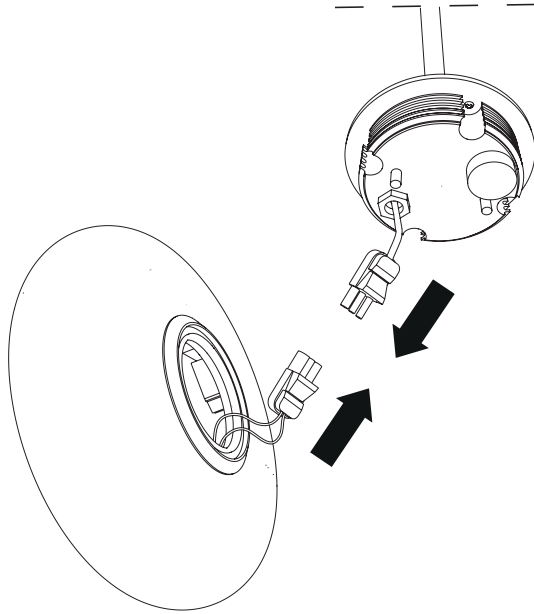


Fig.11

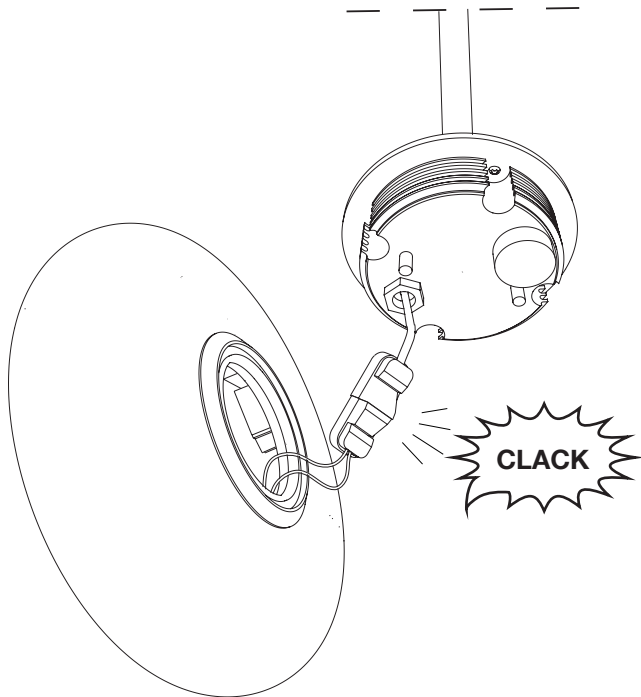
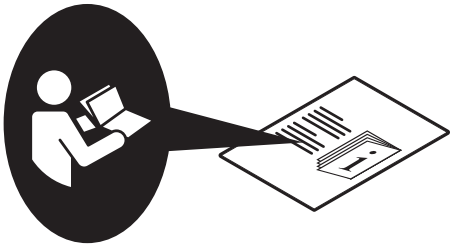
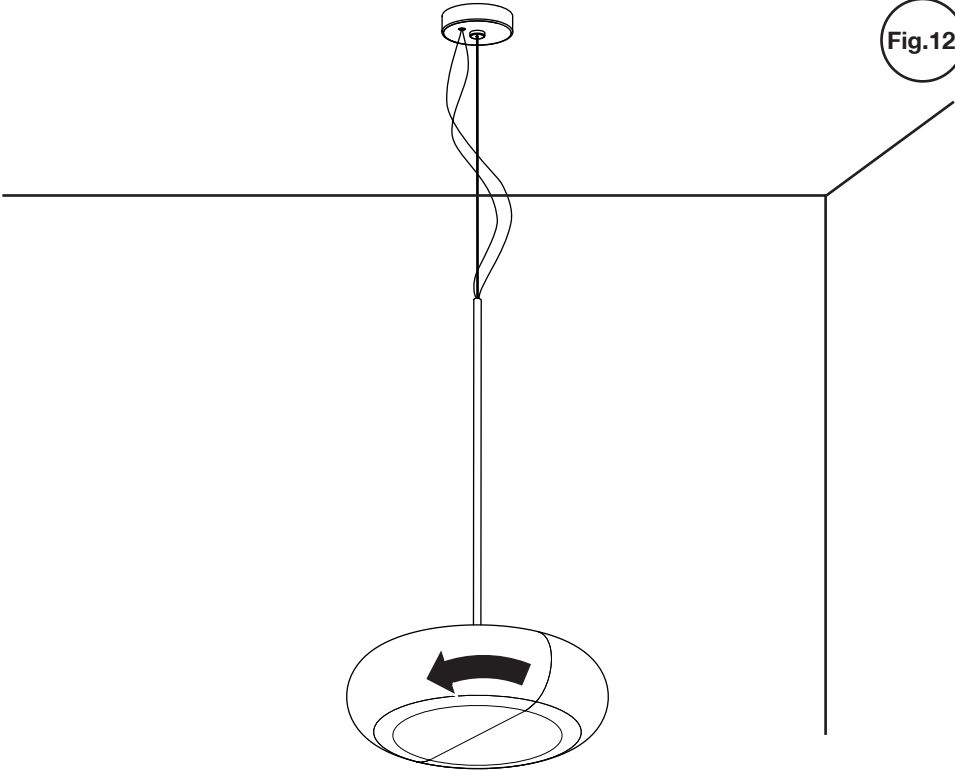


Fig.12



## DANESE

---

VIA ANTONIO CANOVA 34

---

20145 MILANO

---

T. +39.02.349611

F. +39.02.34538211

info@danese milano.com

www.danese milano.com

## SHOWROOM

---

PIAZZA SAN NAZARO IN BROLO 15

---

20122 MILANO

---

T. +39.02.58304150

F. +39.02.58433350

showroomdanese@artemide.com

# DANESE



# MILANO | Artemide®

VIA BERGAMO 18

---

20010 PREGNANA MILANESE (MI) ITALY

---

T. +39.02.935181 - 935261

Numero Verde 800 834 093 (from Italy only)

© JULY 2016 DANESE

---

DANESE reserves the right to change, at any time and without prior warning, the technical specification of any product illustrated in this instruction.

cod. Y513000614

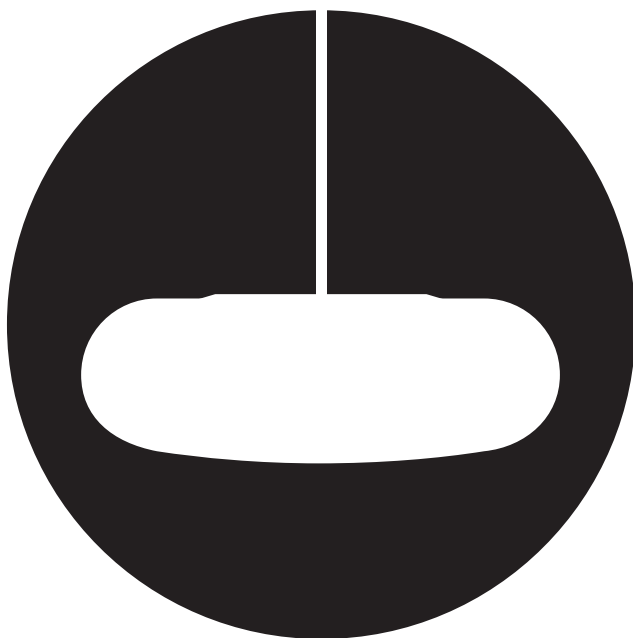


# ITKA

suspension

Naoto Fukasawa | 2010

DANESE  
  
MILANO



Ø 50

MADE IN ITALY



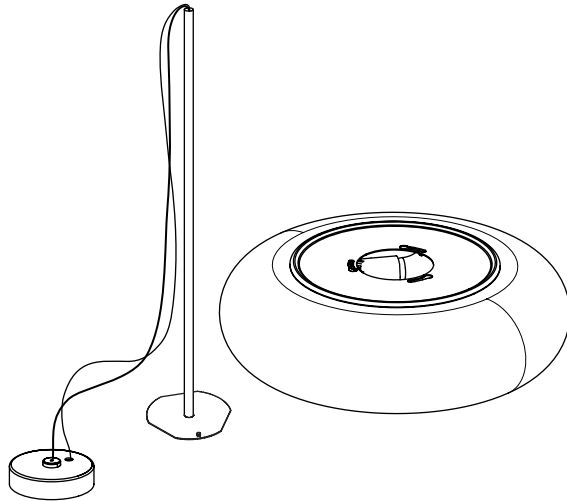
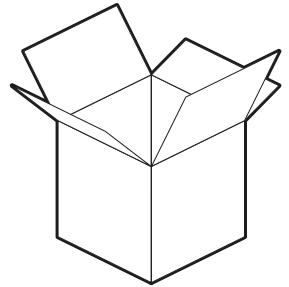
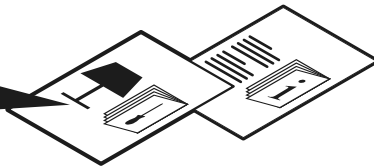


Fig. 1

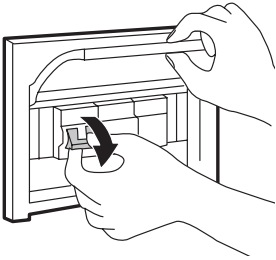
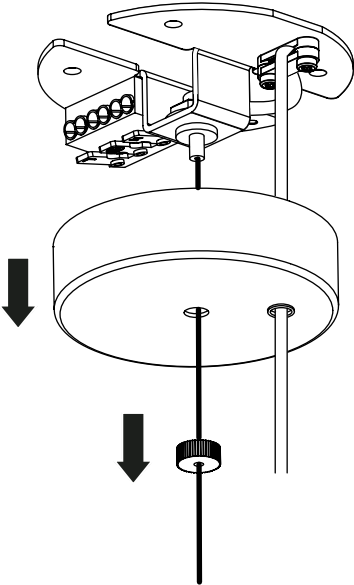


Fig. 2

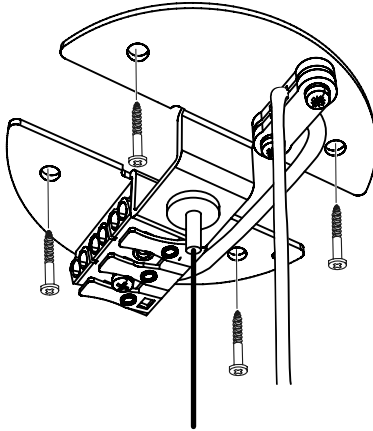


Fig. 3

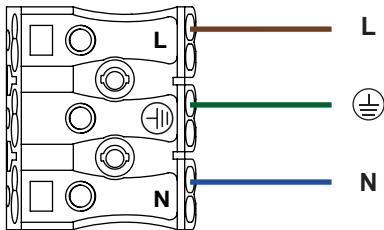


Fig. 4

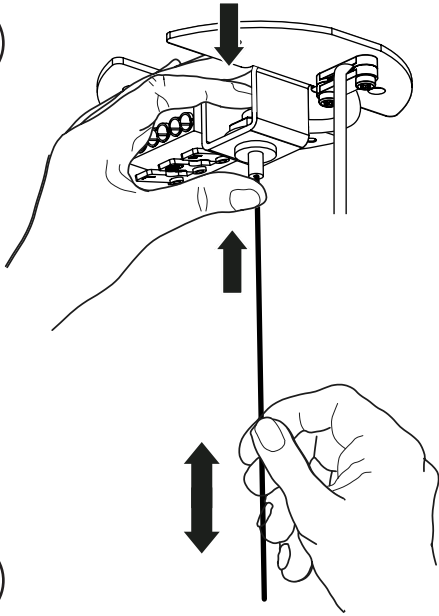


Fig. 5

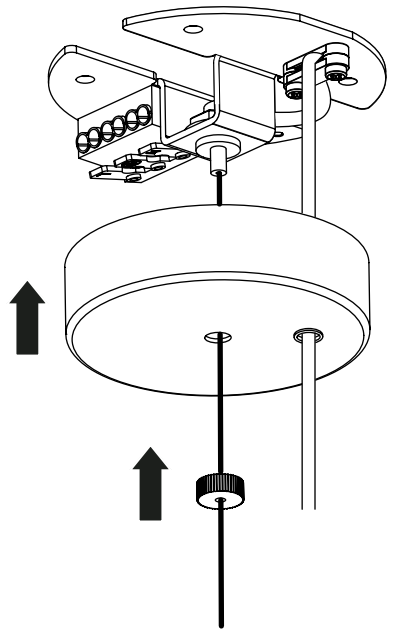


Fig. 6

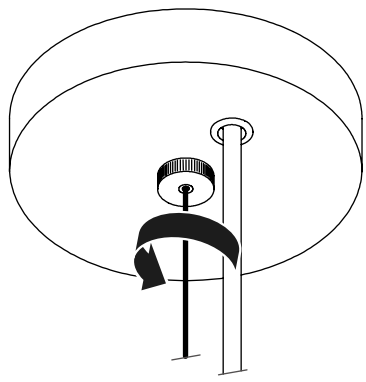
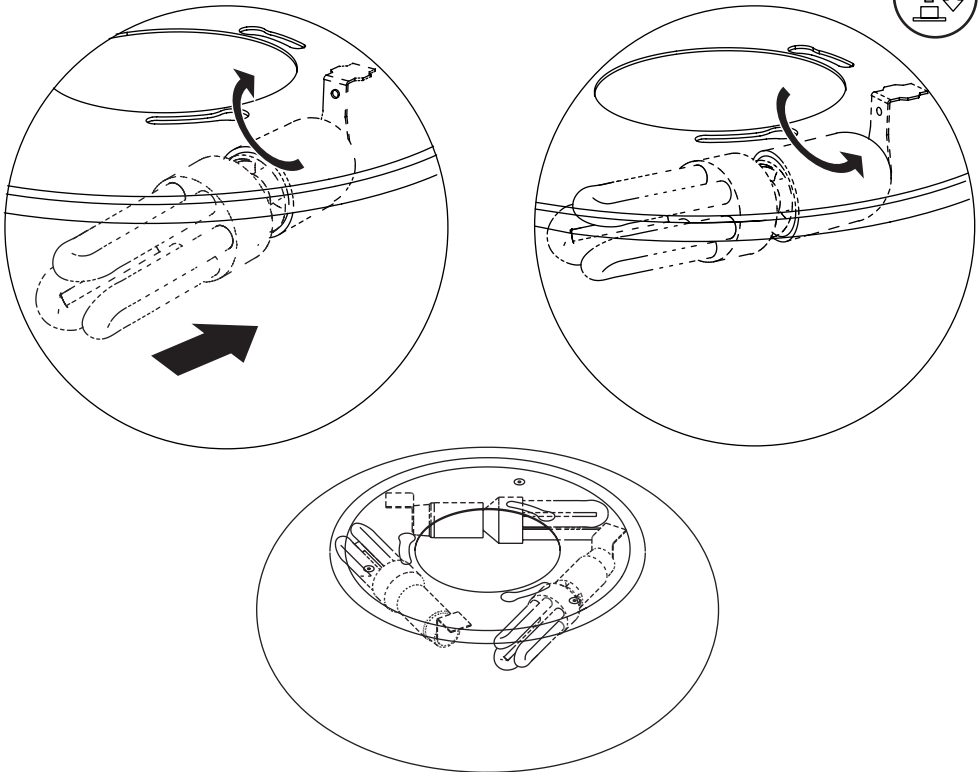


Fig. 7



<b>220 - 240 V / 50 - 60 Hz</b>	
<b>MAX 22W (E27)</b>	
Fluo: FBT	1300 lm
LED: DRAA	1000 lm

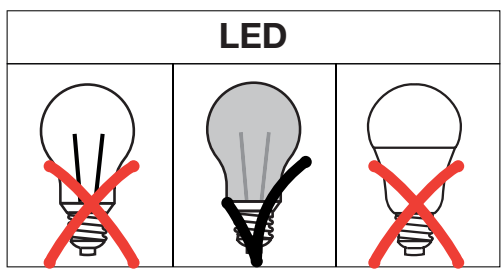


Fig. 8

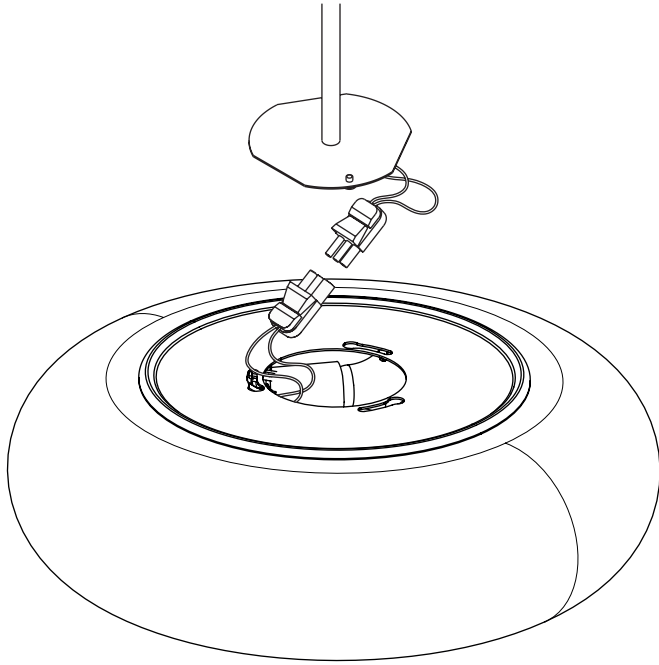


Fig. 9

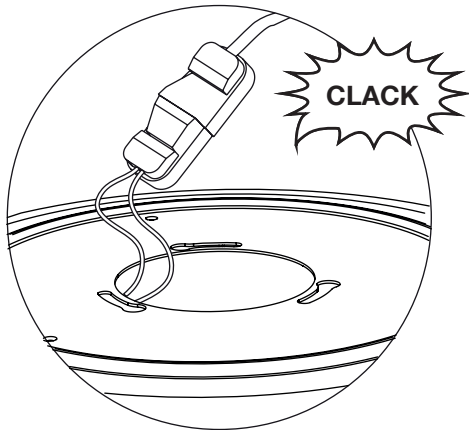


Fig. 10

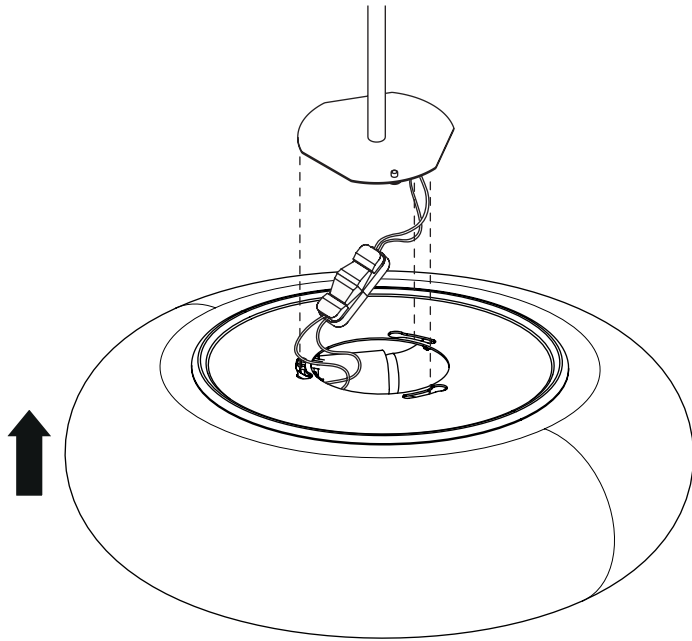


Fig. 11

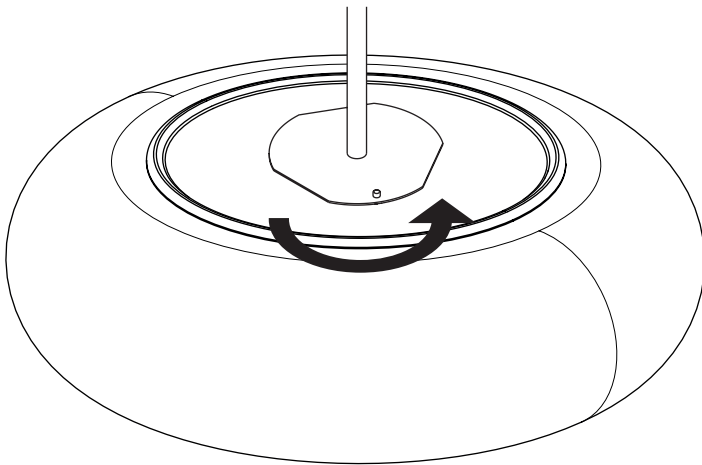
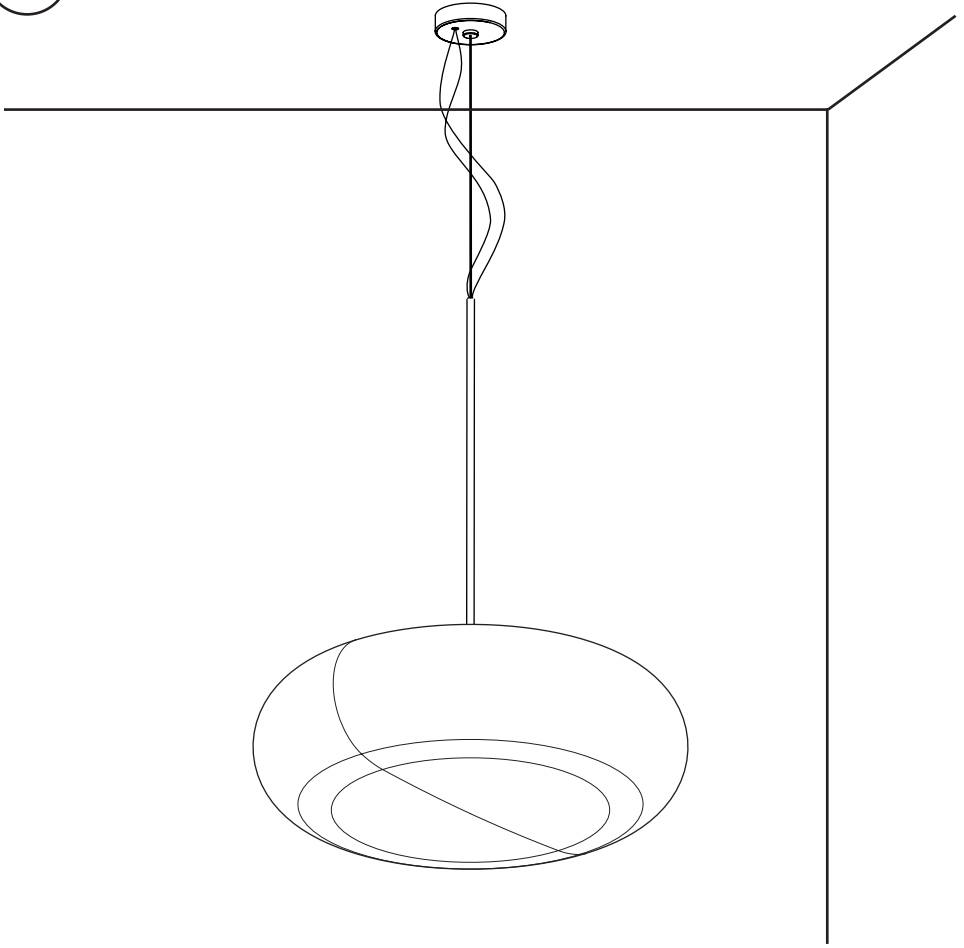


Fig. 12











## DANESE

---

VIA ANTONIO CANOVA 34

---

20145 MILANO

---

T. +39.02.349611

F. +39.02.34538211

info@danese milano.com

www.danese milano.com

## SHOWROOM

---

PIAZZA SAN NAZARO IN BROLO 15

---

20122 MILANO

---

T. +39.02.58304150

F. +39.02.58433350

showroomdanese@artemide.com

# DANESE



# MILANO | Artemide®

VIA BERGAMO 18

---

20010 PREGNANA MILANESE (MI) ITALY

---

T. +39.02.935181 - 935261

Numero Verde 800 834 093 (from Italy only)

© JULY 2016 DANESE

---

DANESE reserves the right to change, at any time and without prior warning, the technical specification of any product illustrated in this instruction.

cod. Y513000619