


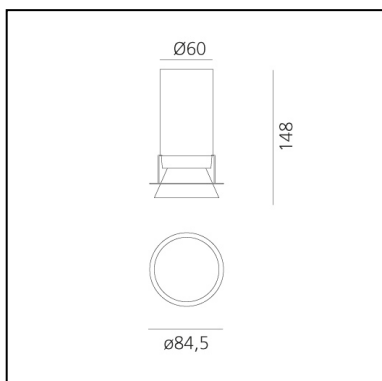


# Hoy Spot - Recessed - 13° - 2700K

Foster + Partners Industrial Design



IP20   



## LUMINAIRE

- Watt: **19W**
- Voltage: **220-240V**
- Delivered lumen output: **2053lm**
- CCT: **2700K**
- Efficiency: **91%**
- Efficacy: **108.05lm/W**
- CRI: **90**

## Notes

Driver supplied separately.  
Fitting to be completed with installation frame.

## DESCRIPTION

Hoy is a system of adjustable spotlights with a basic shape, yet a rich performance. A simple cylinder protrudes from the surface with varying heights for the different versions (recessed, semi-recessed, SMD, track).

Its volume is divided to direct emission in space, the mobile part hosts to the source and the optical devices required to produce four different beam angles (13°, 24°, 48°, 68°).

## FEATURES

- Product Code: **BM03000**
- Installation: **Recessed**
- Series: **Architectural Indoor**
- Environment: **Indoor**
- design by: **Foster + Partners Industrial Design**

## DIMENSIONS

- Diameter: **85 mm**
- Cutout diameter: **95 mm**
- Recessed depth: **148 mm**
- Cutout shape: **Rounded**

## SOURCES INCLUDED

- Category: **Led**
- Number: **1**
- Watt: **19W**
- Color Tolerance: **MacAdam 3SDCM**
- Service Life: **L70 (6K) 50000h**

**Accessories**

NO  
IMAGE  
AVAILABLE

Driver cc 32-36W - 700mA - 220-240 Vac -  
103x67x21 (LxWxH) - Dimmable DALI M079200

NO  
IMAGE  
AVAILABLE

DRIVER cc 32-36W - 700mA - 220-240 - 103x67x21  
(LxWxH) - Dimmable PUSH/1-10V M079300



Driver 15-32W 350-725mA - 220-24Vac -  
146,5x43,5x22 mm (LxWxH) - Undimmable  
dv1030

NO  
IMAGE  
AVAILABLE

Driver 23W 550mA - 220-24Vac - 146,5x43,5x22  
mm (LxWxH) - APP Dimmable DV1062APP



Trimless Frame BM05000



Trim Frame - 105mm - White BM05101



Trim Frame - 105mm - Black BM05104

# Hoy Spot - Recessed - 13° - 3000K

Foster + Partners Industrial Design



## FEATURES

- Product Code: **BM03100**
- Installation: **Recessed**
- Series: **Architectural Indoor**
- Environment: **Indoor**
- design by: **Foster + Partners Industrial Design**

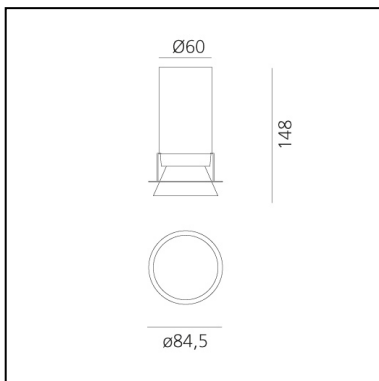
## DIMENSIONS

- Diameter: **85 mm**
- Cutout diameter: **95 mm**
- Recessed depth: **148 mm**
- Cutout shape: **Rounded**

## SOURCES INCLUDED

- Category: **Led**
- Number: **1**
- Watt: **19W**
- Color Tolerance: **MacAdam 3SDCM**
- Service Life: **L70 (6K) 50000h**

IP20   



## LUMINAIRE

- Watt: **19W**
- Voltage: **220-240V**
- Delivered lumen output: **2053lm**
- CCT: **3000K**
- Efficiency: **91%**
- Efficacy: **108.05lm/W**
- CRI: **90**

## Notes

Driver supplied separately.  
Fitting to be completed with installation frame.

**Accessories**

NO  
IMAGE  
AVAILABLE

Driver cc 32-36W - 700mA - 220-240 Vac -  
103x67x21 (LxWxH) - Dimmable DALI M079200

NO  
IMAGE  
AVAILABLE

DRIVER cc 32-36W - 700mA - 220-240 - 103x67x21  
(LxWxH) - Dimmable PUSH/1-10V M079300



Driver 15-32W 350-725mA - 220-24Vac -  
146,5x43,5x22 mm (LxWxH) - Undimmable  
dv1030

NO  
IMAGE  
AVAILABLE

Driver 23W 550mA - 220-24Vac - 146,5x43,5x22  
mm (LxWxH) - APP Dimmable DV1062APP



Trimless Frame BM05000



Trim Frame - 105mm - White BM05101



Trim Frame - 105mm - Black BM05104

# Hoy Spot - Recessed - 13° - 4000K

Foster + Partners Industrial Design



## FEATURES

- Product Code: **BM03200**
- Installation: **Recessed**
- Series: **Architectural Indoor**
- Environment: **Indoor**
- design by: **Foster + Partners Industrial Design**

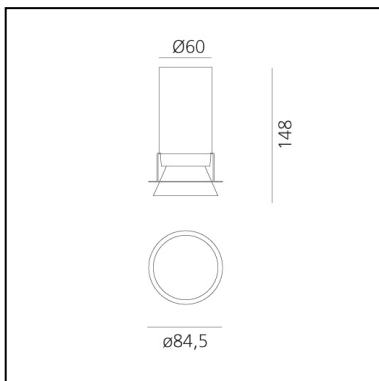
## DIMENSIONS

- Diameter: **85 mm**
- Cutout diameter: **95 mm**
- Recessed depth: **148 mm**
- Cutout shape: **Rounded**

## SOURCES INCLUDED

- Category: **Led**
- Number: **1**
- Watt: **19W**
- Color Tolerance: **MacAdam 3SDCM**
- Service Life: **L70 (6K) 50000h**

IP20   



## LUMINAIRE

- Watt: **19W**
- Voltage: **220-240V**
- Delivered lumen output: **2362lm**
- CCT: **4000K**
- Efficiency: **91%**
- Efficacy: **124.30lm/W**
- CRI: **90**

## Notes

Driver supplied separately.  
Fitting to be completed with installation frame.

**Accessories**

NO  
IMAGE  
AVAILABLE

Driver cc 32-36W - 700mA - 220-240 Vac -  
103x67x21 (LxWxH) - Dimmable DALI M079200

NO  
IMAGE  
AVAILABLE

DRIVER cc 32-36W - 700mA - 220-240 - 103x67x21  
(LxWxH) - Dimmable PUSH/1-10V M079300



Driver 15-32W 350-725mA - 220-24Vac -  
146,5x43,5x22 mm (LxWxH) - Undimmable  
dv1030

NO  
IMAGE  
AVAILABLE

Driver 23W 550mA - 220-24Vac - 146,5x43,5x22  
mm (LxWxH) - APP Dimmable DV1062APP



Trimless Frame BM05000



Trim Frame - 105mm - White BM05101




Trim Frame - 105mm - Black BM05104

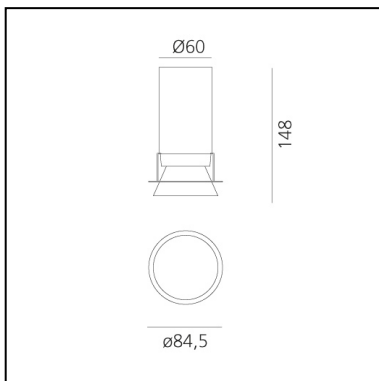
# Hoy Spot - Recessed - 24° - 2700K

Foster + Partners Industrial  
Design



## DESCRIPTION

IP20   



## LUMINAIRE

- Watt: **19W**
- Voltage: **220-240V**
- Delivered lumen output: **1771lm**
- CCT: **2700K**
- Efficiency: **78%**
- Efficacy: **93.19lm/W**
- CRI: **90**

## Notes

Driver supplied separately.  
Fitting to be completed with installation frame.

## FEATURES

- Product Code: **BM03300**
- Installation: **Recessed**
- Series: **Architectural Indoor**
- Environment: **Indoor**
- design by: **Foster + Partners Industrial Design**

## DIMENSIONS

- Diameter: **85 mm**
- Cutout diameter: **95 mm**
- Recessed depth: **148 mm**
- Cutout shape: **Rounded**

## SOURCES INCLUDED

- Category: **Led**
- Number: **1**
- Watt: **19W**
- Color Tolerance: **MacAdam 3SDCM**
- Service Life: **L70 (6K) 50000h**

**Accessories**

NO  
IMAGE  
AVAILABLE

Driver cc 32-36W - 700mA - 220-240 Vac -  
103x67x21 (LxWxH) - Dimmable DALI M079200

NO  
IMAGE  
AVAILABLE

DRIVER cc 32-36W - 700mA - 220-240 - 103x67x21  
(LxWxH) - Dimmable PUSH/1-10V M079300



Driver 15-32W 350-725mA - 220-24Vac -  
146,5x43,5x22 mm (LxWxH) - Undimmable  
dv1030

NO  
IMAGE  
AVAILABLE

Driver 23W 550mA - 220-24Vac - 146,5x43,5x22  
mm (LxWxH) - APP Dimmable DV1062APP



Trimless Frame BM05000



Trim Frame - 105mm - White BM05101



Trim Frame - 105mm - Black BM05104



# Hoy Spot - Recessed - 24° - 3000K

Foster + Partners Industrial Design



## FEATURES

- Product Code: **BM03400**
- Installation: **Recessed**
- Series: **Architectural Indoor**
- Environment: **Indoor**
- design by: **Foster + Partners Industrial Design**

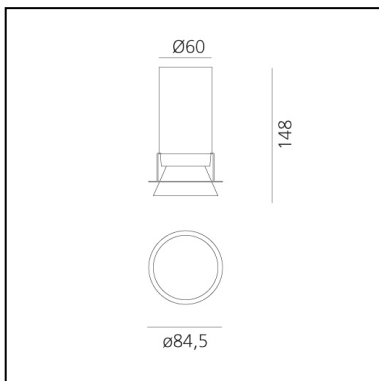
## DIMENSIONS

- Diameter: **85 mm**
- Cutout diameter: **95 mm**
- Recessed depth: **148 mm**
- Cutout shape: **Rounded**

## SOURCES INCLUDED

- Category: **Led**
- Number: **1**
- Watt: **19W**
- Color Tolerance: **MacAdam 3SDCM**
- Service Life: **L70 (6K) 50000h**

IP20   



## LUMINAIRE

- Watt: **19W**
- Voltage: **220-240V**
- Delivered lumen output: **1896lm**
- CCT: **3000K**
- Efficiency: **78%**
- Efficacy: **99.78lm/W**
- CRI: **90**

## Notes

Driver supplied separately.  
Fitting to be completed with installation frame.

**Accessories**

NO  
IMAGE  
AVAILABLE

Driver cc 32-36W - 700mA - 220-240 Vac -  
103x67x21 (LxWxH) - Dimmable DALI M079200

NO  
IMAGE  
AVAILABLE

DRIVER cc 32-36W - 700mA - 220-240 - 103x67x21  
(LxWxH) - Dimmable PUSH/1-10V M079300



Driver 15-32W 350-725mA - 220-24Vac -  
146,5x43,5x22 mm (LxWxH) - Undimmable  
dv1030

NO  
IMAGE  
AVAILABLE

Driver 23W 550mA - 220-24Vac - 146,5x43,5x22  
mm (LxWxH) - APP Dimmable DV1062APP



Trimless Frame BM05000



Trim Frame - 105mm - White BM05101



Trim Frame - 105mm - Black BM05104

# Hoy Spot - Recessed - 24° - 4000K

Foster + Partners Industrial Design



## FEATURES




- Product Code: **BM03500**
- Installation: **Recessed**
- Series: **Architectural Indoor**
- Environment: **Indoor**
- design by: **Foster + Partners Industrial Design**

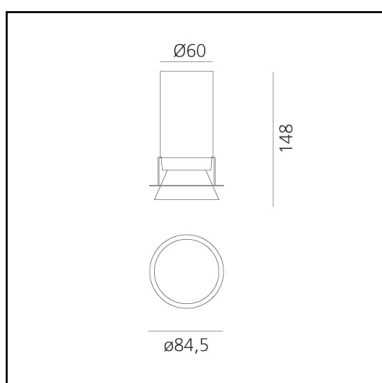
## DIMENSIONS

- Diameter: **85 mm**
- Cutout diameter: **95 mm**
- Recessed depth: **148 mm**
- Cutout shape: **Rounded**

## SOURCES INCLUDED

- Category: **Led**
- Number: **1**
- Watt: **19W**
- Color Tolerance: **MacAdam 3SDCM**
- Service Life: **L70 (6K) 50000h**

IP20   



## LUMINAIRE

- Watt: **19W**
- Voltage: **220-240V**
- Delivered lumen output: **2037lm**
- CCT: **4000K**
- Efficiency: **78%**
- Efficacy: **107.21lm/W**
- CRI: **90**

## Notes

Driver supplied separately.  
Fitting to be completed with installation frame.

**Accessories**

NO  
IMAGE  
AVAILABLE

Driver cc 32-36W - 700mA - 220-240 Vac -  
103x67x21 (LxWxH) - Dimmable DALI M079200

NO  
IMAGE  
AVAILABLE

DRIVER cc 32-36W - 700mA - 220-240 - 103x67x21  
(LxWxH) - Dimmable PUSH/1-10V M079300



Driver 15-32W 350-725mA - 220-24Vac -  
146,5x43,5x22 mm (LxWxH) - Undimmable  
dv1030

NO  
IMAGE  
AVAILABLE

Driver 23W 550mA - 220-24Vac - 146,5x43,5x22  
mm (LxWxH) - APP Dimmable DV1062APP



Trimless Frame BM05000



Trim Frame - 105mm - White BM05101



Trim Frame - 105mm - Black BM05104

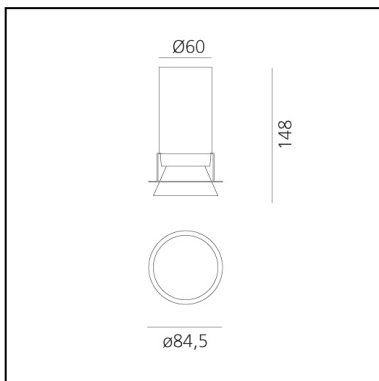
# Hoy Spot - Recessed - 48° - 2700K

Foster + Partners Industrial  
Design



## DESCRIPTION

IP20   



## LUMINAIRE

- Watt: **19W**
- Voltage: **220-240V**
- Delivered lumen output: **1915lm**
- CCT: **2700K**
- Efficiency: **85%**
- Efficacy: **100.77lm/W**
- CRI: **90**

## Notes

Driver supplied separately.  
Fitting to be completed with installation frame.

## FEATURES

- Product Code: **BM03600**
- Installation: **Recessed**
- Series: **Architectural Indoor**
- Environment: **Indoor**
- design by: **Foster + Partners Industrial Design**

## DIMENSIONS

- Diameter: **85 mm**
- Cutout diameter: **95 mm**
- Recessed depth: **148 mm**
- Cutout shape: **Rounded**

## SOURCES INCLUDED

- Category: **Led**
- Number: **1**
- Watt: **19W**
- Color Tolerance: **MacAdam 3SDCM**
- Service Life: **L70 (6K) 50000h**

**Accessories**

NO  
IMAGE  
AVAILABLE

Driver cc 32-36W - 700mA - 220-240 Vac -  
103x67x21 (LxWxH) - Dimmable DALI M079200

NO  
IMAGE  
AVAILABLE

DRIVER cc 32-36W - 700mA - 220-240 - 103x67x21  
(LxWxH) - Dimmable PUSH/1-10V M079300



Driver 15-32W 350-725mA - 220-24Vac -  
146,5x43,5x22 mm (LxWxH) - Undimmable  
dv1030

NO  
IMAGE  
AVAILABLE

Driver 23W 550mA - 220-24Vac - 146,5x43,5x22  
mm (LxWxH) - APP Dimmable DV1062APP



Trimless Frame BM05000



Trim Frame - 105mm - White BM05101



Trim Frame - 105mm - Black BM05104

# Hoy Spot - Recessed - 48° - 3000K

Foster + Partners Industrial Design



## FEATURES

- Product Code: **BM03700**
- Installation: **Recessed**
- Series: **Architectural Indoor**
- Environment: **Indoor**
- design by: **Foster + Partners Industrial Design**

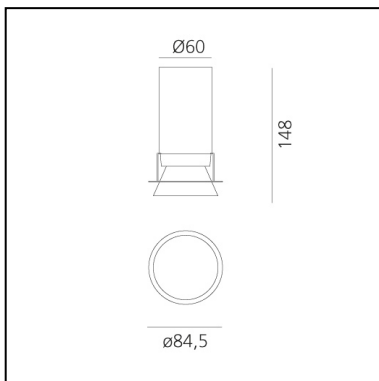
## DIMENSIONS

- Diameter: **85 mm**
- Cutout diameter: **95 mm**
- Recessed depth: **148 mm**
- Cutout shape: **Rounded**

## SOURCES INCLUDED

- Category: **Led**
- Number: **1**
- Watt: **19W**
- Color Tolerance: **MacAdam 3SDCM**
- Service Life: **L70 (6K) 50000h**

IP20   



## LUMINAIRE

- Watt: **19W**
- Voltage: **220-240V**
- Delivered lumen output: **1915lm**
- CCT: **3000K**
- Efficiency: **85%**
- Efficacy: **100.77lm/W**
- CRI: **90**

## Notes

Driver supplied separately.  
Fitting to be completed with installation frame.

**Accessories**

NO  
IMAGE  
AVAILABLE

Driver cc 32-36W - 700mA - 220-240 Vac -  
103x67x21 (LxWxH) - Dimmable DALI M079200

NO  
IMAGE  
AVAILABLE

DRIVER cc 32-36W - 700mA - 220-240 - 103x67x21  
(LxWxH) - Dimmable PUSH/1-10V M079300



Driver 15-32W 350-725mA - 220-24Vac -  
146,5x43,5x22 mm (LxWxH) - Undimmable  
dv1030

NO  
IMAGE  
AVAILABLE

Driver 23W 550mA - 220-24Vac - 146,5x43,5x22  
mm (LxWxH) - APP Dimmable DV1062APP



Trimless Frame BM05000



Trim Frame - 105mm - White BM05101



Trim Frame - 105mm - Black BM05104



# Hoy Spot - Recessed - 48° - 4000K

Foster + Partners Industrial Design



## FEATURES




- Product Code: **BM03800**
- Installation: **Recessed**
- Series: **Architectural Indoor**
- Environment: **Indoor**
- design by: **Foster + Partners Industrial Design**

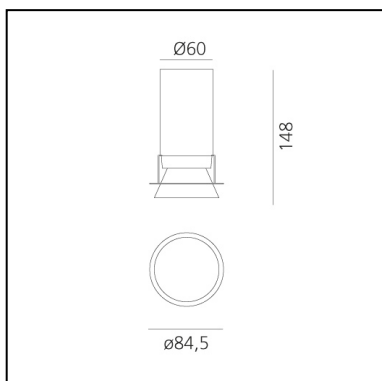
## DIMENSIONS

- Diameter: **85 mm**
- Cutout diameter: **95 mm**
- Recessed depth: **148 mm**
- Cutout shape: **Rounded**

## SOURCES INCLUDED

- Category: **Led**
- Number: **1**
- Watt: **19W**
- Color Tolerance: **MacAdam 3SDCM**
- Service Life: **L70 (6K) 50000h**

IP20   



## LUMINAIRE

- Watt: **19W**
- Voltage: **220-240V**
- Delivered lumen output: **2203lm**
- CCT: **4000K**
- Efficiency: **85%**
- Efficacy: **115.93lm/W**
- CRI: **90**

## Notes

Driver supplied separately.  
Fitting to be completed with installation frame.

**Accessories**

NO  
IMAGE  
AVAILABLE

Driver cc 32-36W - 700mA - 220-240 Vac -  
103x67x21 (LxWxH) - Dimmable DALI M079200

NO  
IMAGE  
AVAILABLE

DRIVER cc 32-36W - 700mA - 220-240 - 103x67x21  
(LxWxH) - Dimmable PUSH/1-10V M079300



Driver 15-32W 350-725mA - 220-24Vac -  
146,5x43,5x22 mm (LxWxH) - Undimmable  
dv1030

NO  
IMAGE  
AVAILABLE

Driver 23W 550mA - 220-24Vac - 146,5x43,5x22  
mm (LxWxH) - APP Dimmable DV1062APP



Trimless Frame BM05000



Trim Frame - 105mm - White BM05101



Trim Frame - 105mm - Black BM05104

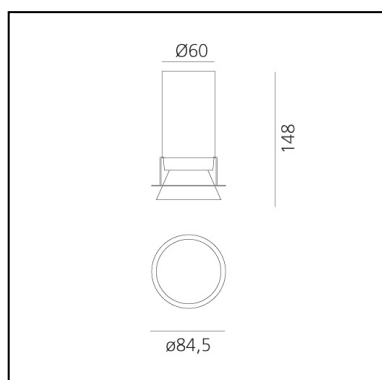
# Hoy Spot - Recessed - 68° - 2700K

Foster + Partners Industrial Design



## DESCRIPTION

IP20   



## LUMINAIRE

- Watt: **19W**
- Voltage: **220-240V**
- Delivered lumen output: **1796lm**
- CCT: **2700K**
- Efficiency: **79%**
- Efficacy: **94.51lm/W**
- CRI: **90**

## Notes

Driver supplied separately.  
Fitting to be completed with installation frame.

## FEATURES

- Product Code: **BM00900**
- Installation: **Recessed**
- Series: **Architectural Indoor**
- Environment: **Indoor**
- design by: **Foster + Partners Industrial Design**

## DIMENSIONS

- Diameter: **85 mm**
- Cutout diameter: **95 mm**
- Recessed depth: **148 mm**
- Cutout shape: **Rounded**

## SOURCES INCLUDED

- Category: **Led**
- Number: **1**
- Watt: **19W**
- Color Tolerance: **MacAdam 3SDCM**
- Service Life: **L70 (6K) 50000h**

**Accessories**

NO  
IMAGE  
AVAILABLE

Driver cc 32-36W - 700mA - 220-240 Vac -  
103x67x21 (LxWxH) - Dimmable DALI M079200

NO  
IMAGE  
AVAILABLE

DRIVER cc 32-36W - 700mA - 220-240 - 103x67x21  
(LxWxH) - Dimmable PUSH/1-10V M079300



Driver 15-32W 350-725mA - 220-24Vac -  
146,5x43,5x22 mm (LxWxH) - Undimmable  
dv1030

NO  
IMAGE  
AVAILABLE

Driver 23W 550mA - 220-24Vac - 146,5x43,5x22  
mm (LxWxH) - APP Dimmable DV1062APP



Trimless Frame BM05000



Trim Frame - 105mm - White BM05101



Trim Frame - 105mm - Black BM05104

# Hoy Spot - Recessed - 68° - 3000K

Foster + Partners Industrial Design



## FEATURES




- Product Code: **BM01000**
- Installation: **Recessed**
- Series: **Architectural Indoor**
- Environment: **Indoor**
- design by: **Foster + Partners Industrial Design**

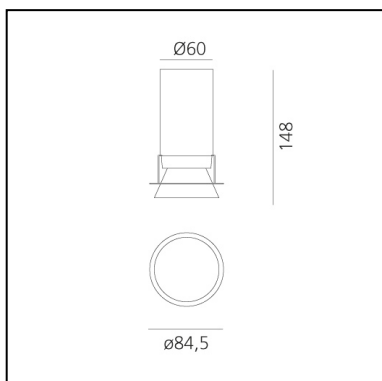
## DIMENSIONS

- Diameter: **85 mm**
- Cutout diameter: **95 mm**
- Recessed depth: **148 mm**
- Cutout shape: **Rounded**

## SOURCES INCLUDED

- Category: **Led**
- Number: **1**
- Watt: **19W**
- Color Tolerance: **MacAdam 3SDCM**
- Service Life: **L70 (6K) 50000h**

IP20   



## LUMINAIRE

- Watt: **19W**
- Voltage: **220-240V**
- Delivered lumen output: **1923lm**
- CCT: **3000K**
- Efficiency: **79%**
- Efficacy: **101.21lm/W**
- CRI: **90**

## Notes

Driver supplied separately.  
Fitting to be completed with installation frame.

**Accessories**

NO  
IMAGE  
AVAILABLE

Driver cc 32-36W - 700mA - 220-240 Vac -  
103x67x21 (LxWxH) - Dimmable DALI M079200

NO  
IMAGE  
AVAILABLE

DRIVER cc 32-36W - 700mA - 220-240 - 103x67x21  
(LxWxH) - Dimmable PUSH/1-10V M079300



Driver 15-32W 350-725mA - 220-24Vac -  
146,5x43,5x22 mm (LxWxH) - Undimmable  
dv1030

NO  
IMAGE  
AVAILABLE

Driver 23W 550mA - 220-24Vac - 146,5x43,5x22  
mm (LxWxH) - APP Dimmable DV1062APP



Trimless Frame BM05000



Trim Frame - 105mm - White BM05101



Trim Frame - 105mm - Black BM05104

# Hoy Spot - Recessed - 68° - 4000K

Foster + Partners Industrial Design



## FEATURES




- Product Code: **BM01100**
- Installation: **Recessed**
- Series: **Architectural Indoor**
- Environment: **Indoor**
- design by: **Foster + Partners Industrial Design**

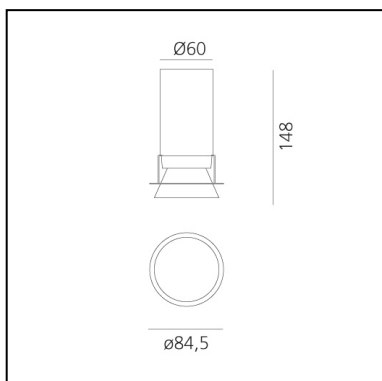
## DIMENSIONS

- Diameter: **85 mm**
- Cutout diameter: **95 mm**
- Recessed depth: **148 mm**
- Cutout shape: **Rounded**

## SOURCES INCLUDED

- Category: **Led**
- Number: **1**
- Watt: **19W**
- Color Tolerance: **MacAdam 3SDCM**
- Service Life: **L70 (6K) 50000h**

IP20   



## LUMINAIRE

- Watt: **19W**
- Voltage: **220-240V**
- Delivered lumen output: **2066lm**
- CCT: **4000K**
- Efficiency: **79%**
- Efficacy: **108.73lm/W**
- CRI: **90**

## Notes

Driver supplied separately.  
Fitting to be completed with installation frame.

**Accessories**

NO  
IMAGE  
AVAILABLE

Driver cc 32-36W - 700mA - 220-240 Vac -  
103x67x21 (LxWxH) - Dimmable DALI M079200

NO  
IMAGE  
AVAILABLE

DRIVER cc 32-36W - 700mA - 220-240 - 103x67x21  
(LxWxH) - Dimmable PUSH/1-10V M079300



Driver 15-32W 350-725mA - 220-24Vac -  
146,5x43,5x22 mm (LxWxH) - Undimmable  
dv1030

NO  
IMAGE  
AVAILABLE

Driver 23W 550mA - 220-24Vac - 146,5x43,5x22  
mm (LxWxH) - APP Dimmable DV1062APP



Trimless Frame BM05000



Trim Frame - 105mm - White BM05101



Trim Frame - 105mm - Black BM05104