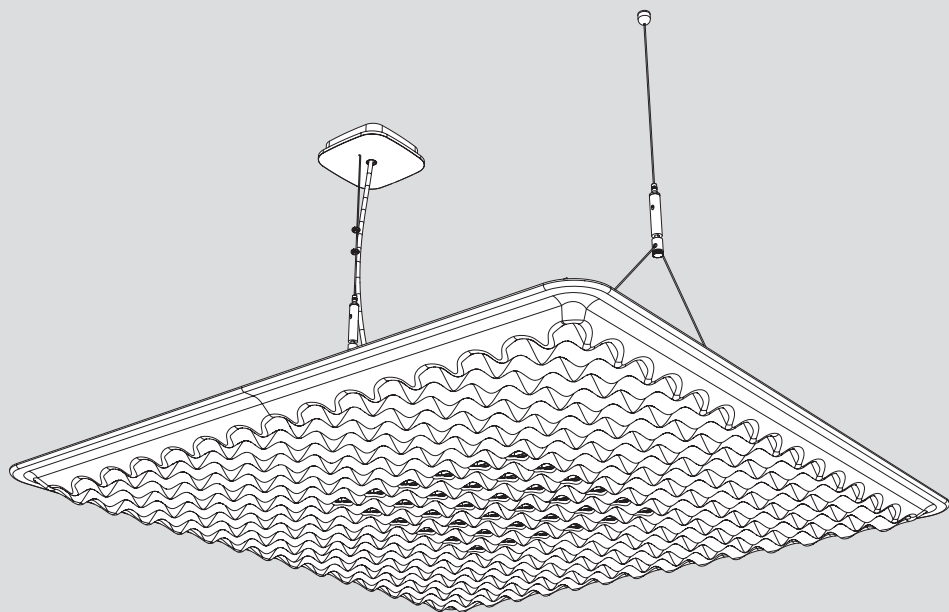


Eggboard matrix 800x800

design
Progetto CMR

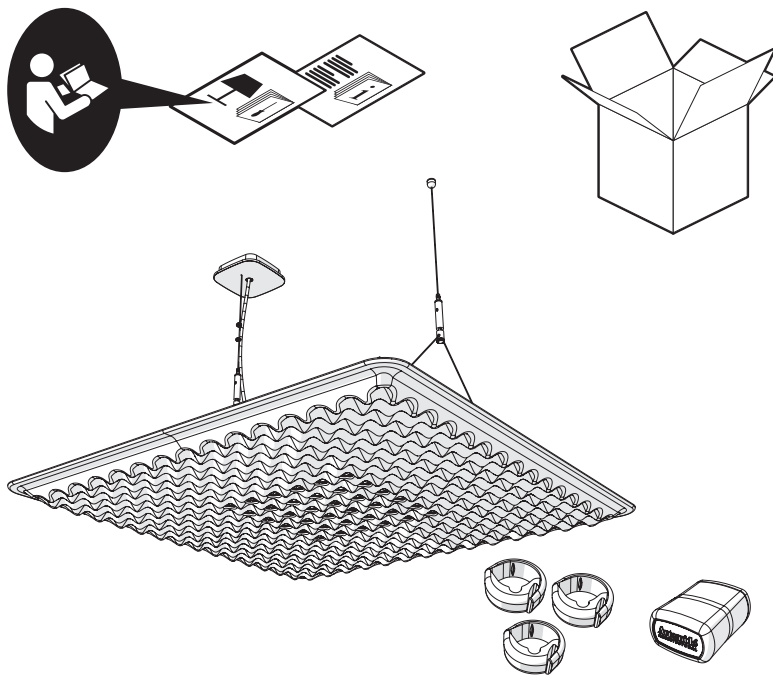
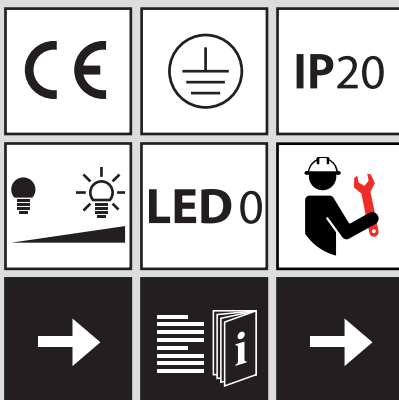


OUTDOOR

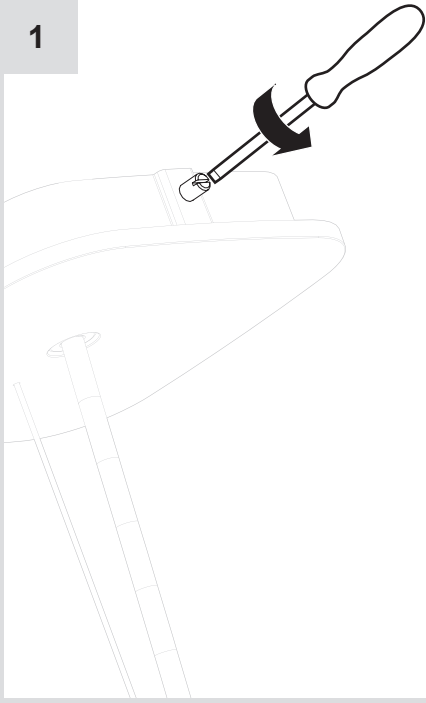




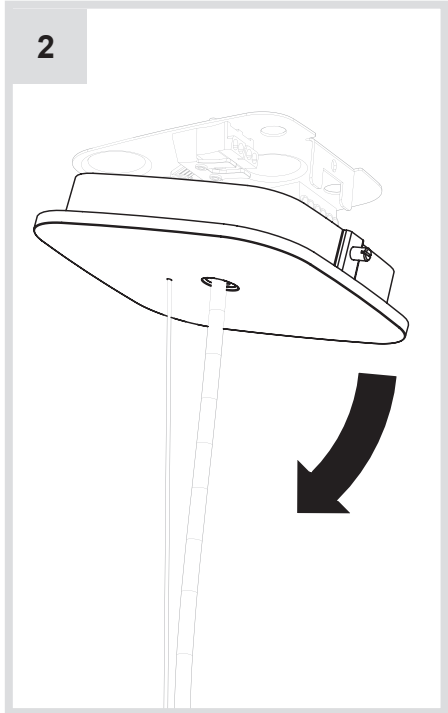
i



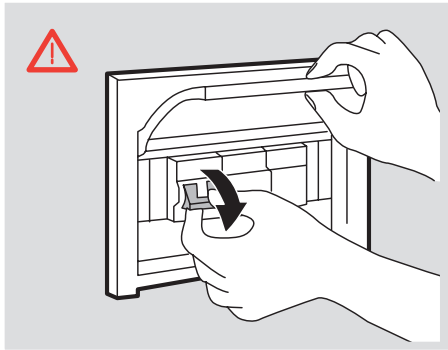
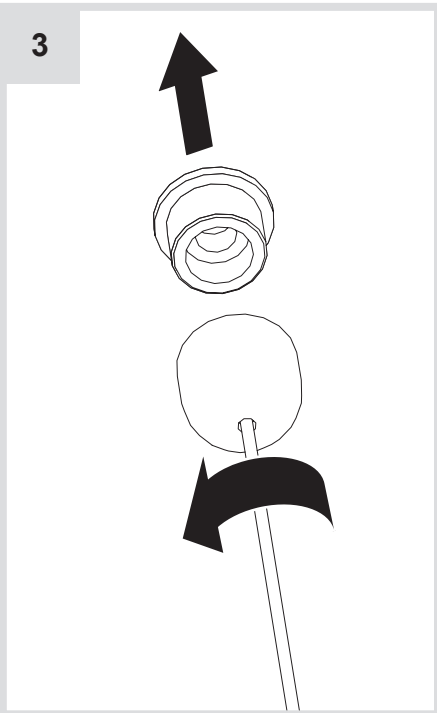
1



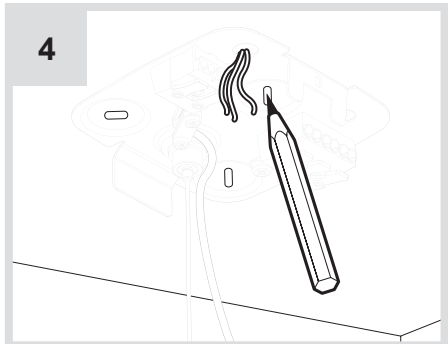
2

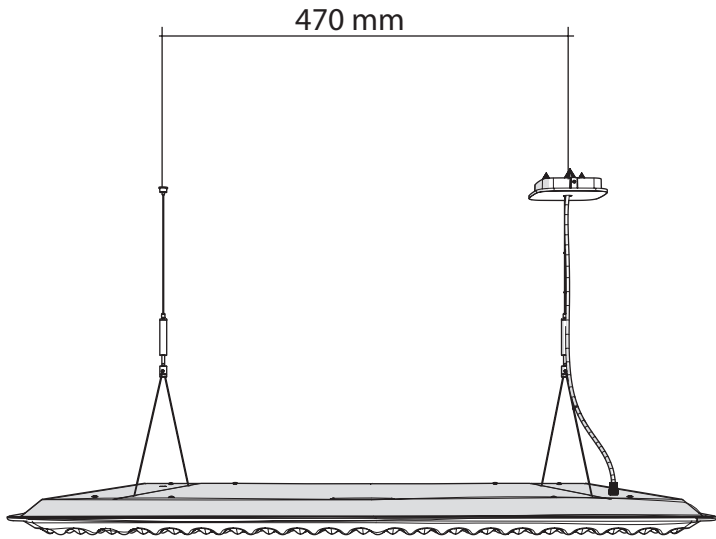
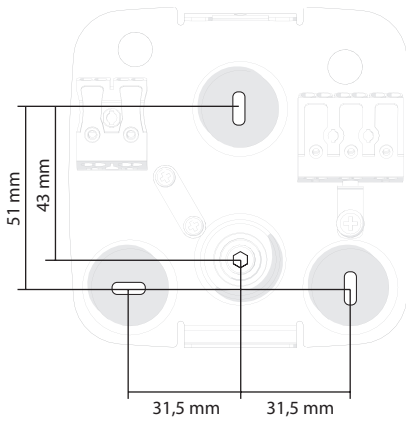
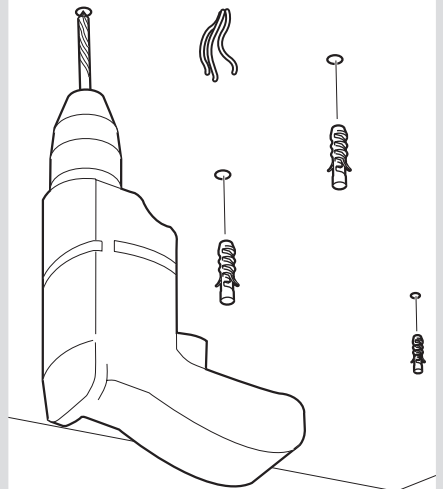


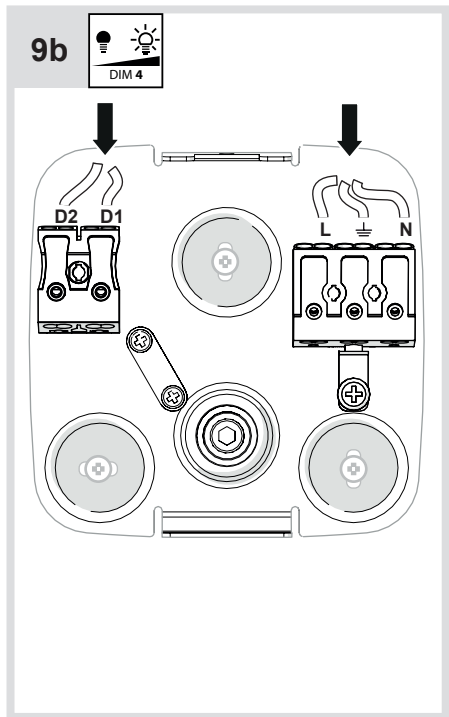
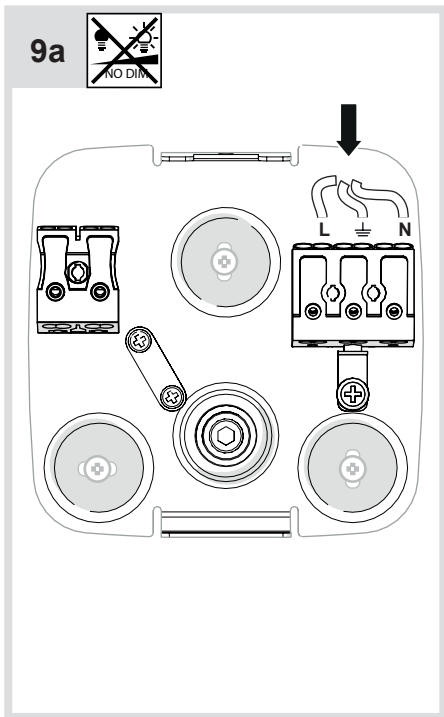
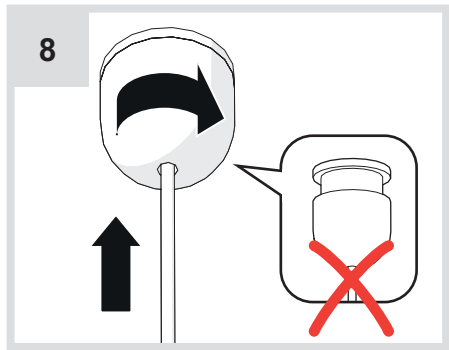
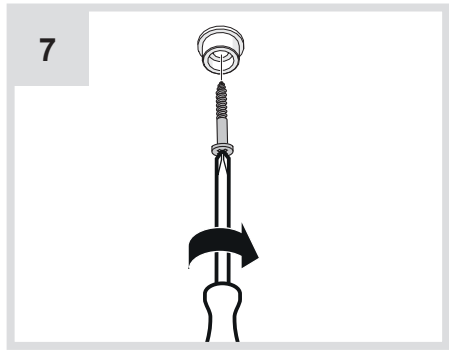
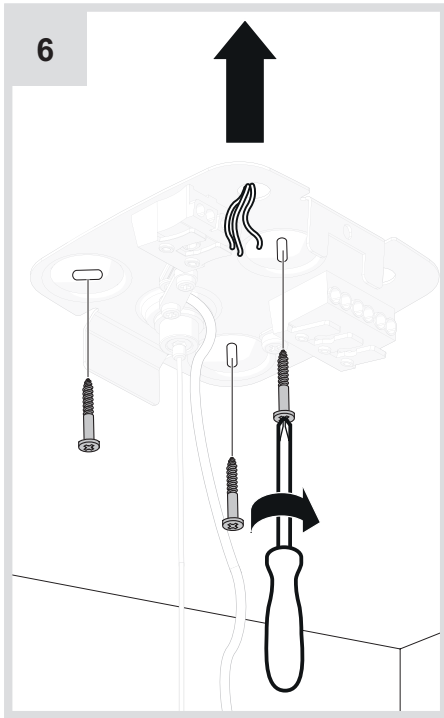
3



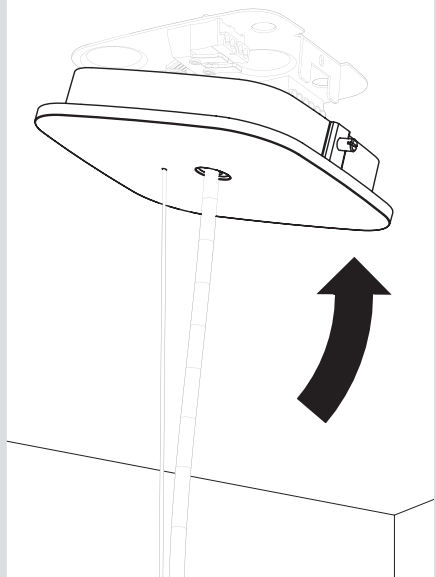
4



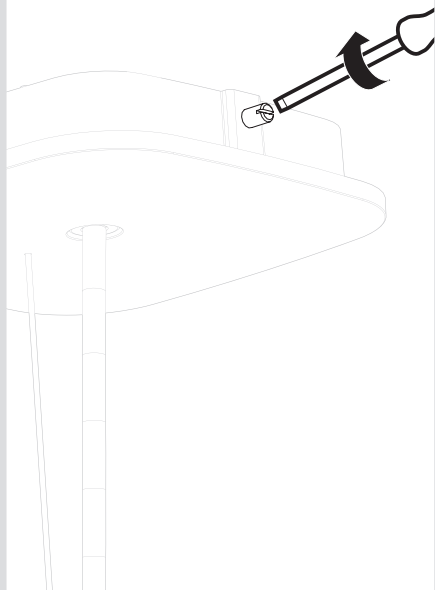
i**i****5**



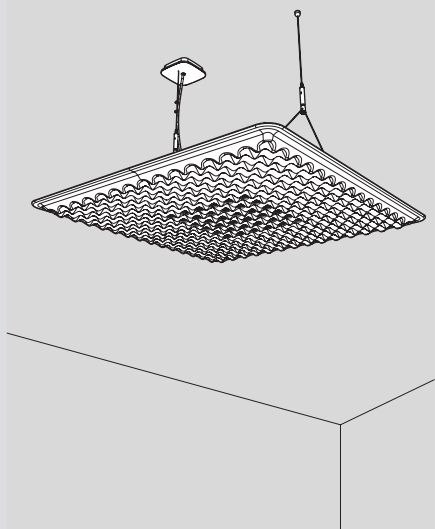
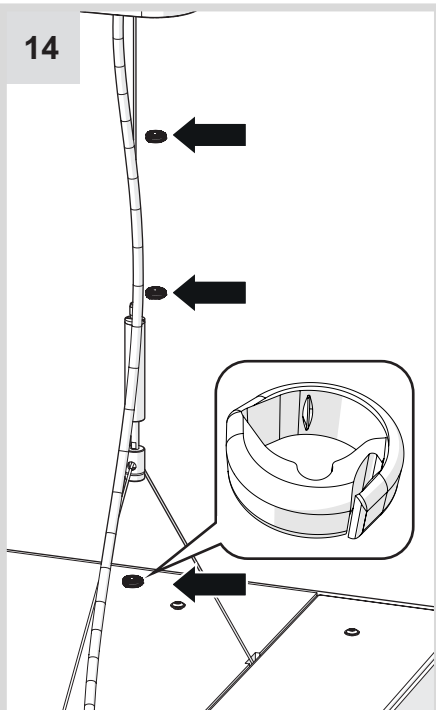
10



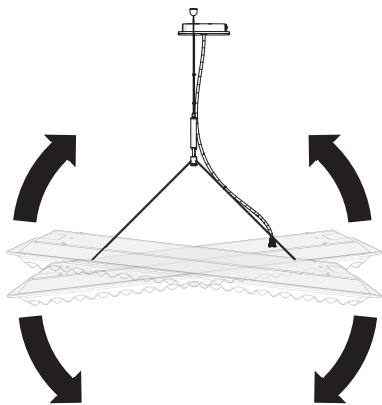
11



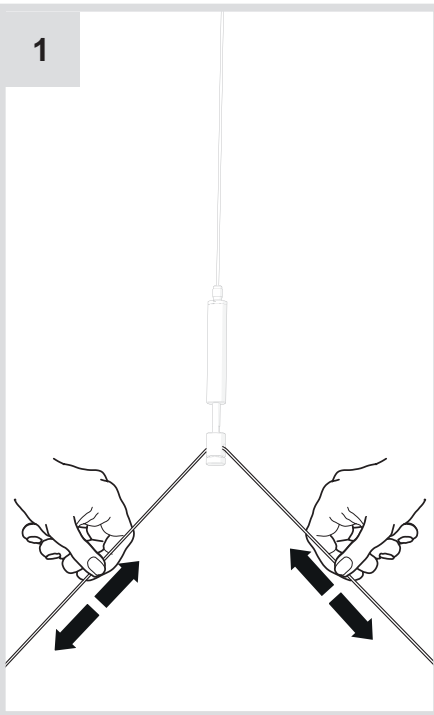
14



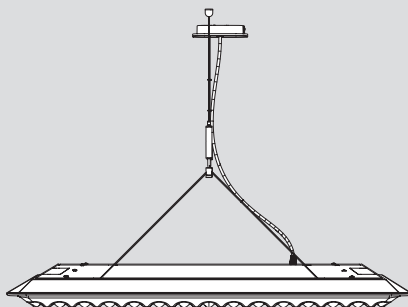
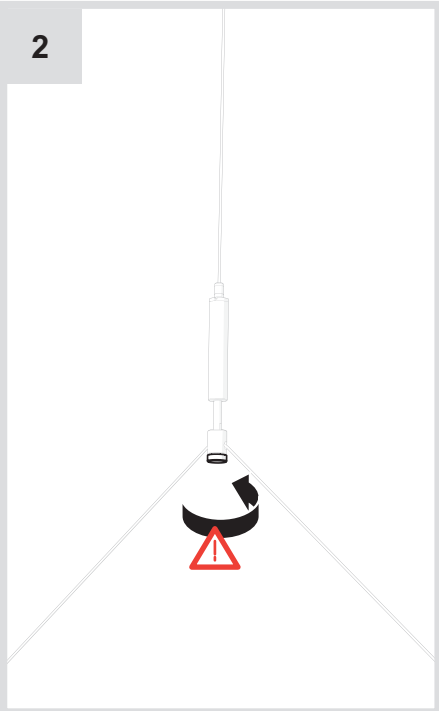
i



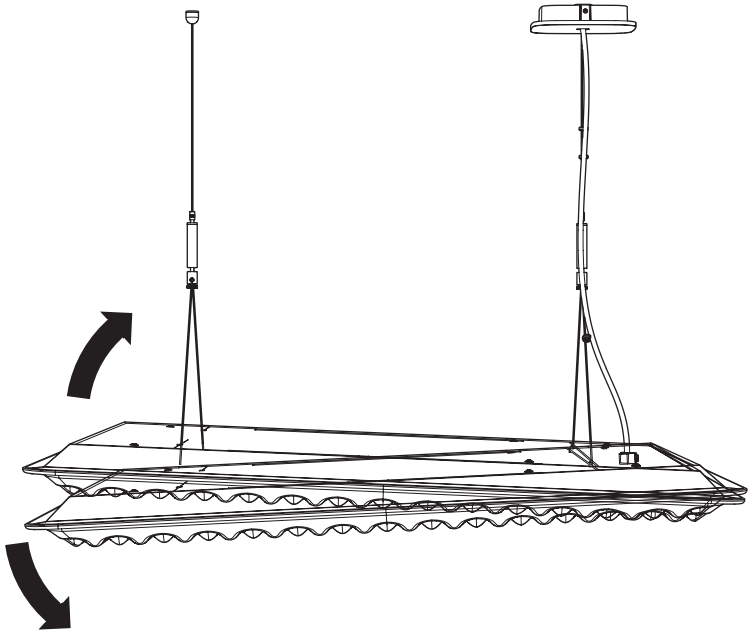
1



2



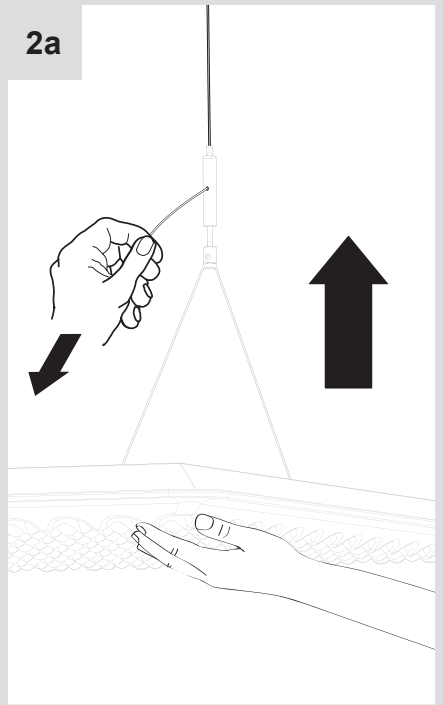
i



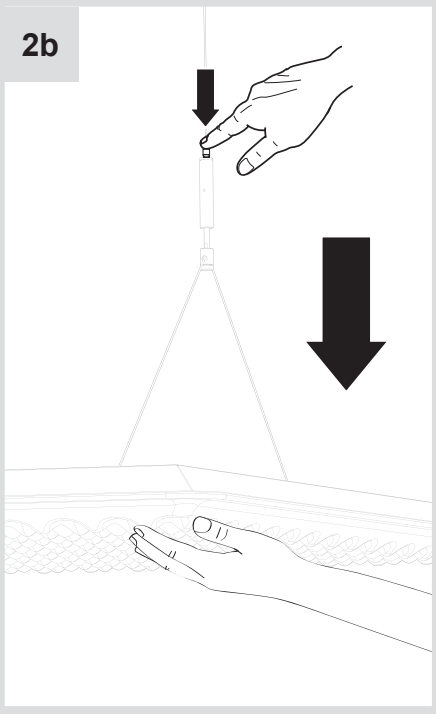
1



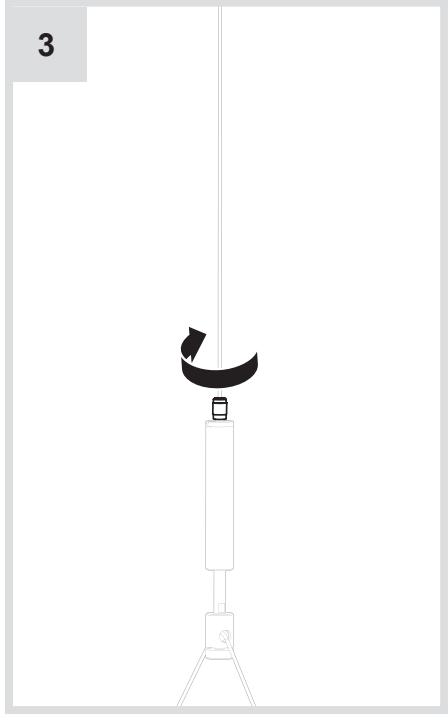
2a



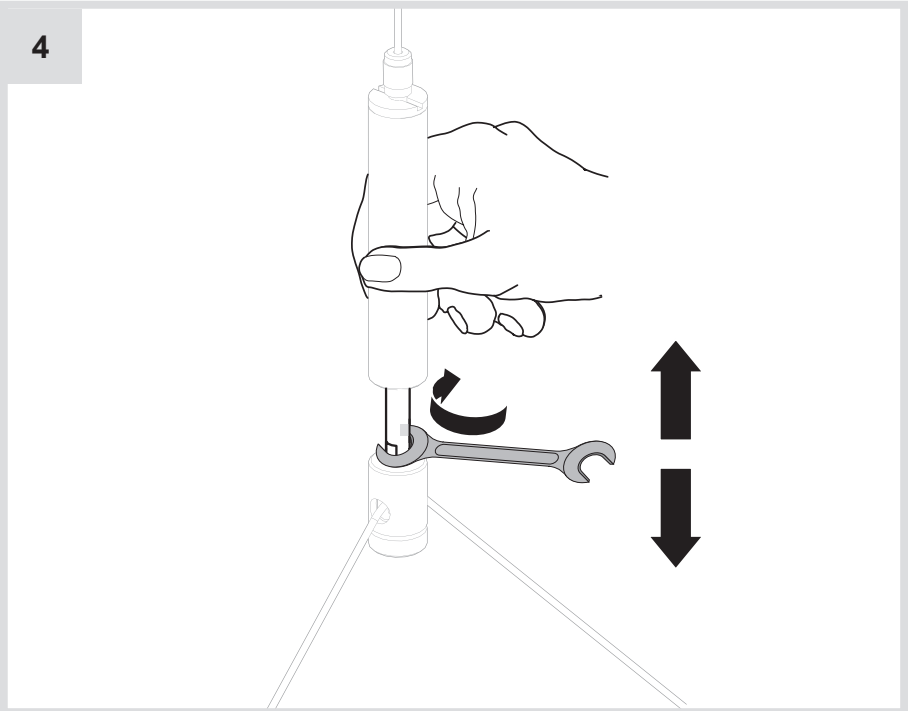
2b



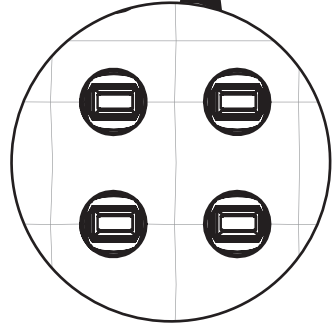
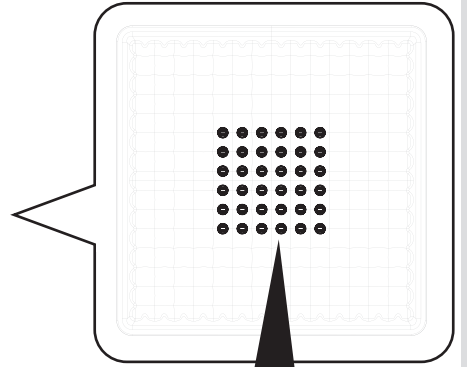
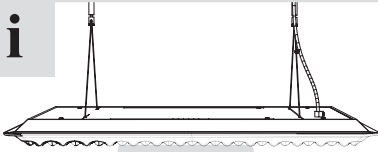
3



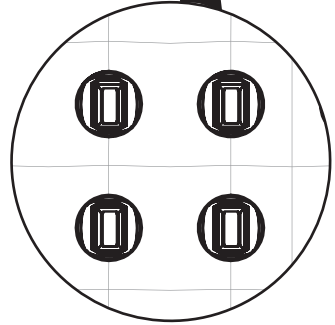
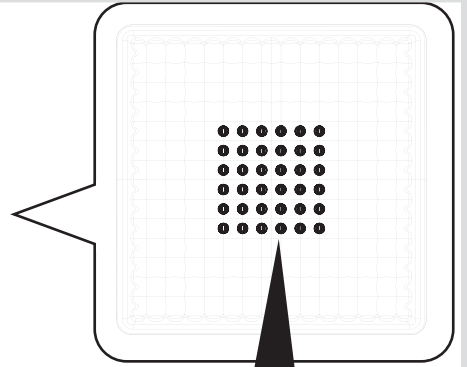
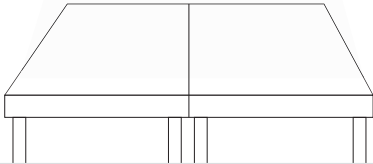
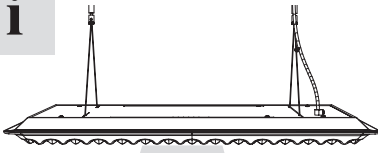
4

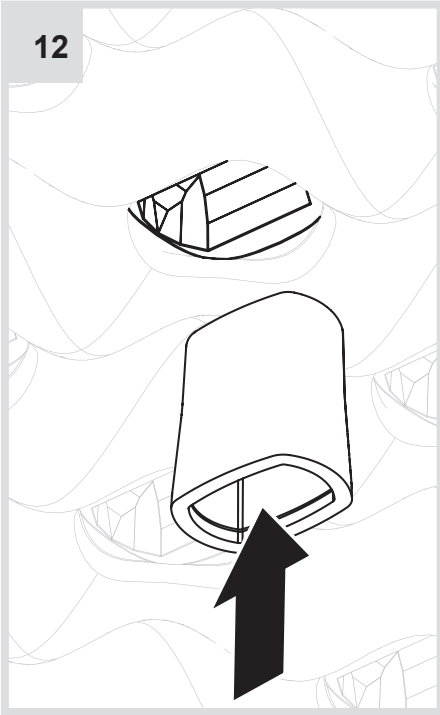


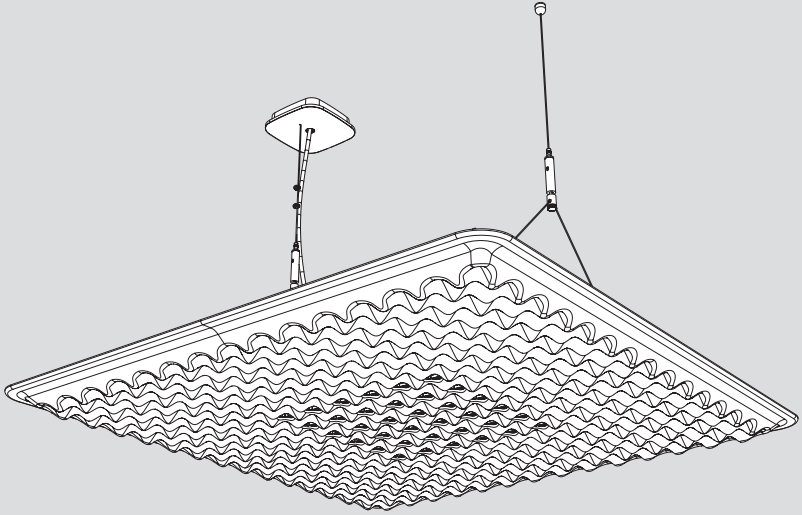
i

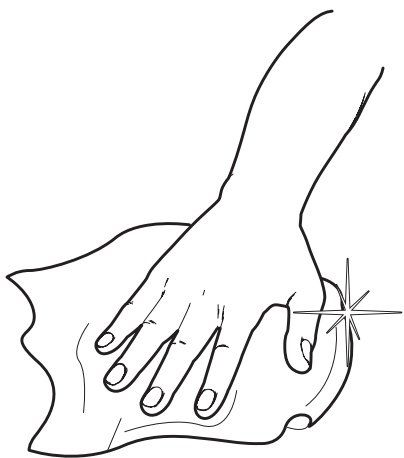


i









Artemide[®]
ARCHITECTURAL



Artemide

via Bergamo, 18
20010 Pregnana M.se (MI)
ITALIA

tel. +39 02 935 181
fax +39 02 935 90 254
fax +39 02 935 90 496

www.artemide.com

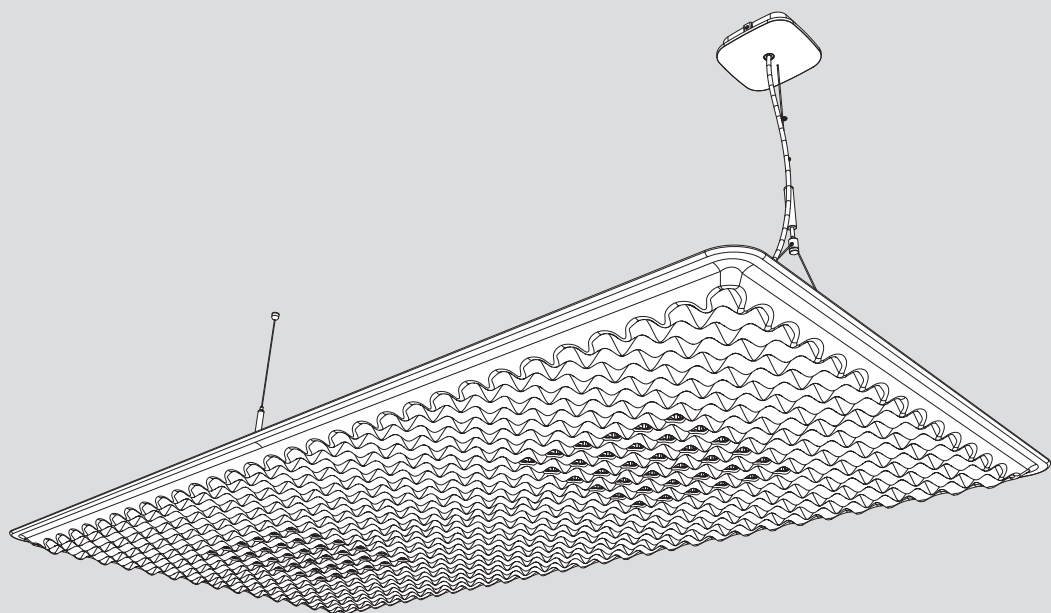
VAT IT00846890150

cod. Y513000437C

Artemide®

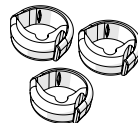
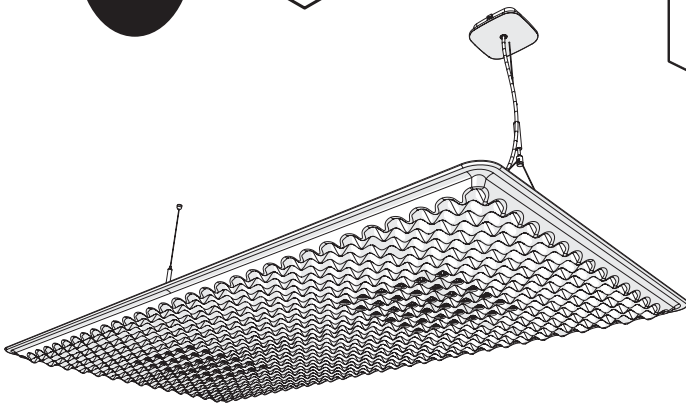
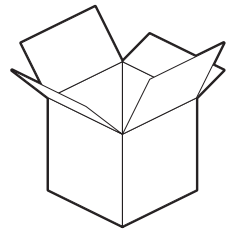
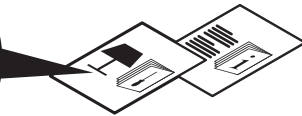
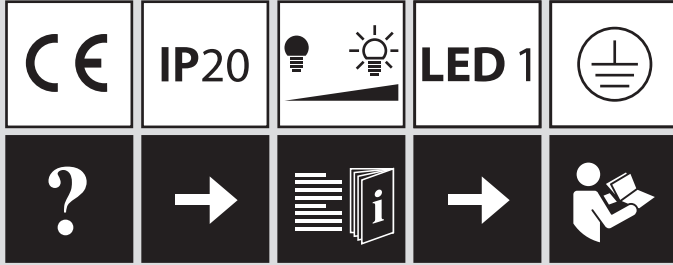
Eggboard matrix 1600x800

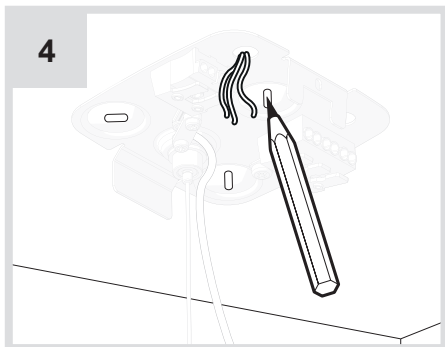
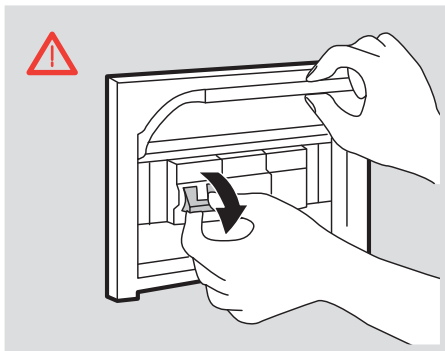
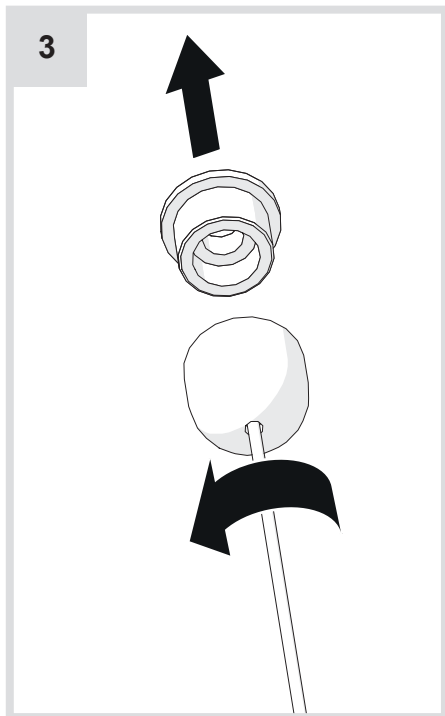
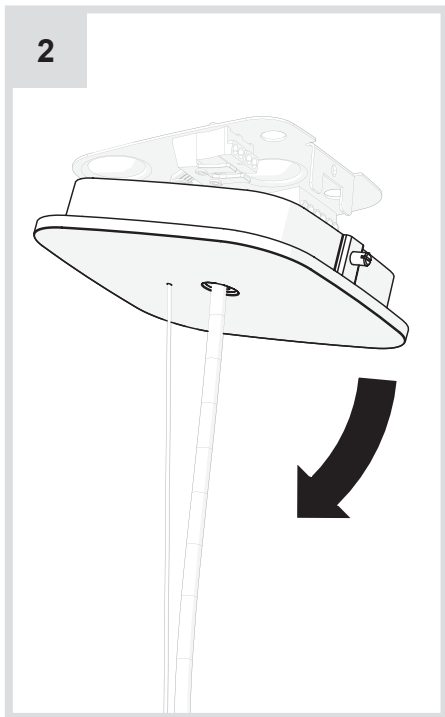
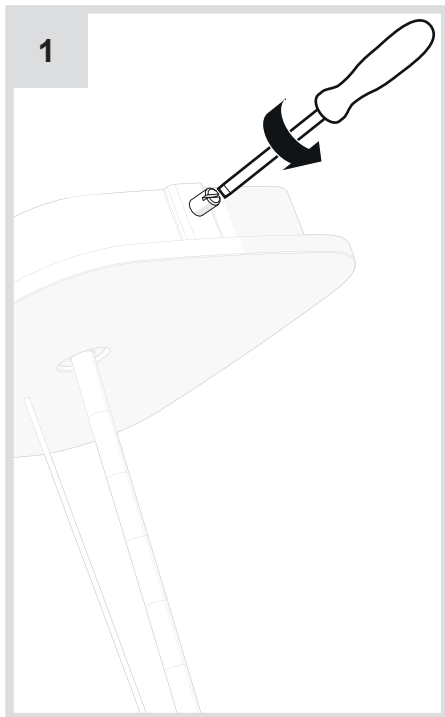
design
Progetto CMR





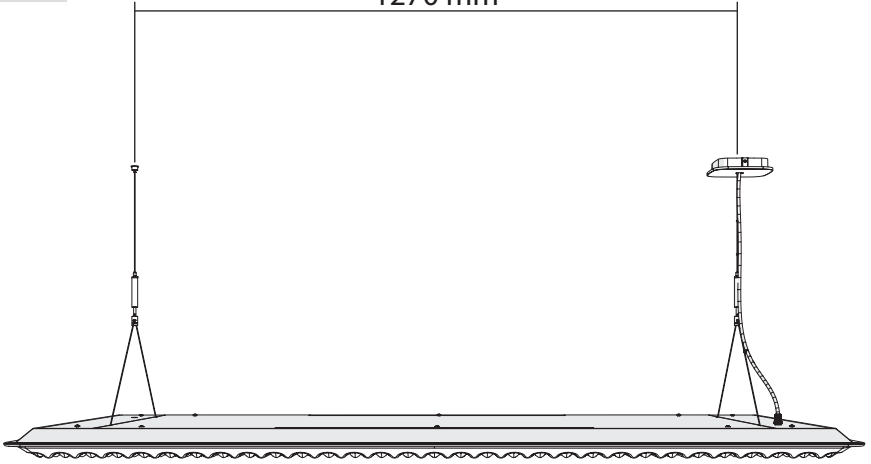
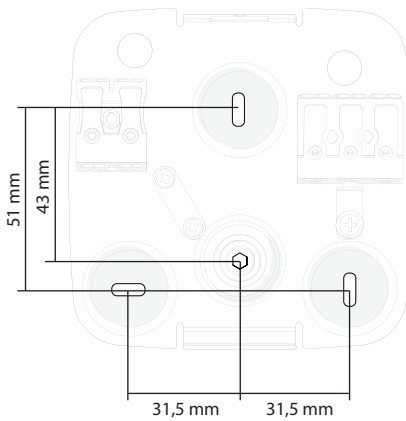
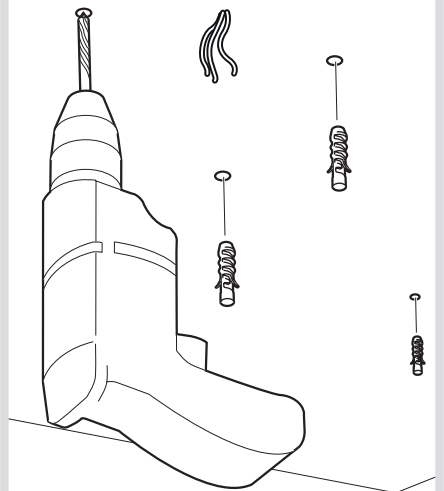
i



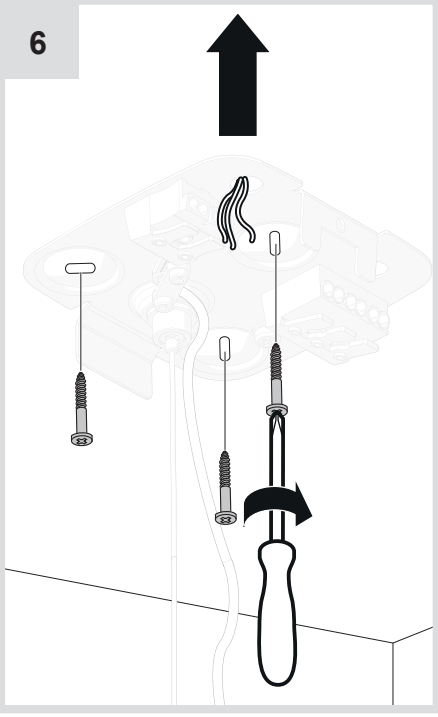


i

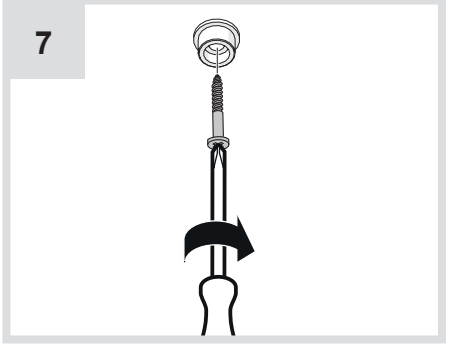
1270 mm

**i****5**

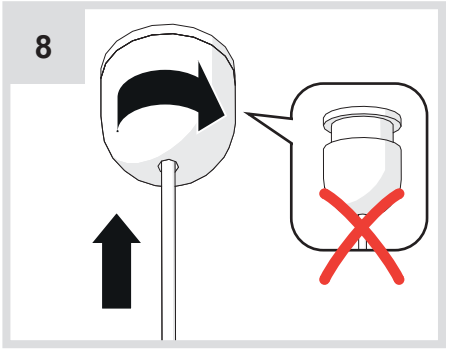
6



7



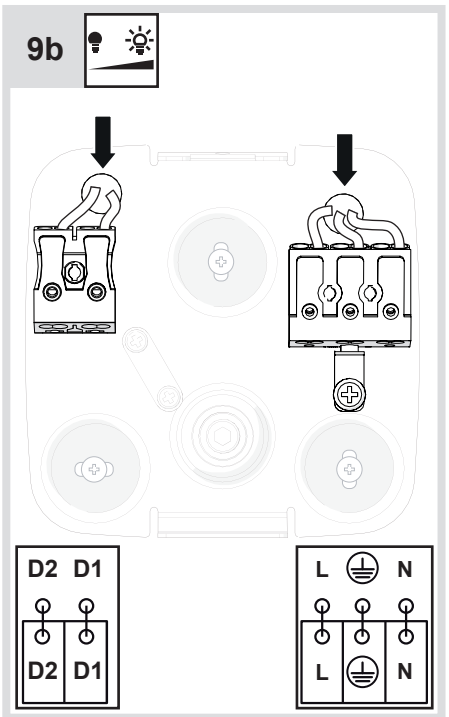
8



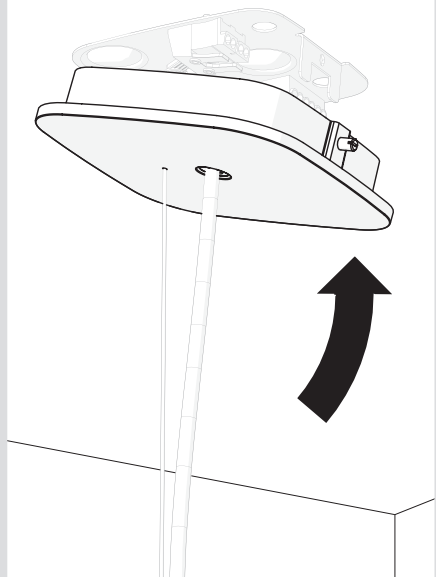
9a



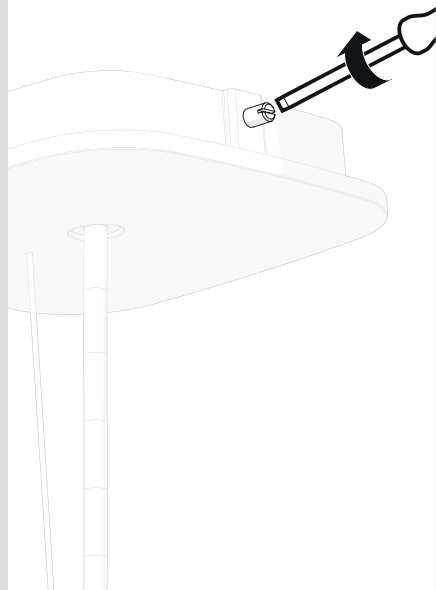
9b



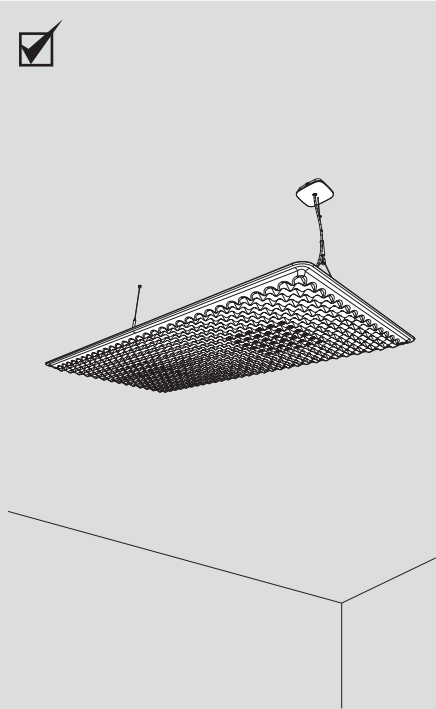
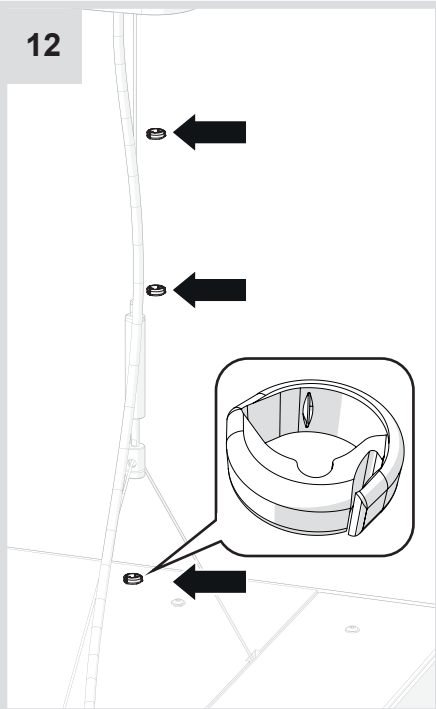
10



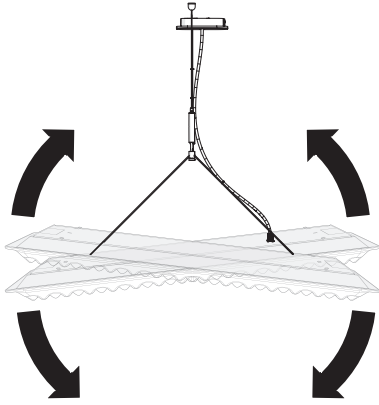
11



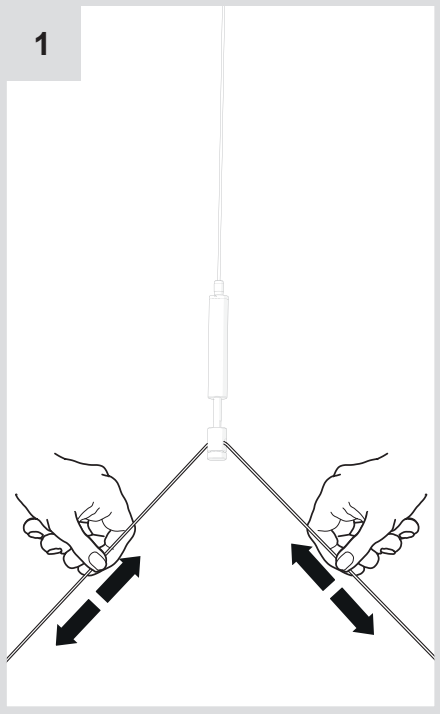
12



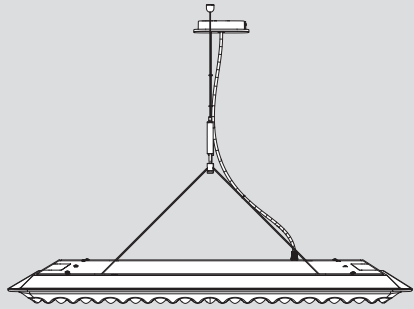
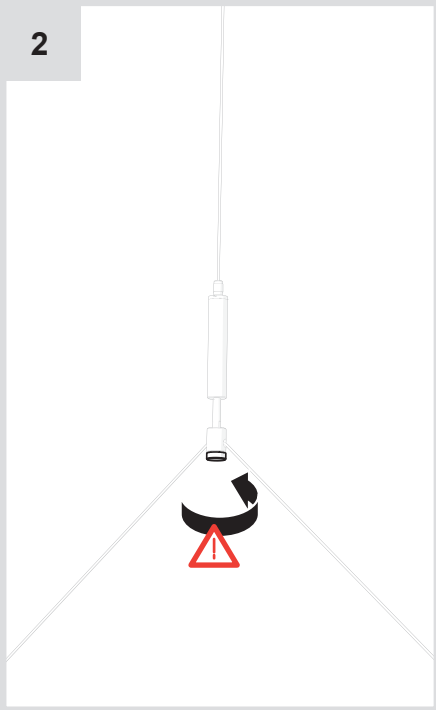
i



1



2



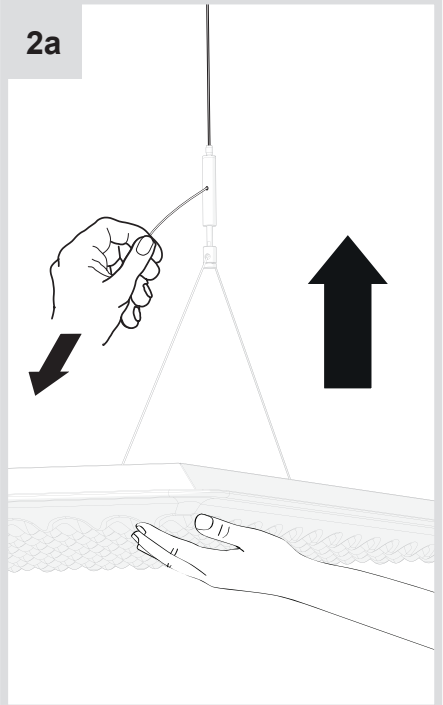
i



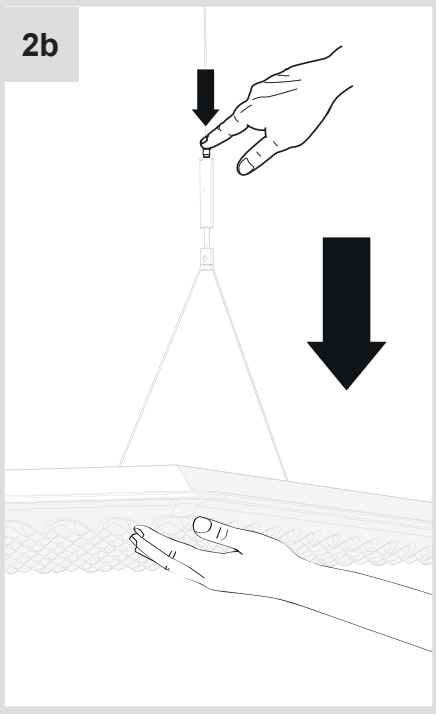
1



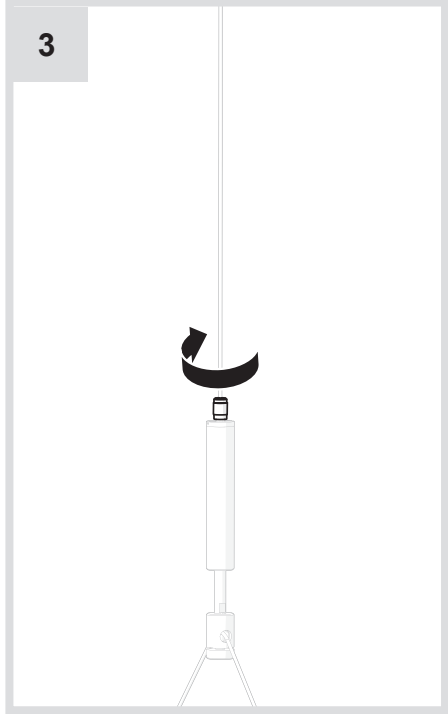
2a



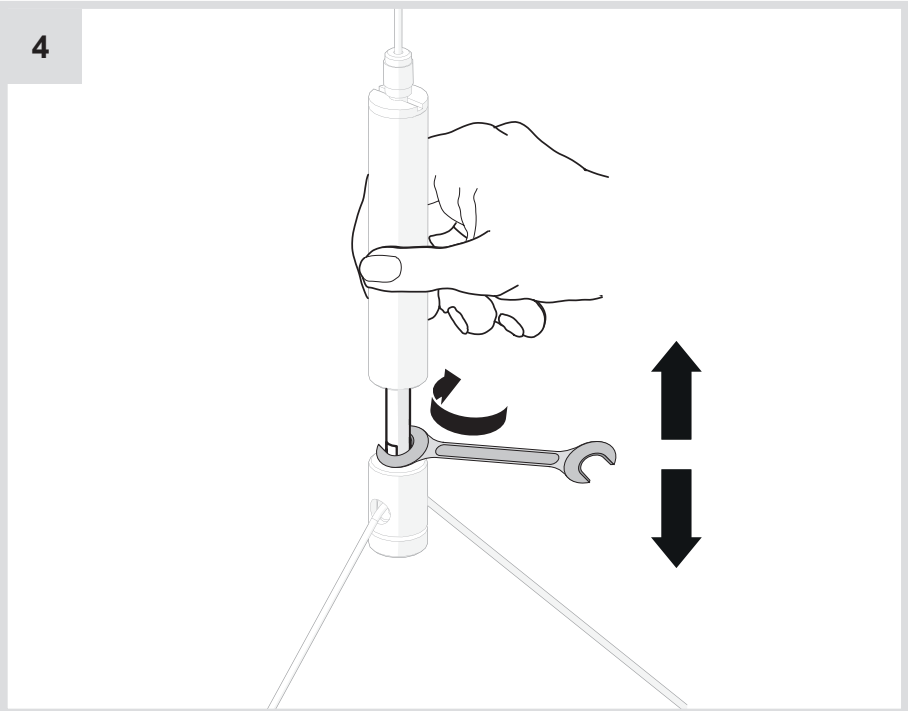
2b

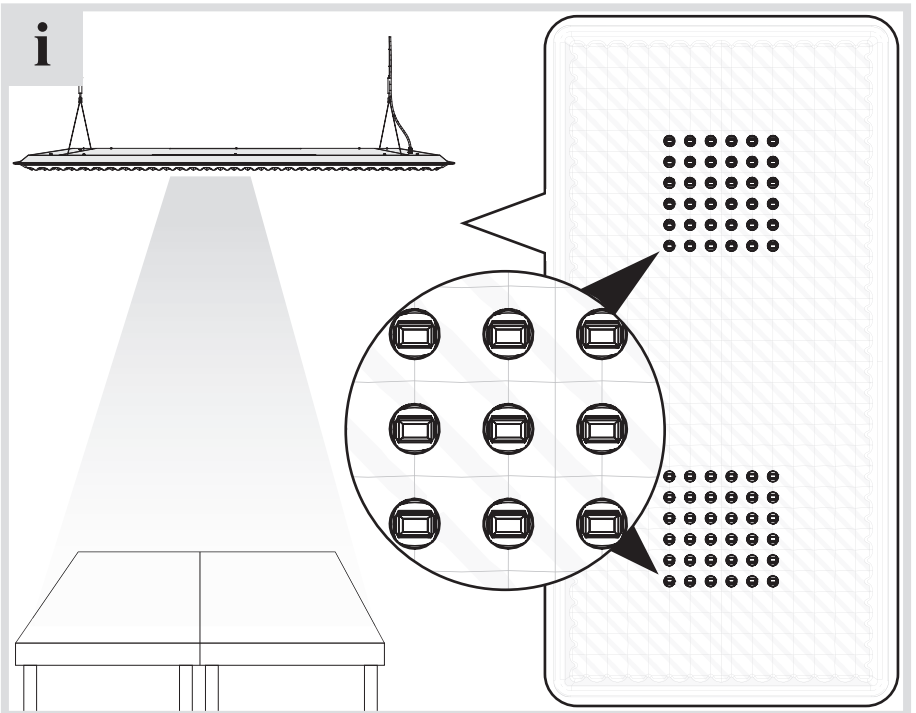
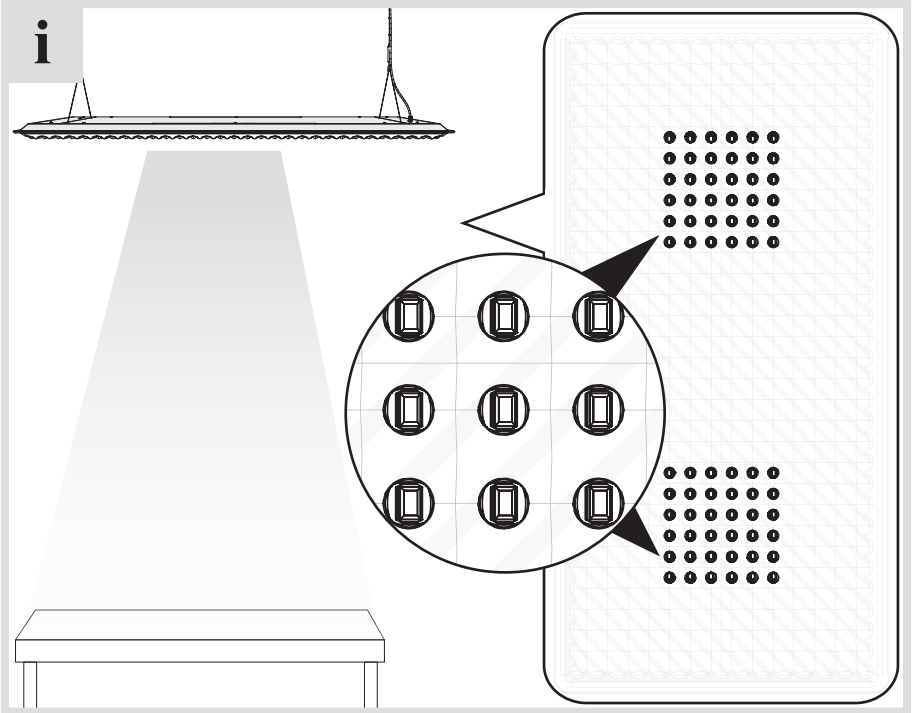


3

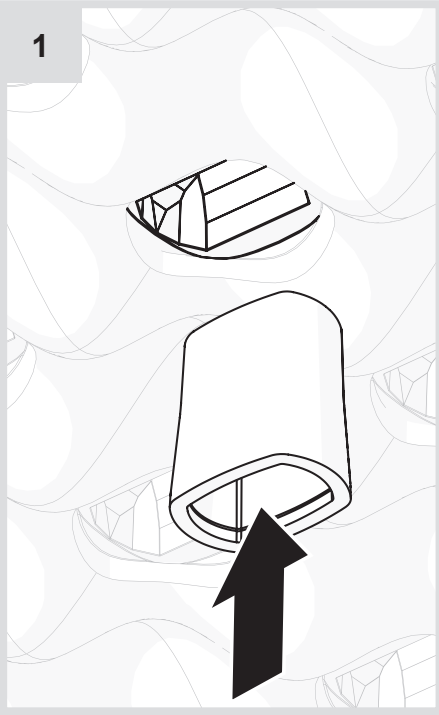


4

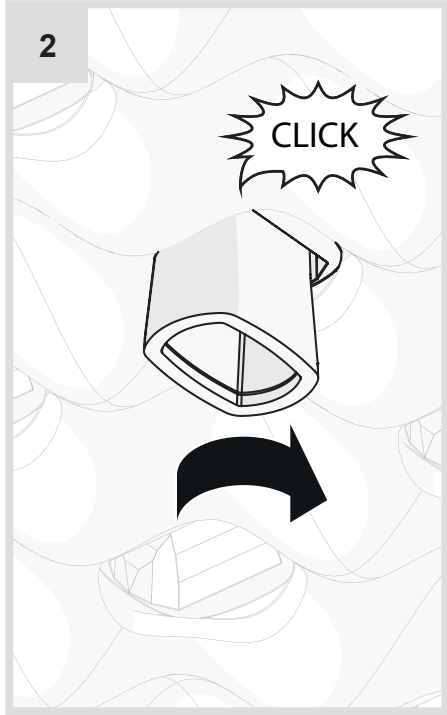


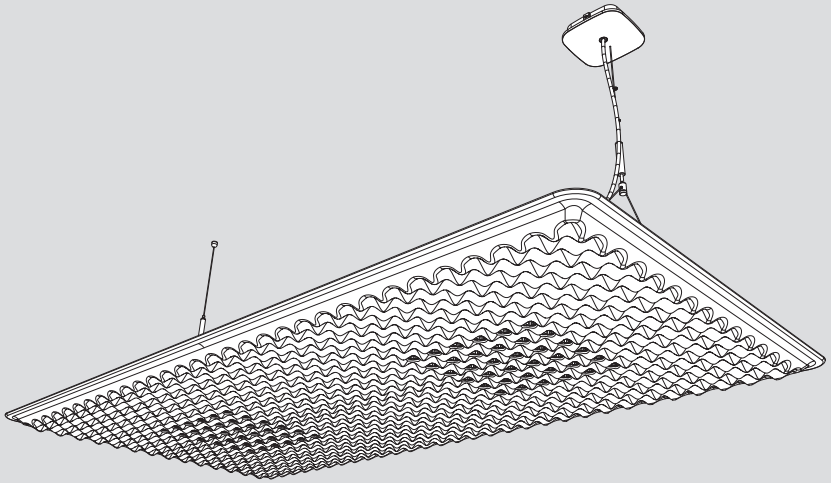


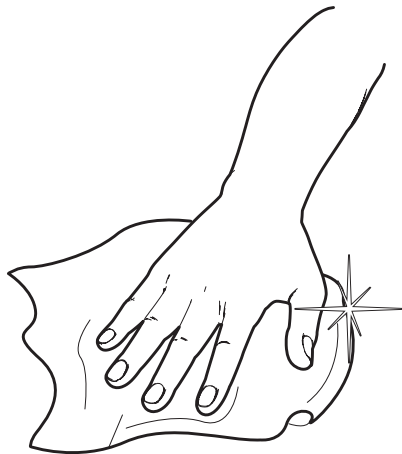
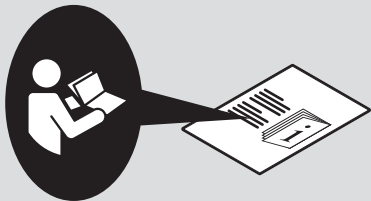
1



2







Artemide®



Artemide

via Bergamo, 18
20010 Pregnana M.se (MI)
ITALIA

tel. +39 02 935 181
fax +39 02 935 90 254
fax +39 02 935 90 496

www.artemide.com

VAT IT00846890150

cod. Y513000404A