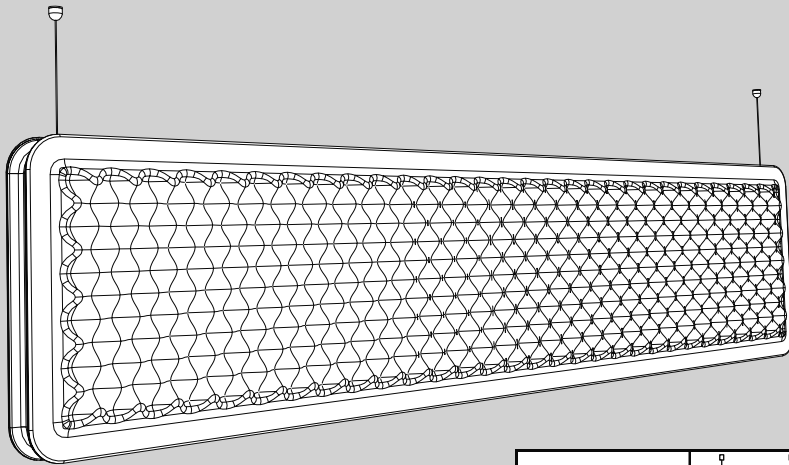


Eggboard Baffle

design
Progetto CMR

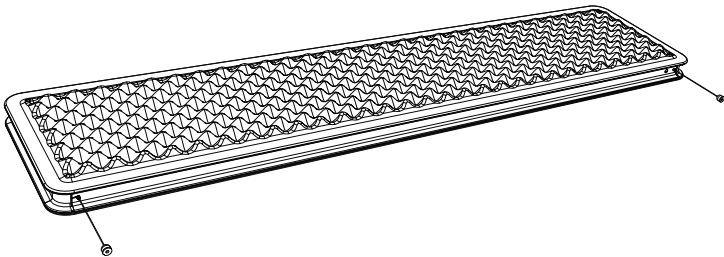
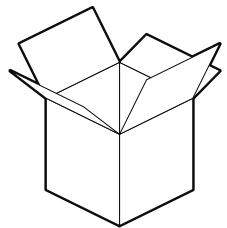
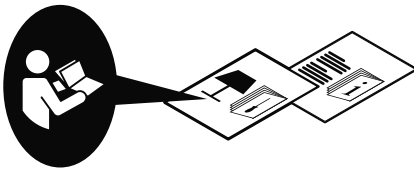
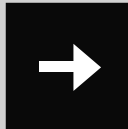
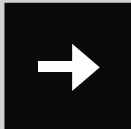
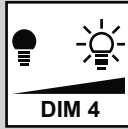
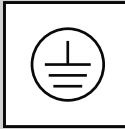


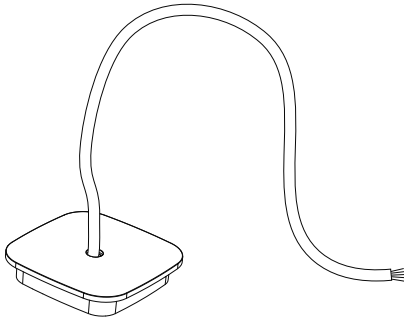
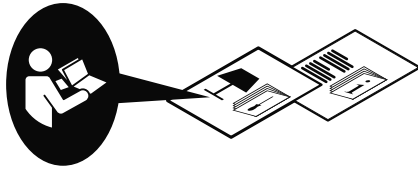
1600x400	Sharping
	Diffusing
	Diffusing + Sharping
800x400	Sharping
	Diffusing + Sharping
1600x800	Acoustic
1600x400	Acoustic



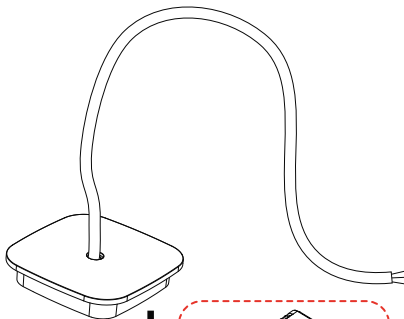
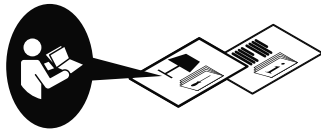
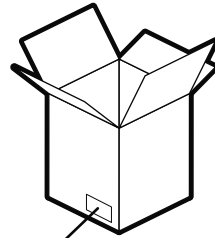


i

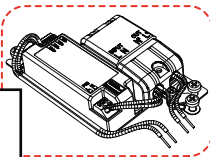




AZ92000



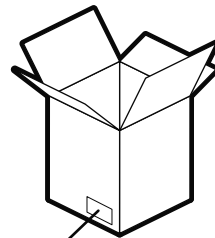
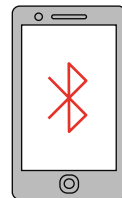
+



AZ92200

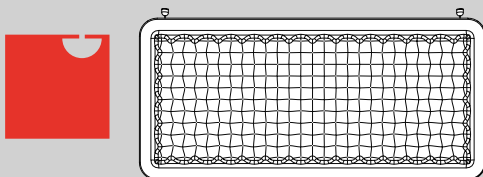
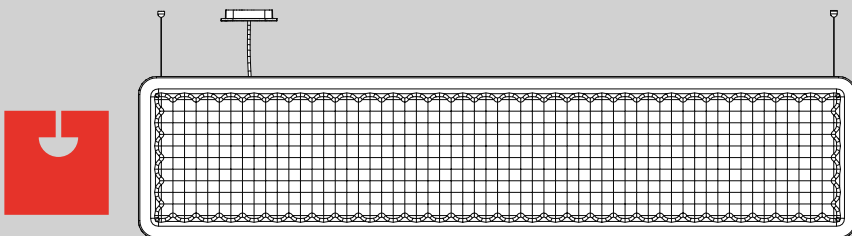


Y513001255

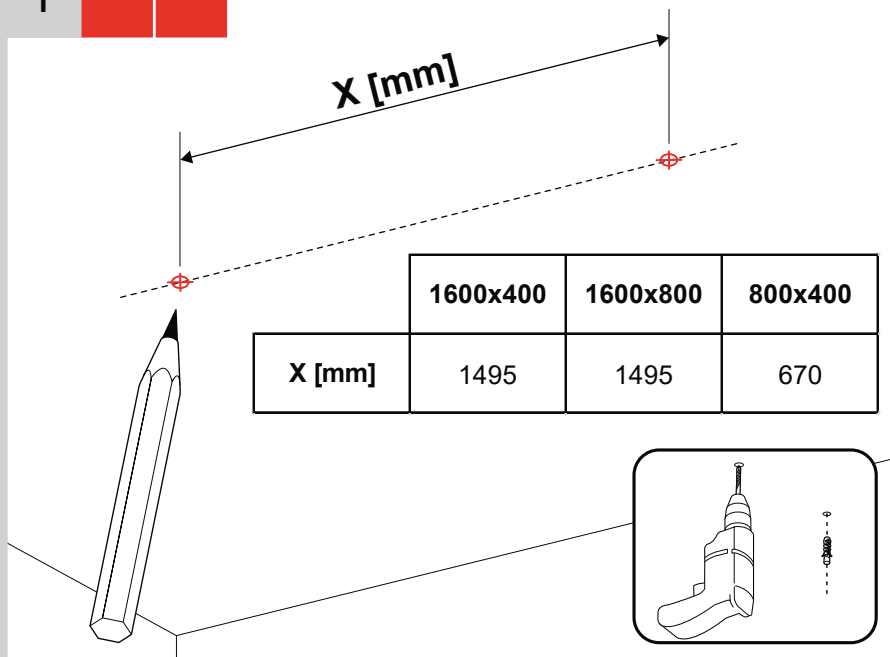


AZ92100

i



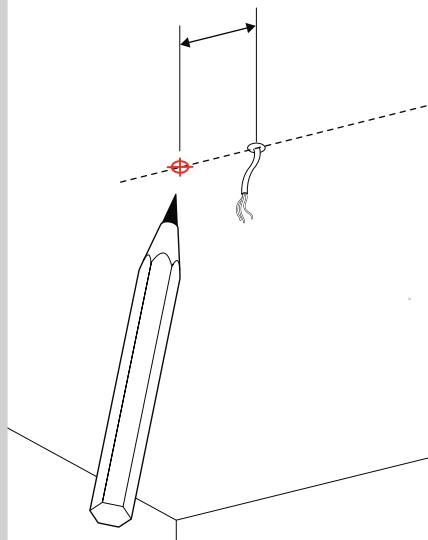
1



2a



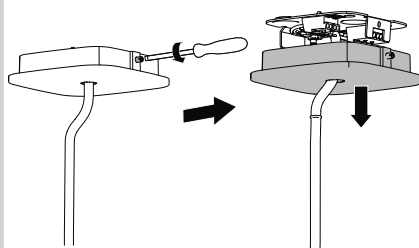
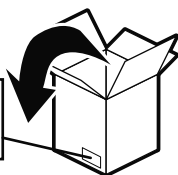
27 mm



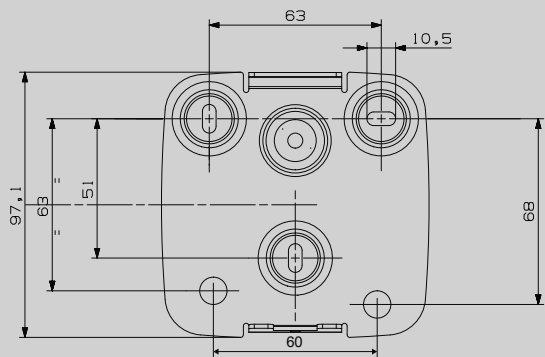
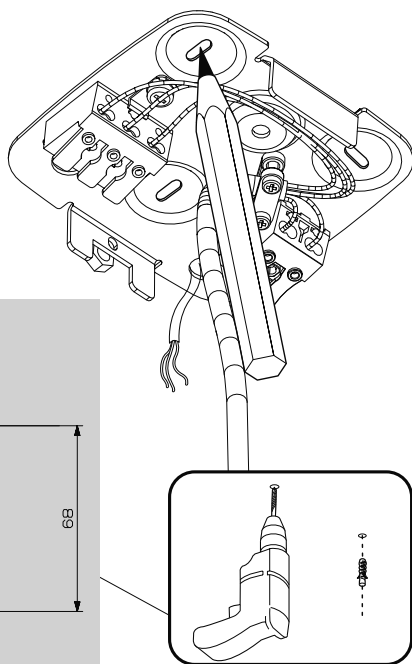
2b

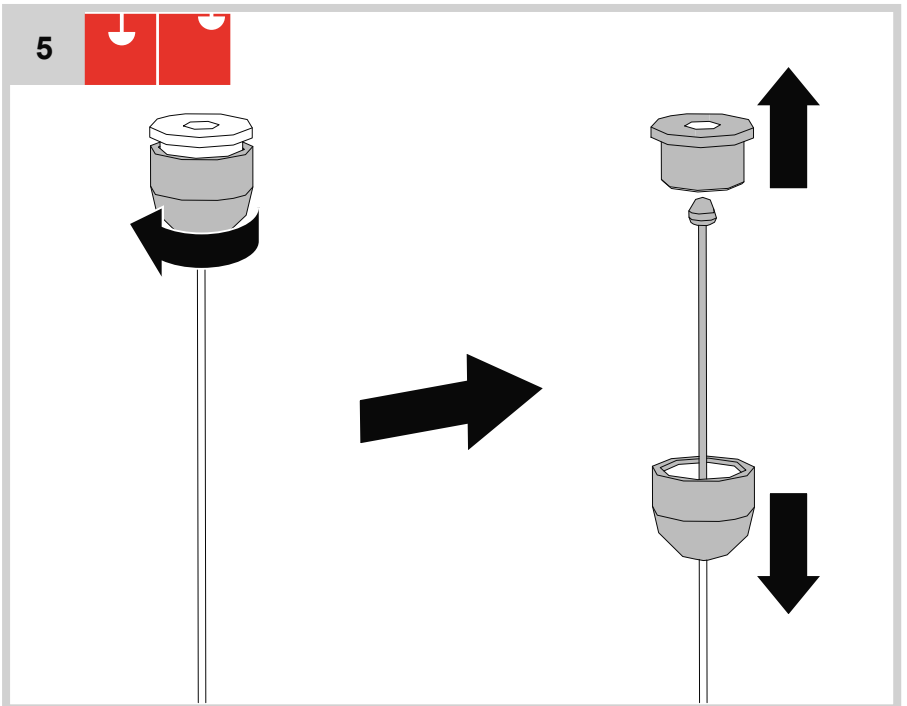
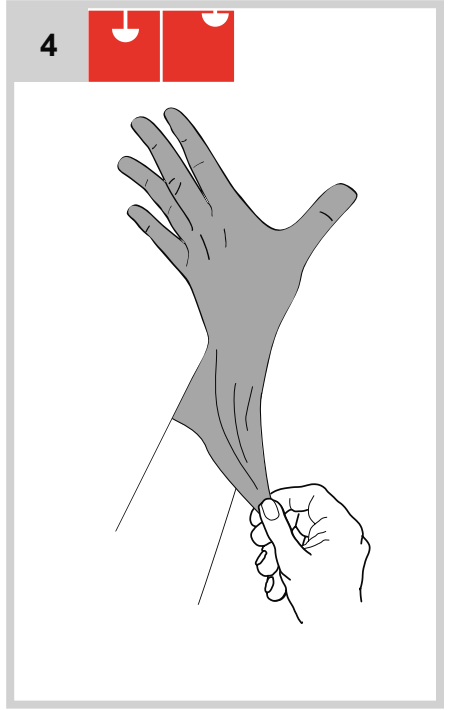
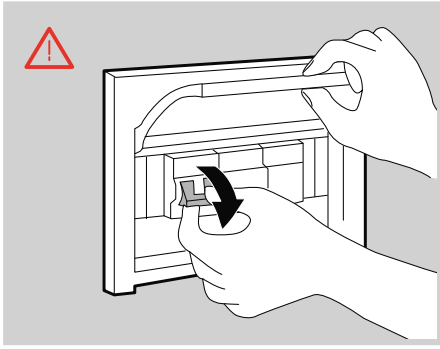


AZ92..00

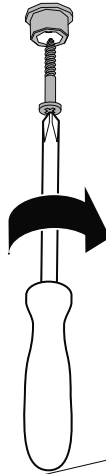


3b

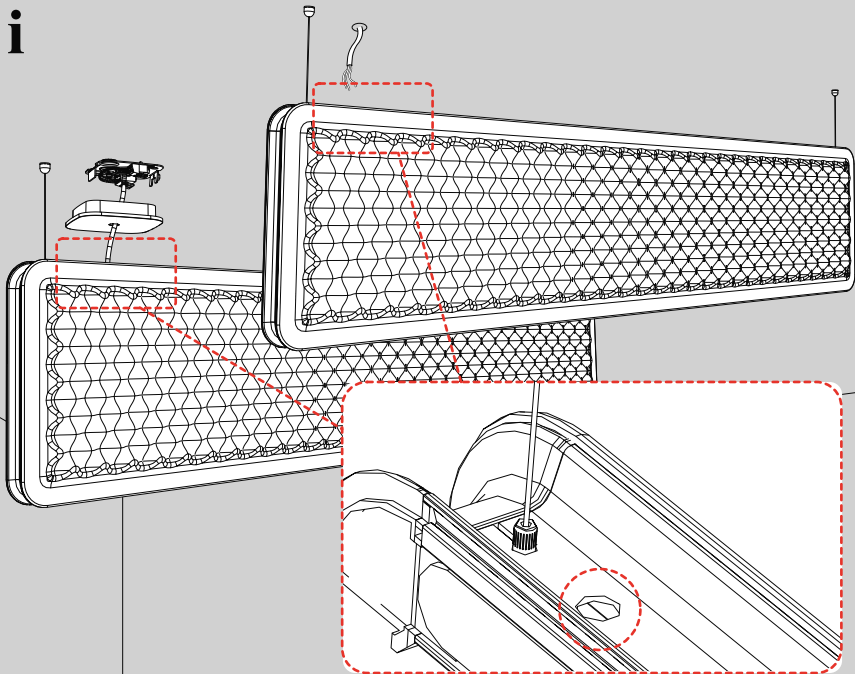




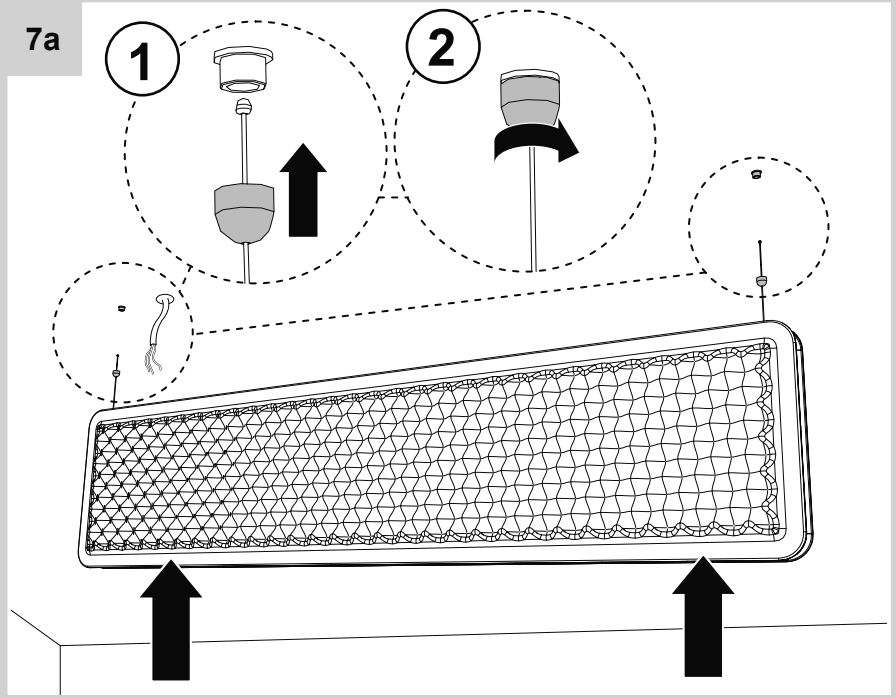
6



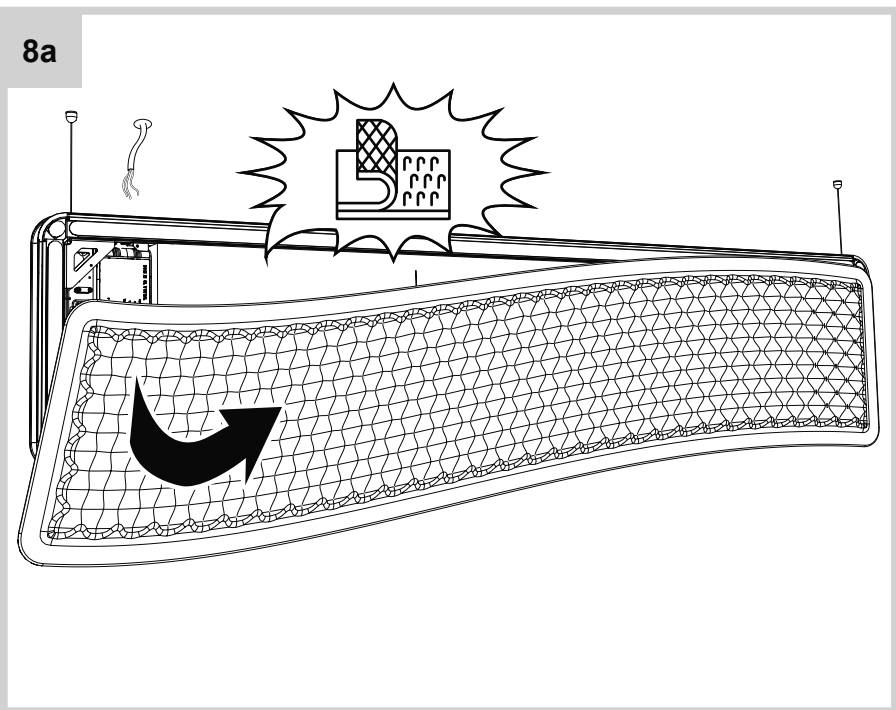
i



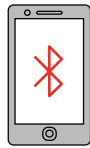
7a



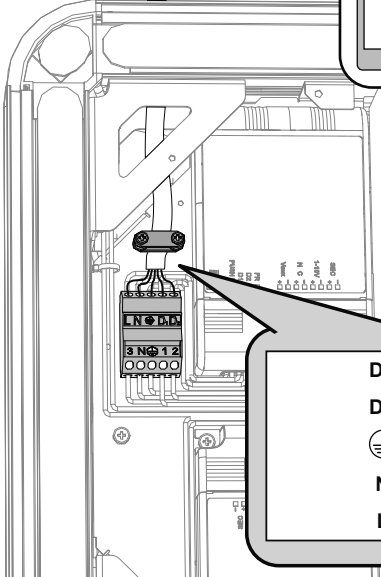

8a



9a

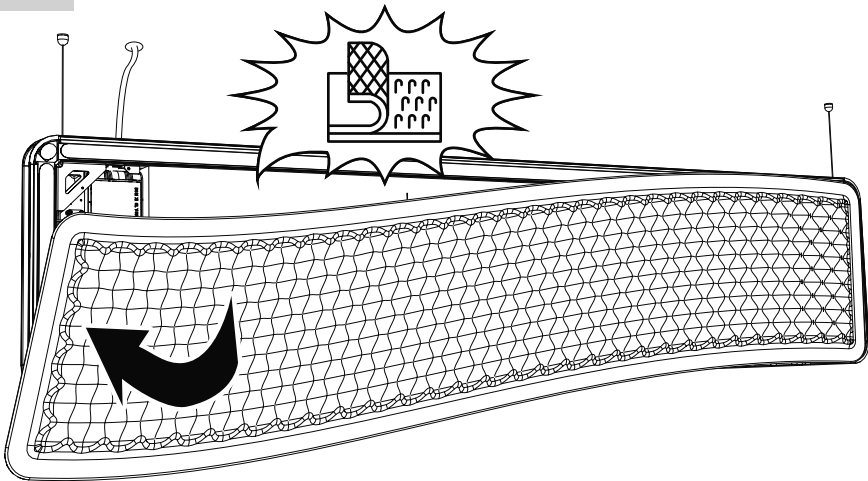


D1	○	
D2	○	
⊕	○	● verde/green/vert/grün
N	○	● blu/blue/bleu/azul/blau
L	○	● marrone/brown/marron/braun

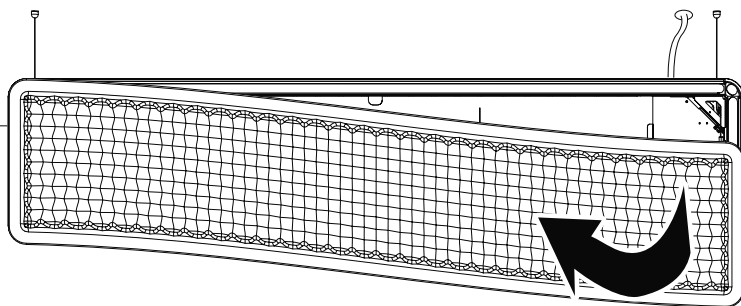


D1	○	● rosso/red/rot/rouge/rojo
D2	○	● bianco/white/weiß/blanche/blanco
⊕	○	● verde/green/vert/grün
N	○	● blu/blue/bleu/azul/blau
L	○	● marrone/brown/marron/braun

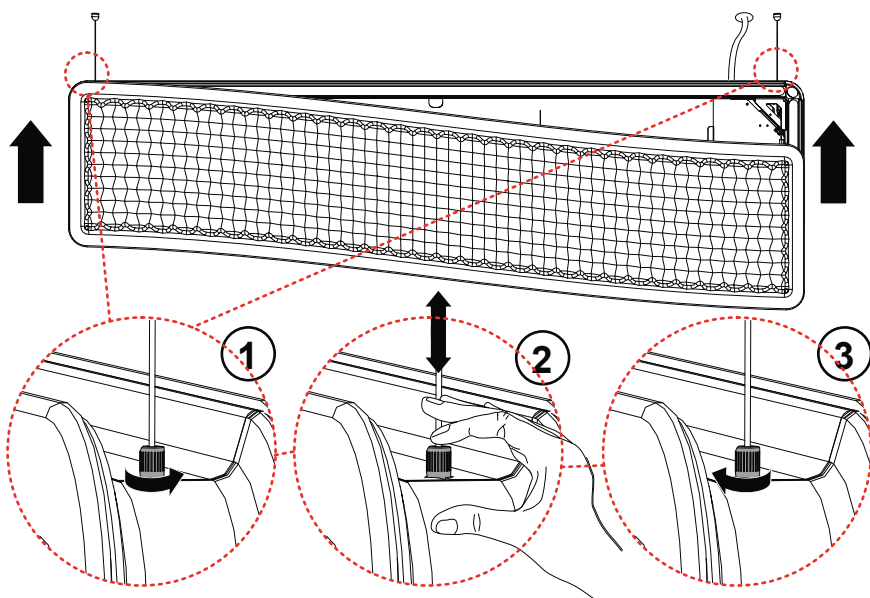
10a



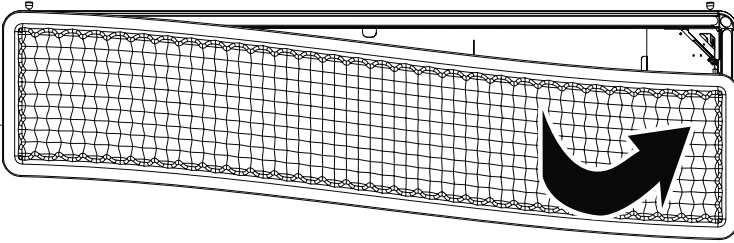
11a



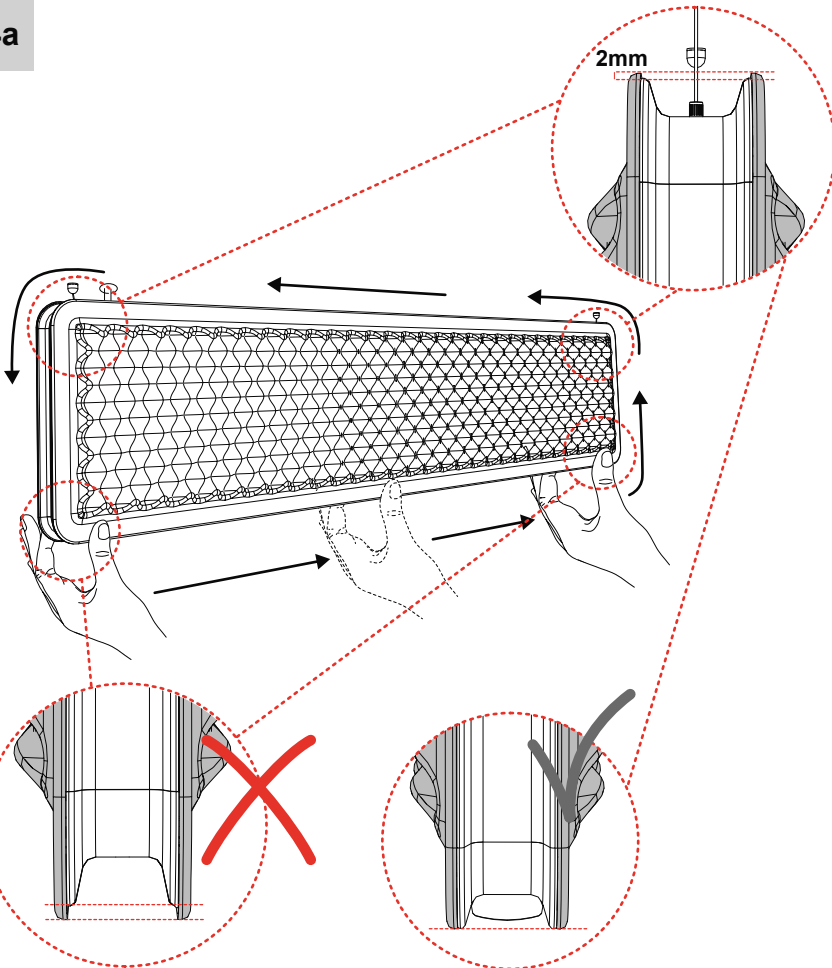
12a



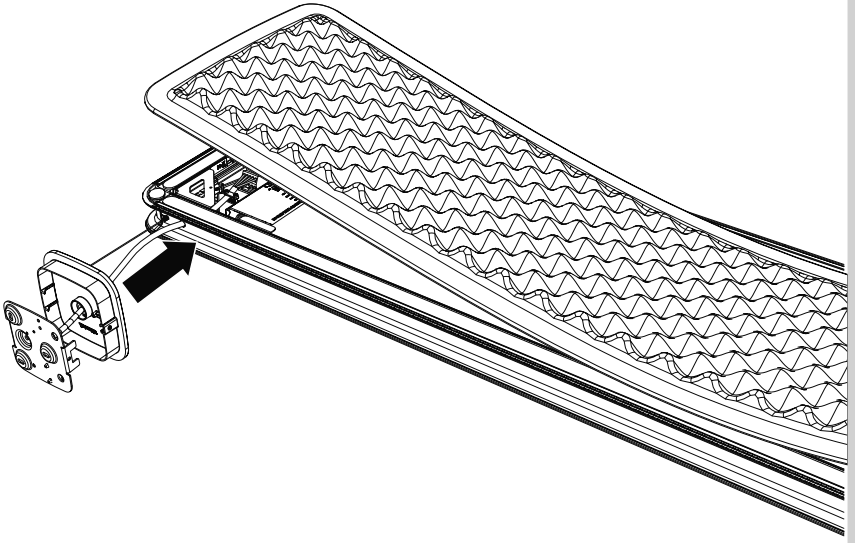
13a



14a



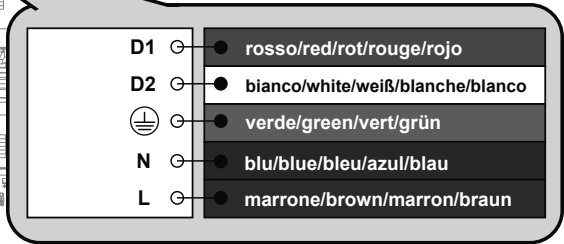
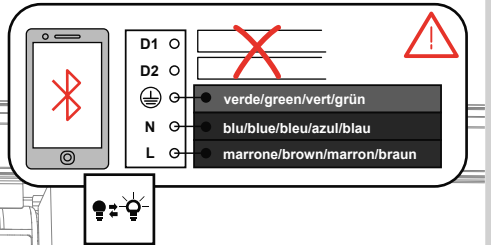
7b



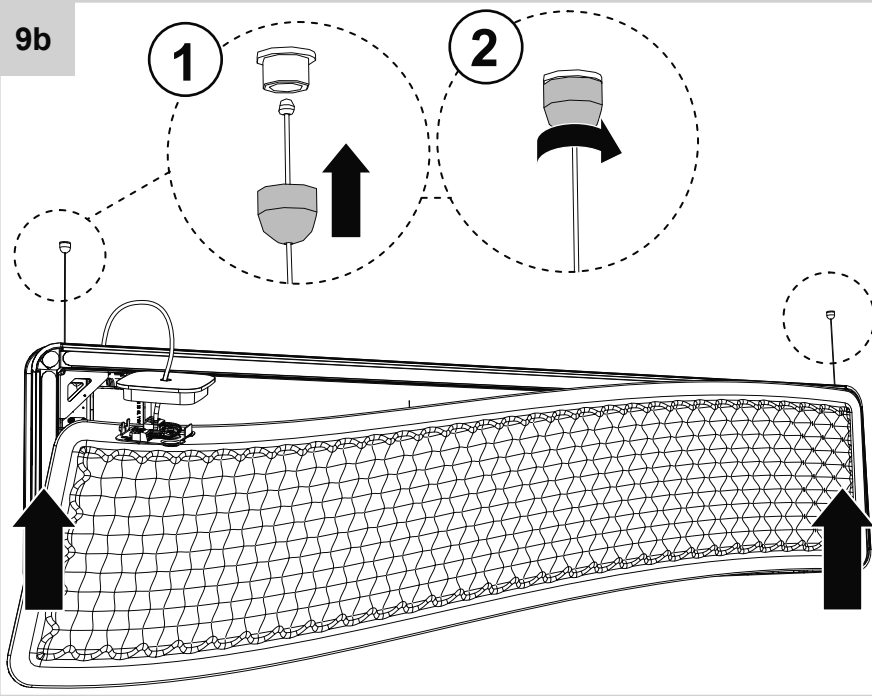
8b



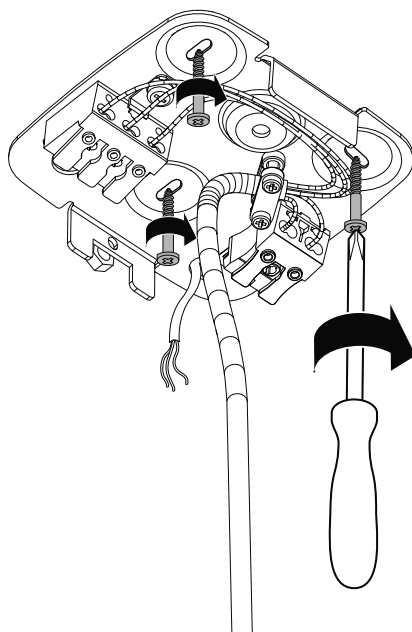
DIM 4



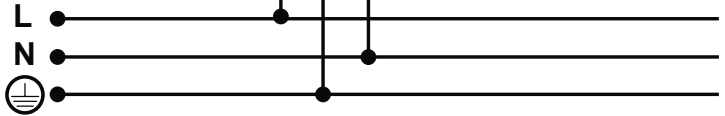
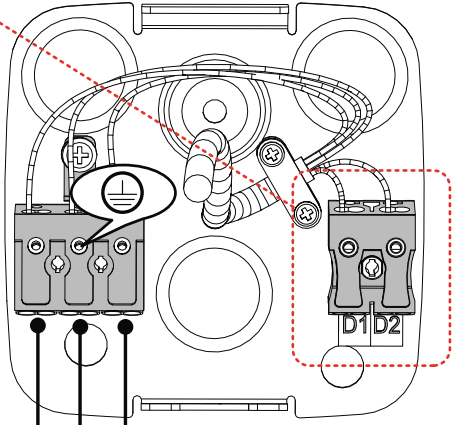
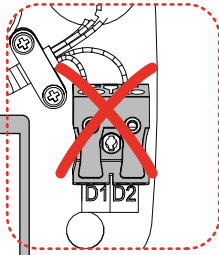
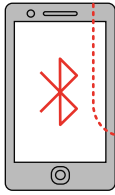
9b



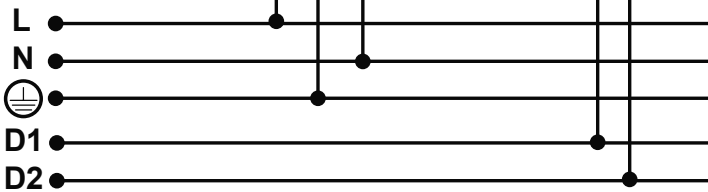
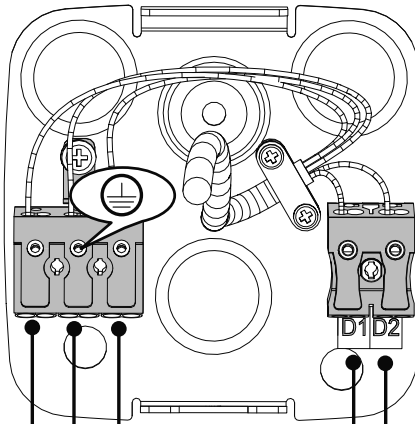
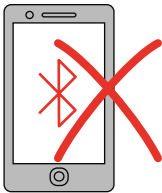
10b



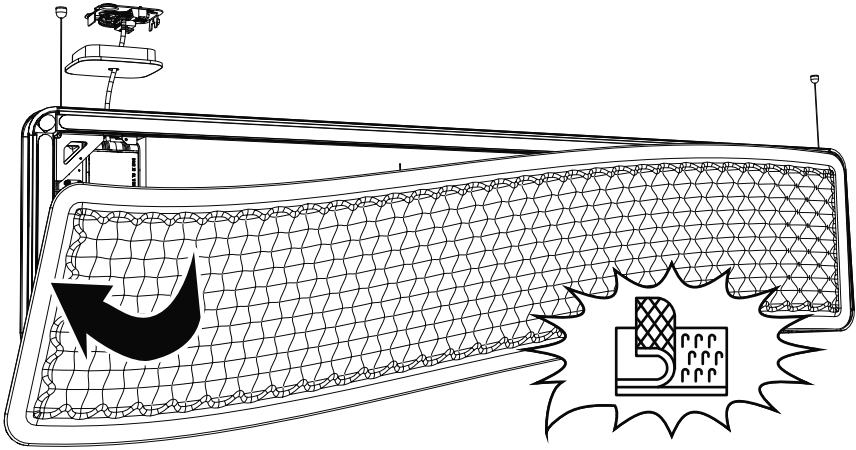
11b



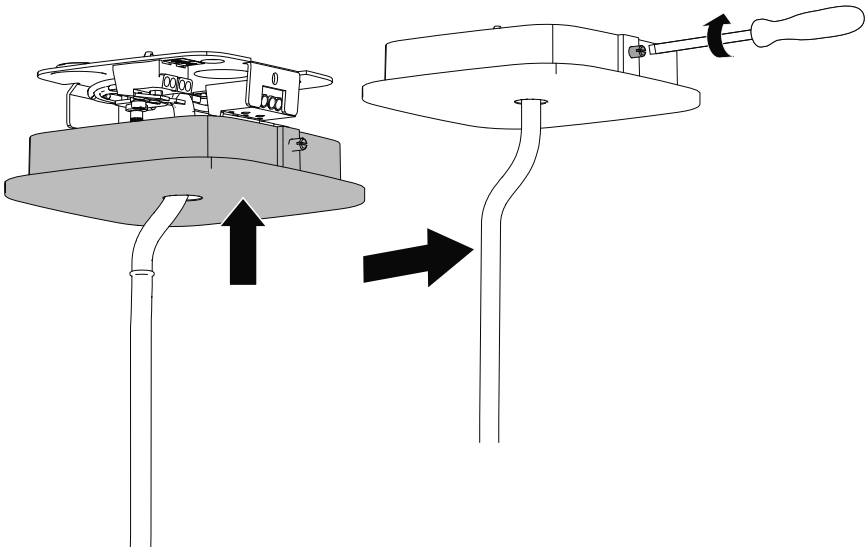
11b



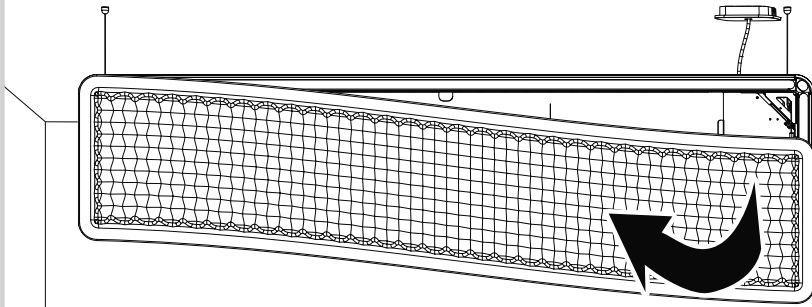
12b



13b

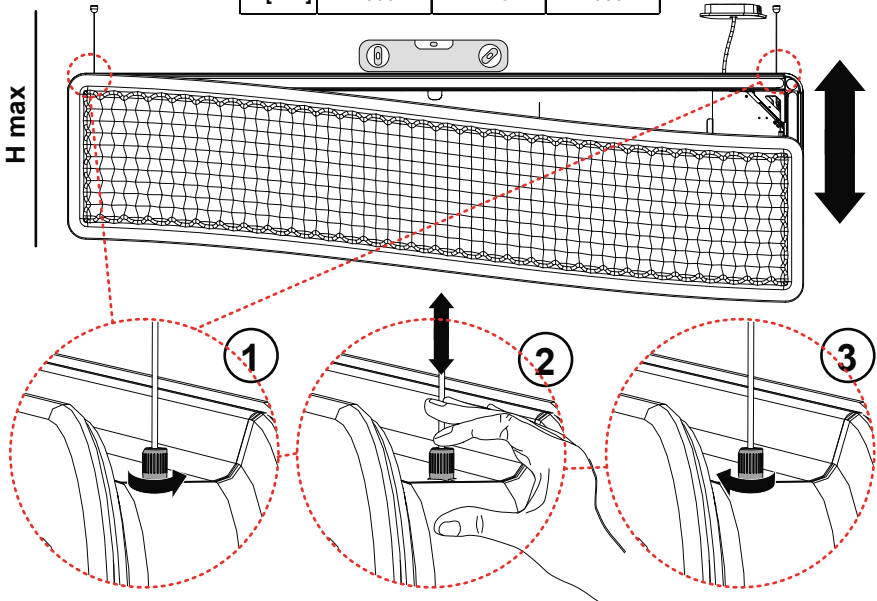


14b



15b

	1600x400	1600x800	800x400
H [mm]	2360	2770	2360

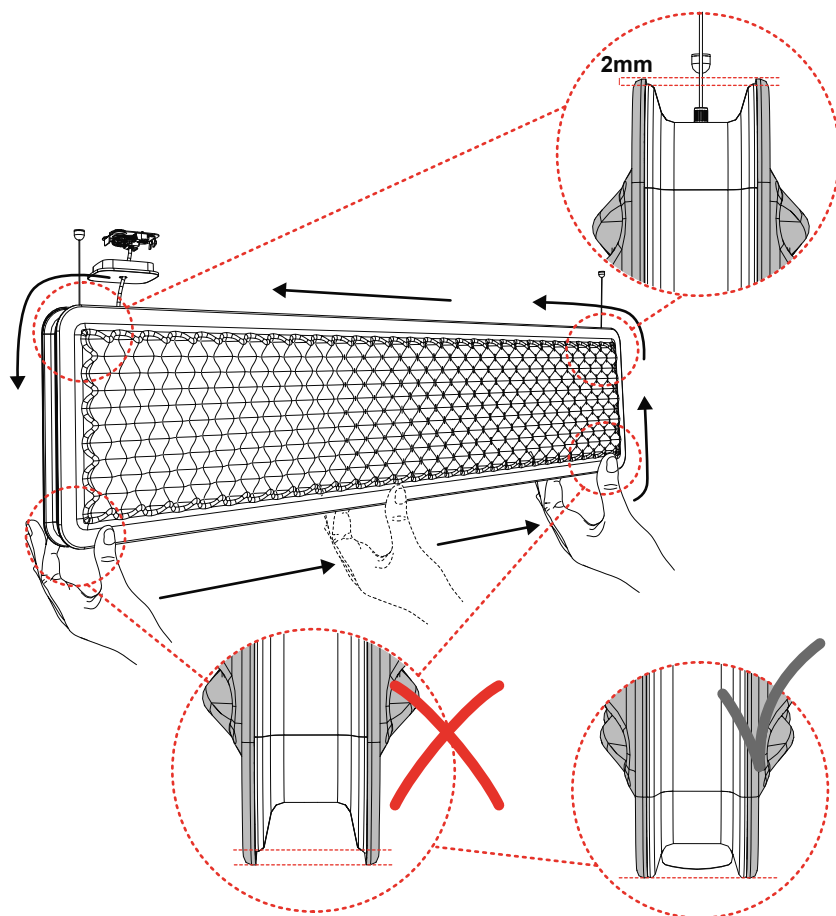


i

Acoustic

$$H_{max} = H + 2000[\text{mm}]$$

16b



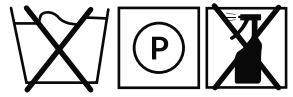
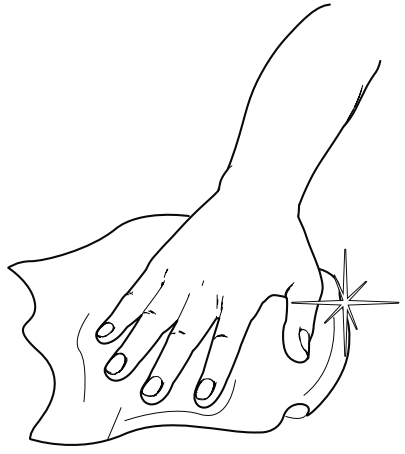
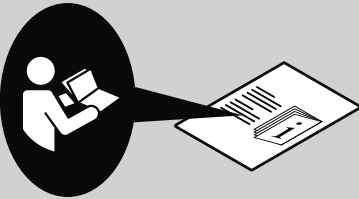
(IT) Assicurarsi che il pannello sia aderente alla struttura su entrambi i lati dell'apparecchio.

(EN) Make sure that the panel adheres to the structure on both sides of the appliance.

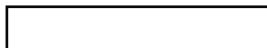
(ES) Asegúrese de que el panel se adhiera a la estructura en ambos lados del aparato.

(FR) Assurez-vous que le panneau adhère à la structure des deux côtés de l'appareil.

(DE) Stellen Sie sicher, dass die Platte auf beiden Seiten des Geräts an der Struktur haftet.



Artemide[®]
ARCHITECTURAL



Artemide Spa

via Bergamo, 18
20010 Pregnana M.se (MI)
ITALIA

Tel. +39 02 935 181
Fax +39 02 935 90 254
Fax +39 02 935 90 496

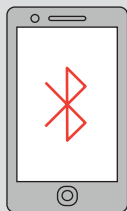
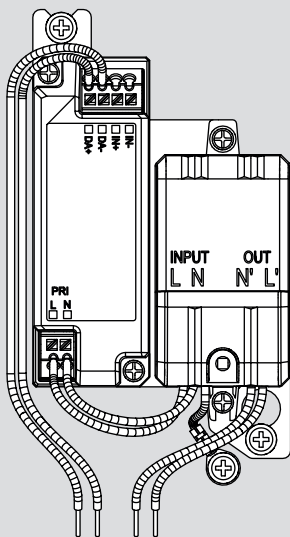
www.artemide.com

VAT IT00846890150

cod. Y513001123A

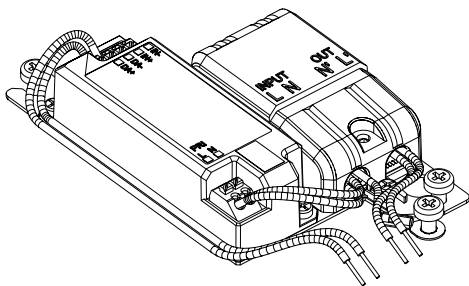
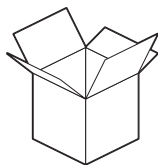
Eggboard Baffle - KIT BLL

design
Progetto CMR

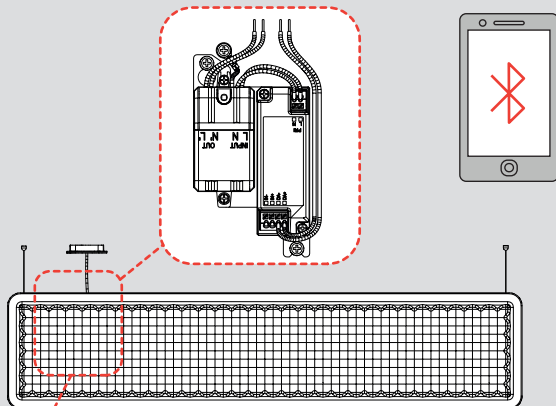




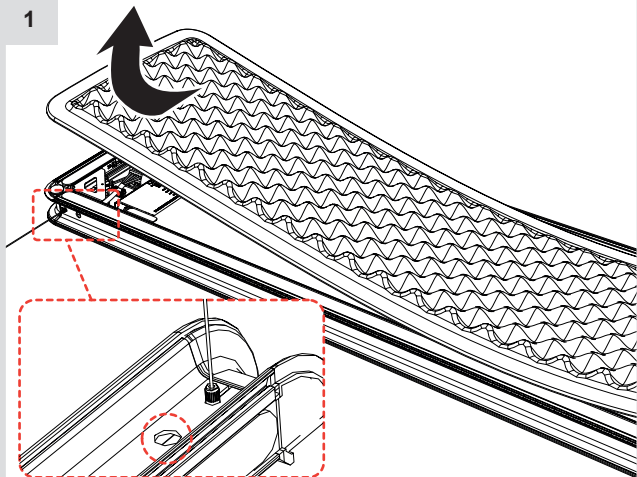
i



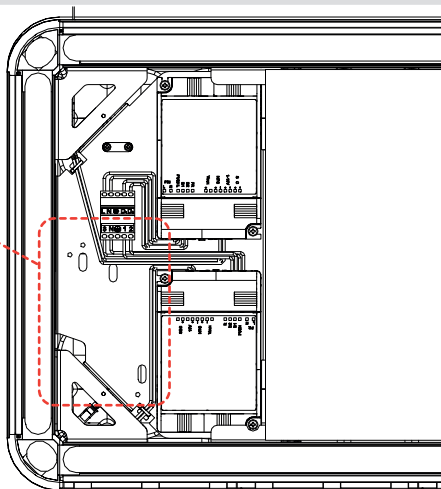
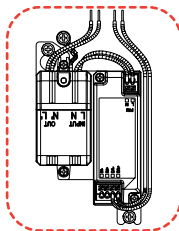
i



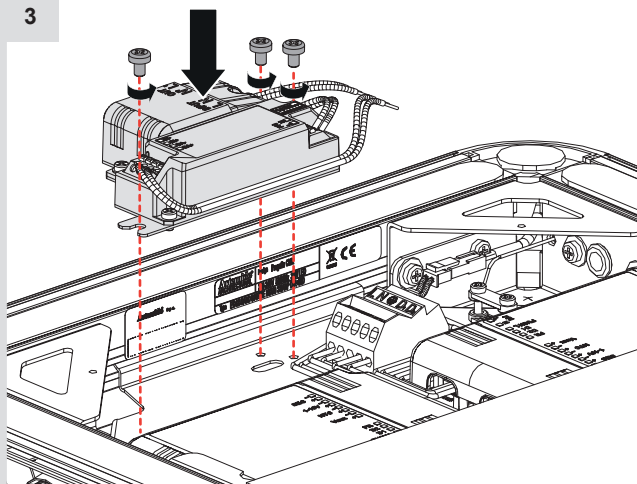
1



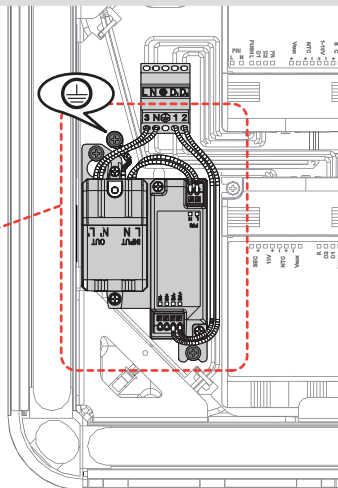
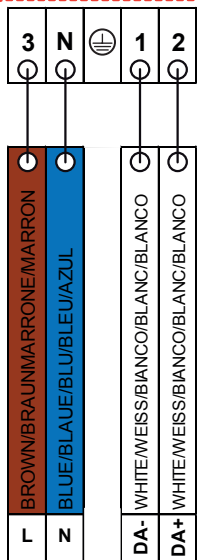
2



3



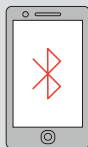
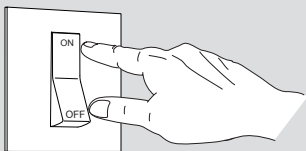
4



5



Y513001123



i



GET IT ON
Google Play

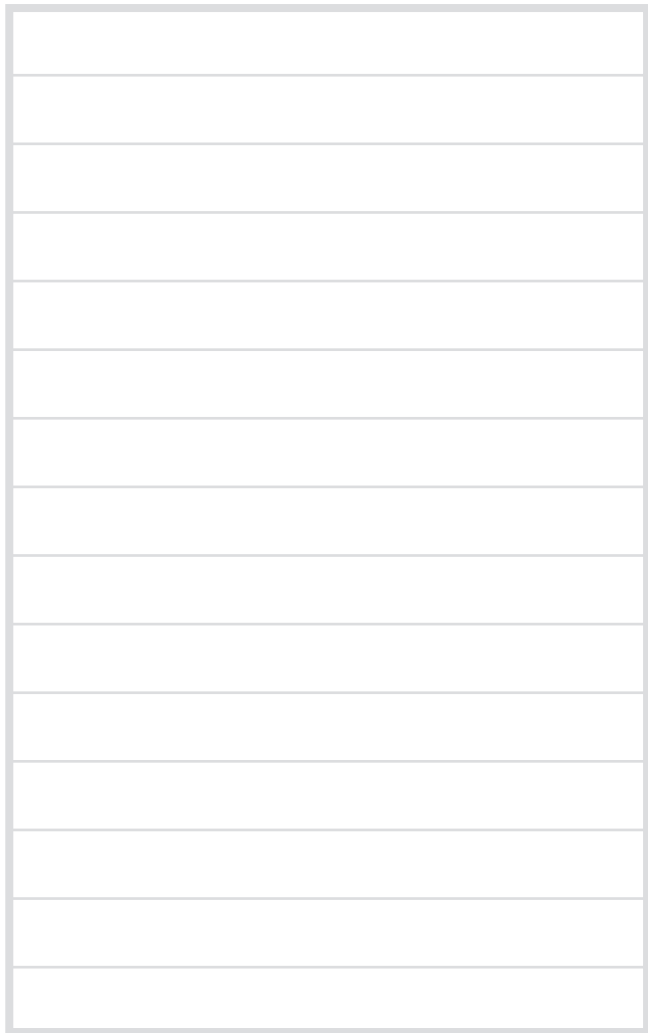


Download on the
App Store



download the Artemide App
& find more information on
artemide.com





Artemide[®]
ARCHITECTURAL



Artemide Spa

via Bergamo, 18
20010 Pregnana M.se (MI)
ITALIA

Tel. +39 02 935 181
Fax +39 02 935 90 254
Fax +39 02 935 90 496

www.artemide.com

VAT IT00846890150

cod. Y513001255