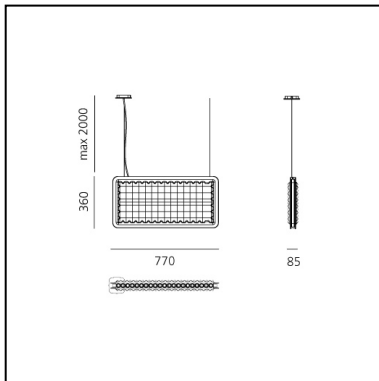


Eggboard Baffle - 800x400 - Suspension/Ceiling - Direct Sharp - 3000K - Dimmable DALI - Green

Progetto CMR - Giacobone &
Roj



IP20   Dimmerable: 



LUMINAIRE

- Watt: **11W**
- Delivered lumen output: **667lm**
- CCT: **3000K**
- Efficiency: **71%**
- Efficacy: **60.65lm/W**
- CRI: **90**

DESCRIPTION

The entire Eggboard collection is based on the principle of acoustic absorption to limit sound reverberation, particularly with respect to human voice frequencies. A vertical suspension and a number of panels with grazing light intended for wall or ceiling installation are the new elements making up the lightscape and ensuring perfect environmental quality. They both work freely on the lighting performances that can be combined with the acoustic element. The suspension version can combine indirect diffused light with direct controlled light thanks to the patented Eggboard Matrix optical units. In the wall and ceiling versions, grazing light can be associated on each side.

FEATURES

- Product Code: **AZ11251**
- Colour: **Green**
- Installation: **CeilingSuspension**
- Series: **Architectural Indoor**
- Environment: **Indoor**
- design by: **Progetto CMR - Giacobone & Roj**

DIMENSIONS

- Length: **800 mm**
- Width: **80 mm**
- Height: **400 mm**

SOURCES INCLUDED

- Category: **Led**
- Number: **1**
- Watt: **9W**
- Color Tolerance: **MacAdam 3SDCM**
- Service Life: **L90 (10K) > 60000h**

Notes

220/240Vac 50/60Hz electronic ballast included.

For the suspension version, order the ceiling rose or the BLL DALI interface for APP separately.
UGR<19

Accessories

NO
IMAGE
AVAILABLE

APP power supply kit for suspension + 1 power cable L 2100mm AZ92100

NO
IMAGE
AVAILABLE

BLL DALI interface for APP AZ92200

NO
IMAGE
AVAILABLE

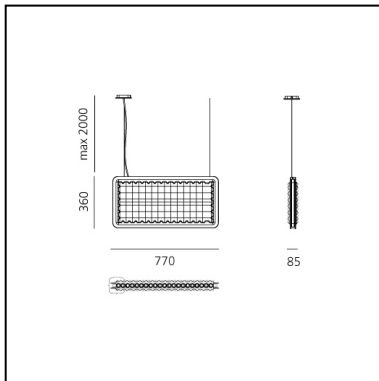
Canopy + 1 power cable L 2100mm - Dimmable DALI - Only for suspension AZ92000

Eggboard Baffle - 800x400 - Suspension/Ceiling - Direct Sharp - 3000K - Dimmable DALI - Grey

Progetto CMR - Giacobone &
Roj



IP20   Dimmerable: 



LUMINAIRE

- Watt: **11W**
- Delivered lumen output: **667lm**
- CCT: **3000K**
- Efficiency: **71%**
- Efficacy: **60.65lm/W**
- CRI: **90**

DESCRIPTION

The entire Eggboard collection is based on the principle of acoustic absorption to limit sound reverberation, particularly with respect to human voice frequencies. A vertical suspension and a number of panels with grazing light intended for wall or ceiling installation are the new elements making up the lightscape and ensuring perfect environmental quality. They both work freely on the lighting performances that can be combined with the acoustic element. The suspension version can combine indirect diffused light with direct controlled light thanks to the patented Eggboard Matrix optical units. In the wall and ceiling versions, grazing light can be associated on each side.

FEATURES

- Product Code: **AZ11291**
- Colour: **Grey**
- Installation: **CeilingSuspension**
- Series: **Architectural Indoor**
- Environment: **Indoor**
- design by: **Progetto CMR - Giacobone & Roj**

DIMENSIONS

- Length: **800 mm**
- Width: **80 mm**
- Height: **400 mm**

SOURCES INCLUDED

- Category: **Led**
- Number: **1**
- Watt: **9W**
- Color Tolerance: **MacAdam 3SDCM**
- Service Life: **L90 (10K) > 60000h**

Notes

220/240Vac 50/60Hz electronic ballast included.

For the suspension version, order the ceiling rose or the BLL DALI interface for APP separately.
UGR<19

Accessories

NO
IMAGE
AVAILABLE

APP power supply kit for suspension + 1 power cable L 2100mm AZ92100

NO
IMAGE
AVAILABLE

BLL DALI interface for APP AZ92200

NO
IMAGE
AVAILABLE

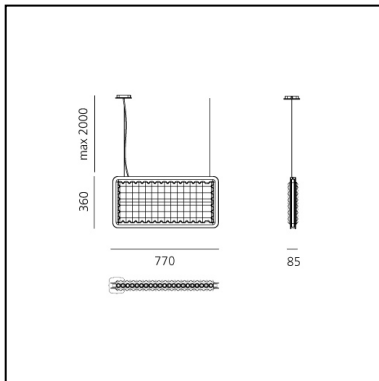
Canopy + 1 power cable L 2100mm - Dimmable DALI - Only for suspension AZ92000

Eggboard Baffle - 800x400 - Suspension/Ceiling - Direct Sharp - 3000K - Dimmable DALI - White Cream

Progetto CMR - Giacobone &
Roj



IP20   Dimmerable: 



LUMINAIRE

- Watt: **11W**
- Delivered lumen output: **667lm**
- CCT: **3000K**
- Efficiency: **71%**
- Efficacy: **60.65lm/W**
- CRI: **90**

DESCRIPTION

The entire Eggboard collection is based on the principle of acoustic absorption to limit sound reverberation, particularly with respect to human voice frequencies. A vertical suspension and a number of panels with grazing light intended for wall or ceiling installation are the new elements making up the lightscape and ensuring perfect environmental quality. They both work freely on the lighting performances that can be combined with the acoustic element. The suspension version can combine indirect diffused light with direct controlled light thanks to the patented Eggboard Matrix optical units. In the wall and ceiling versions, grazing light can be associated on each side.

FEATURES

- Product Code: **AZ11221**
- Colour: **White Cream**
- Installation: **CeilingSuspension**
- Series: **Architectural Indoor**
- Environment: **Indoor**
- design by: **Progetto CMR - Giacobone & Roj**

DIMENSIONS

- Length: **800 mm**
- Width: **80 mm**
- Height: **400 mm**

SOURCES INCLUDED

- Category: **Led**
- Number: **1**
- Watt: **9W**
- Color Tolerance: **MacAdam 3SDCM**
- Service Life: **L90 (10K) > 60000h**

Notes

220/240Vac 50/60Hz electronic ballast included.

For the suspension version, order the ceiling rose or the BLL DALI interface for APP separately.

UGR<19

Accessories

NO
IMAGE
AVAILABLE

APP power supply kit for suspension + 1 power cable L 2100mm AZ92100

NO
IMAGE
AVAILABLE

BLL DALI interface for APP AZ92200

NO
IMAGE
AVAILABLE

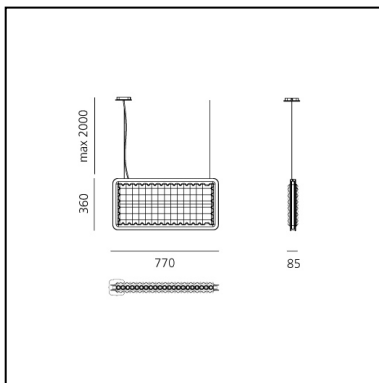
Canopy + 1 power cable L 2100mm - Dimmable DALI - Only for suspension AZ92000

Eggboard Baffle - 800x400 - Suspension/Ceiling - Direct Sharp - 4000K - Dimmable DALI - Green

Progetto CMR - Giacobone &
Roj



IP20 (E) CE Dimmerable: +0-



LUMINAIRE

- Watt: **11W**
- Delivered lumen output: **691lm**
- CCT: **4000K**
- Efficiency: **71%**
- Efficacy: **62.84lm/W**
- CRI: **90**

DESCRIPTION

The entire Eggboard collection is based on the principle of acoustic absorption to limit sound reverberation, particularly with respect to human voice frequencies. A vertical suspension and a number of panels with grazing light intended for wall or ceiling installation are the new elements making up the lightscape and ensuring perfect environmental quality. They both work freely on the lighting performances that can be combined with the acoustic element. The suspension version can combine indirect diffused light with direct controlled light thanks to the patented Eggboard Matrix optical units. In the wall and ceiling versions, grazing light can be associated on each side.

FEATURES

- Product Code: **AZ11451**
- Colour: **Green**
- Installation: **CeilingSuspension**
- Series: **Architectural Indoor**
- Environment: **Indoor**
- design by: **Progetto CMR - Giacobone & Roj**

DIMENSIONS

- Length: **800 mm**
- Width: **80 mm**
- Height: **400 mm**

SOURCES INCLUDED

- Category: **Led**
- Number: **1**
- Watt: **9W**
- Color Tolerance: **MacAdam 3SDCM**
- Service Life: **L90 (10K) > 60000h**

Notes

220/240Vac 50/60Hz electronic ballast included.

For the suspension version, order the ceiling rose or the BLL DALI interface for APP separately.
UGR<19

Accessories

NO
IMAGE
AVAILABLE

APP power supply kit for suspension + 1 power cable L 2100mm AZ92100

NO
IMAGE
AVAILABLE

BLL DALI interface for APP AZ92200

NO
IMAGE
AVAILABLE

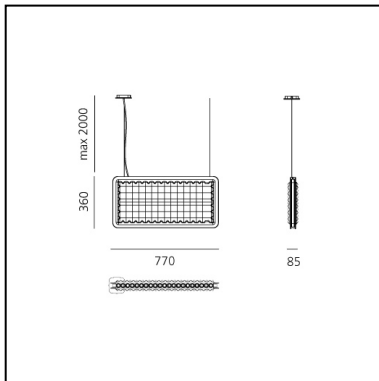
Canopy + 1 power cable L 2100mm - Dimmable DALI - Only for suspension AZ92000

Eggboard Baffle - 800x400 - Suspension/Ceiling - Direct Sharp - 4000K - Dimmable DALI - Grey

Progetto CMR - Giacobone &
Roj



IP20   Dimmerable: 



LUMINAIRE

- Watt: **11W**
- Delivered lumen output: **691lm**
- CCT: **4000K**
- Efficiency: **71%**
- Efficacy: **62.84lm/W**
- CRI: **90**

DESCRIPTION

The entire Eggboard collection is based on the principle of acoustic absorption to limit sound reverberation, particularly with respect to human voice frequencies. A vertical suspension and a number of panels with grazing light intended for wall or ceiling installation are the new elements making up the lightscape and ensuring perfect environmental quality. They both work freely on the lighting performances that can be combined with the acoustic element. The suspension version can combine indirect diffused light with direct controlled light thanks to the patented Eggboard Matrix optical units. In the wall and ceiling versions, grazing light can be associated on each side.

FEATURES

- Product Code: **AZ11491**
- Colour: **Grey**
- Installation: **CeilingSuspension**
- Series: **Architectural Indoor**
- Environment: **Indoor**
- design by: **Progetto CMR - Giacobone & Roj**

DIMENSIONS

- Length: **800 mm**
- Width: **80 mm**
- Height: **400 mm**

SOURCES INCLUDED

- Category: **Led**
- Number: **1**
- Watt: **9W**
- Color Tolerance: **MacAdam 3SDCM**
- Service Life: **L90 (10K) > 60000h**

Notes

220/240Vac 50/60Hz electronic ballast included.

For the suspension version, order the ceiling rose or the BLL DALI interface for APP separately.
UGR<19

Accessories

NO
IMAGE
AVAILABLE

APP power supply kit for suspension + 1 power cable L 2100mm AZ92100

NO
IMAGE
AVAILABLE

BLL DALI interface for APP AZ92200

NO
IMAGE
AVAILABLE

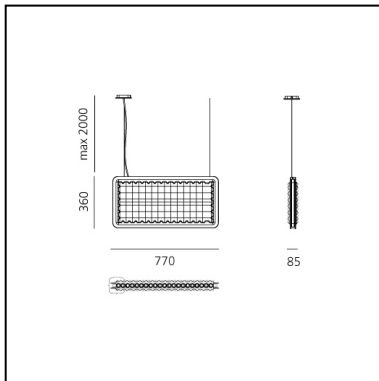
Canopy + 1 power cable L 2100mm - Dimmable DALI - Only for suspension AZ92000

Eggboard Baffle - 800x400 - Suspension/Ceiling - Direct Sharp - 4000K - Dimmable DALI - White Cream

Progetto CMR - Giacobone &
Roj



IP20   Dimmerable: 



LUMINAIRE

- Watt: **11W**
- Delivered lumen output: **691lm**
- CCT: **4000K**
- Efficiency: **71%**
- Efficacy: **62.84lm/W**
- CRI: **90**

DESCRIPTION

The entire Eggboard collection is based on the principle of acoustic absorption to limit sound reverberation, particularly with respect to human voice frequencies. A vertical suspension and a number of panels with grazing light intended for wall or ceiling installation are the new elements making up the lightscape and ensuring perfect environmental quality. They both work freely on the lighting performances that can be combined with the acoustic element. The suspension version can combine indirect diffused light with direct controlled light thanks to the patented Eggboard Matrix optical units. In the wall and ceiling versions, grazing light can be associated on each side.

FEATURES

- Product Code: **AZ11421**
- Colour: **White Cream**
- Installation: **CeilingSuspension**
- Series: **Architectural Indoor**
- Environment: **Indoor**
- design by: **Progetto CMR - Giacobone & Roj**

DIMENSIONS

- Length: **800 mm**
- Width: **80 mm**
- Height: **400 mm**

SOURCES INCLUDED

- Category: **Led**
- Number: **1**
- Watt: **9W**
- Color Tolerance: **MacAdam 3SDCM**
- Service Life: **L90 (10K) > 60000h**

Notes

220/240Vac 50/60Hz electronic ballast included.

For the suspension version, order the ceiling rose or the BLL DALI interface for APP separately.
UGR<19

Accessories

NO
IMAGE
AVAILABLE

APP power supply kit for suspension + 1 power cable L 2100mm AZ92100

NO
IMAGE
AVAILABLE

BLL DALI interface for APP AZ92200

NO
IMAGE
AVAILABLE

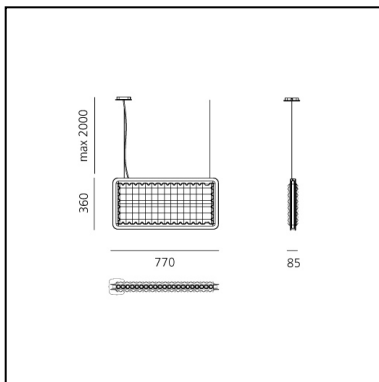
Canopy + 1 power cable L 2100mm - Dimmable DALI - Only for suspension AZ92000

Eggboard Baffle - 800x400 - Suspension - Direct Sharp + Indirect Diffused - 3000K - Dimmable DALI - Green

Progetto CMR - Giacobone &
Roj



IP20   Dimmerable: 



LUMINAIRE

- Watt: **29W**
- Delivered lumen output: **2327lm**
- CCT: **3000K**
- Efficiency: **71%**
- Efficacy: **80.23lm/W**
- CRI: **80**

DESCRIPTION

The entire Eggboard collection is based on the principle of acoustic absorption to limit sound reverberation, particularly with respect to human voice frequencies. A vertical suspension and a number of panels with grazing light intended for wall or ceiling installation are the new elements making up the lightscape and ensuring perfect environmental quality. They both work freely on the lighting performances that can be combined with the acoustic element. The suspension version can combine indirect diffused light with direct controlled light thanks to the patented Eggboard Matrix optical units. In the wall and ceiling versions, grazing light can be associated on each side.

FEATURES

- Product Code: **AZ12251**
- Colour: **Green**
- Installation: **Suspension**
- Series: **Architectural Indoor**
- Environment: **Indoor**
- design by: **Progetto CMR - Giacobone & Roj**

DIMENSIONS

- Length: **800 mm**
- Width: **80 mm**
- Height: **400 mm**

SOURCES INCLUDED

- Category: **Led**
- Number: **1**
- Watt: **9W**
- Color Tolerance: **MacAdam 3SDCM**
- Service Life: **L90 (10K) > 60000h**

Notes

220/240Vac 50/60Hz electronic ballast included.

For the suspension version, order the ceiling rose or the BLL DALI interface for APP separately.

For the ceiling version, order only the BLL DALI interface for APP separately.

UGR<19

- Category: **Led**
- Number: **1**
- Watt: **17W**
- Color Tolerance: **MacAdam 3SDCM**
- Service Life: **L90 (10K) > 60000h**

Accessories

NO
IMAGE
AVAILABLE

APP power supply kit for suspension + 1 power cable L 2100mm AZ92100

NO
IMAGE
AVAILABLE

BLL DALI interface for APP AZ92200

NO
IMAGE
AVAILABLE

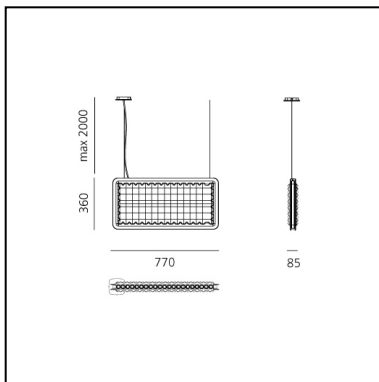
Canopy + 1 power cable L 2100mm - Dimmable DALI - Only for suspension AZ92000

Eggboard Baffle - 800x400 - Suspension - Direct Sharp + Indirect Diffused - 3000K - Dimmable DALI - Grey

Progetto CMR - Giacobone &
Roj



IP20   Dimmerable: 



LUMINAIRE

- Watt: **29W**
- Delivered lumen output: **2327lm**
- CCT: **3000K**
- Efficiency: **71%**
- Efficacy: **80.23lm/W**
- CRI: **80**

DESCRIPTION

The entire Eggboard collection is based on the principle of acoustic absorption to limit sound reverberation, particularly with respect to human voice frequencies. A vertical suspension and a number of panels with grazing light intended for wall or ceiling installation are the new elements making up the lightscape and ensuring perfect environmental quality. They both work freely on the lighting performances that can be combined with the acoustic element. The suspension version can combine indirect diffused light with direct controlled light thanks to the patented Eggboard Matrix optical units. In the wall and ceiling versions, grazing light can be associated on each side.

FEATURES

- Product Code: **AZ12291**
- Colour: **Grey**
- Installation: **Suspension**
- Series: **Architectural Indoor**
- Environment: **Indoor**
- design by: **Progetto CMR - Giacobone & Roj**

DIMENSIONS

- Length: **800 mm**
- Width: **80 mm**
- Height: **400 mm**

SOURCES INCLUDED

- Category: **Led**
- Number: **1**
- Watt: **9W**
- Color Tolerance: **MacAdam 3SDCM**
- Service Life: **L90 (10K) > 60000h**

Notes

220/240Vac 50/60Hz electronic ballast included.

For the suspension version, order the ceiling rose or the BLL DALI interface for APP separately.

For the ceiling version, order only the BLL DALI interface for APP separately.

UGR<19

- Category: **Led**
- Number: **1**
- Watt: **17W**
- Color Tolerance: **MacAdam 3SDCM**
- Service Life: **L90 (10K) > 60000h**

Accessories

NO
IMAGE
AVAILABLE

APP power supply kit for suspension + 1 power cable L 2100mm AZ92100

NO
IMAGE
AVAILABLE

BLL DALI interface for APP AZ92200

NO
IMAGE
AVAILABLE

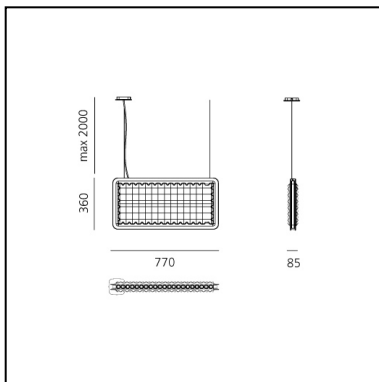
Canopy + 1 power cable L 2100mm - Dimmable DALI - Only for suspension AZ92000

Eggboard Baffle - 800x400 - Suspension - Direct Sharp + Indirect Diffused - 3000K - Dimmable DALI - White Cream

Progetto CMR - Giacobone &
Roj



IP20   Dimmerable: 



LUMINAIRE

- Watt: **29W**
- Delivered lumen output: **2327lm**
- CCT: **3000K**
- Efficiency: **71%**
- Efficacy: **80.23lm/W**
- CRI: **80**

DESCRIPTION

The entire Eggboard collection is based on the principle of acoustic absorption to limit sound reverberation, particularly with respect to human voice frequencies. A vertical suspension and a number of panels with grazing light intended for wall or ceiling installation are the new elements making up the lightscape and ensuring perfect environmental quality. They both work freely on the lighting performances that can be combined with the acoustic element. The suspension version can combine indirect diffused light with direct controlled light thanks to the patented Eggboard Matrix optical units. In the wall and ceiling versions, grazing light can be associated on each side.

FEATURES

- Product Code: **AZ12221**
- Colour: **White Cream**
- Installation: **Suspension**
- Series: **Architectural Indoor**
- Environment: **Indoor**
- design by: **Progetto CMR - Giacobone & Roj**

DIMENSIONS

- Length: **800 mm**
- Width: **80 mm**
- Height: **400 mm**

SOURCES INCLUDED

- Category: **Led**
- Number: **1**
- Watt: **9W**
- Color Tolerance: **MacAdam 3SDCM**
- Service Life: **L90 (10K) > 60000h**

Notes

220/240Vac 50/60Hz electronic ballast included.

For the suspension version, order the ceiling rose or the BLL DALI interface for APP separately.

For the ceiling version, order only the BLL DALI interface for APP separately.

UGR<19

- Category: **Led**
- Number: **1**
- Watt: **17W**
- Color Tolerance: **MacAdam 3SDCM**
- Service Life: **L90 (10K) > 60000h**

Accessories

NO
IMAGE
AVAILABLE

APP power supply kit for suspension + 1 power cable L 2100mm AZ92100

NO
IMAGE
AVAILABLE

BLL DALI interface for APP AZ92200

NO
IMAGE
AVAILABLE

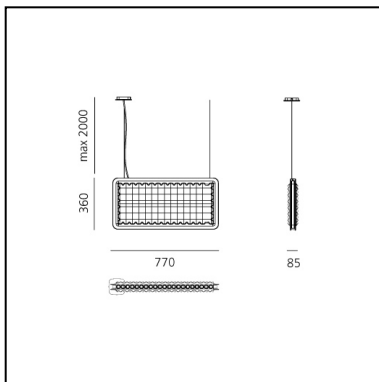
Canopy + 1 power cable L 2100mm - Dimmable DALI - Only for suspension AZ92000

Eggboard Baffle - 800x400 - Suspension - Direct Sharp + Indirect Diffused - 4000K - Dimmable DALI - Green

Progetto CMR - Giacobone &
Roj



IP20  Dimmerable: 



LUMINAIRE

- Watt: **29W**
- Delivered lumen output: **2425lm**
- CCT: **4000K**
- Efficiency: **71%**
- Efficacy: **83.62lm/W**
- CRI: **80**
- Dimmable Typology: **Dali**

DESCRIPTION

The entire Eggboard collection is based on the principle of acoustic absorption to limit sound reverberation, particularly with respect to human voice frequencies. A vertical suspension and a number of panels with grazing light intended for wall or ceiling installation are the new elements making up the lightscape and ensuring perfect environmental quality. They both work freely on the lighting performances that can be combined with the acoustic element. The suspension version can combine indirect diffused light with direct controlled light thanks to the patented Eggboard Matrix optical units. In the wall and ceiling versions, grazing light can be associated on each side.

FEATURES

- Product Code: **AZ12451**
- Colour: **Green**
- Installation: **Suspension**
- Series: **Architectural Indoor**
- Environment: **Indoor**
- design by: **Progetto CMR - Giacobone & Roj**

DIMENSIONS

- Length: **800 mm**
- Width: **80 mm**
- Height: **400 mm**

SOURCES INCLUDED

- Category: **Led**
- Number: **1**
- Watt: **9W**
- Color Tolerance: **MacAdam 3SDCM**
- Service Life: **L90 (10K) > 60000h**

Notes

220/240Vac 50/60Hz electronic ballast included.

For the suspension version, order the ceiling rose or the BLL DALI interface for APP separately.

For the ceiling version, order only the BLL DALI interface for APP separately.

UGR<19

- Category: **Led**
- Number: **1**
- Watt: **17W**
- Color Tolerance: **MacAdam 3SDCM**
- Service Life: **L90 (10K) > 60000h**

Accessories

NO
IMAGE
AVAILABLE

APP power supply kit for suspension + 1 power cable L 2100mm AZ92100

NO
IMAGE
AVAILABLE

BLL DALI interface for APP AZ92200

NO
IMAGE
AVAILABLE

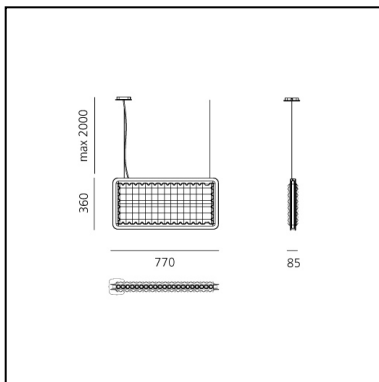
Canopy + 1 power cable L 2100mm - Dimmable DALI - Only for suspension AZ92000

Eggboard Baffle - 800x400 - Suspension - Direct Sharp + Indirect Diffused - 4000K - Dimmable DALI - Grey

Progetto CMR - Giacobone &
Roj



IP20   Dimmerable: 



LUMINAIRE

- Watt: **29W**
- Delivered lumen output: **2425lm**
- CCT: **4000K**
- Efficiency: **71%**
- Efficacy: **83.62lm/W**
- CRI: **80**

DESCRIPTION

The entire Eggboard collection is based on the principle of acoustic absorption to limit sound reverberation, particularly with respect to human voice frequencies. A vertical suspension and a number of panels with grazing light intended for wall or ceiling installation are the new elements making up the lightscape and ensuring perfect environmental quality. They both work freely on the lighting performances that can be combined with the acoustic element. The suspension version can combine indirect diffused light with direct controlled light thanks to the patented Eggboard Matrix optical units. In the wall and ceiling versions, grazing light can be associated on each side.

FEATURES

- Product Code: **AZ12491**
- Colour: **Grey**
- Installation: **Suspension**
- Series: **Architectural Indoor**
- Environment: **Indoor**
- design by: **Progetto CMR - Giacobone & Roj**

DIMENSIONS

- Length: **800 mm**
- Width: **80 mm**
- Height: **400 mm**

SOURCES INCLUDED

- Category: **Led**
- Number: **1**
- Watt: **9W**
- Color Tolerance: **MacAdam 3SDCM**
- Service Life: **L90 (10K) > 60000h**

Notes

220/240Vac 50/60Hz electronic ballast included.

For the suspension version, order the ceiling rose or the BLL DALI interface for APP separately.

For the ceiling version, order only the BLL DALI interface for APP separately.

UGR<19

- Category: **Led**
- Number: **1**
- Watt: **17W**
- Color Tolerance: **MacAdam 3SDCM**
- Service Life: **L90 (10K) > 60000h**

Accessories

NO
IMAGE
AVAILABLE

APP power supply kit for suspension + 1 power cable L 2100mm AZ92100

NO
IMAGE
AVAILABLE

BLL DALI interface for APP AZ92200

NO
IMAGE
AVAILABLE

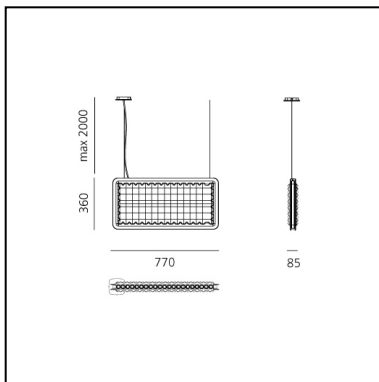
Canopy + 1 power cable L 2100mm - Dimmable DALI - Only for suspension AZ92000

Eggboard Baffle - 800x400 - Suspension - Direct Sharp + Indirect Diffused - 4000K - Dimmable DALI - White Cream

Progetto CMR - Giacobone &
Roj



IP20   Dimmerable: 



LUMINAIRE

- Watt: **29W**
- Delivered lumen output: **2425lm**
- CCT: **4000K**
- Efficiency: **71%**
- Efficacy: **83.62lm/W**
- CRI: **80**

DESCRIPTION

The entire Eggboard collection is based on the principle of acoustic absorption to limit sound reverberation, particularly with respect to human voice frequencies. A vertical suspension and a number of panels with grazing light intended for wall or ceiling installation are the new elements making up the lightscape and ensuring perfect environmental quality. They both work freely on the lighting performances that can be combined with the acoustic element. The suspension version can combine indirect diffused light with direct controlled light thanks to the patented Eggboard Matrix optical units. In the wall and ceiling versions, grazing light can be associated on each side.

FEATURES

- Product Code: **AZ12421**
- Colour: **White Cream**
- Installation: **Suspension**
- Series: **Architectural Indoor**
- Environment: **Indoor**
- design by: **Progetto CMR - Giacobone & Roj**

DIMENSIONS

- Length: **800 mm**
- Width: **80 mm**
- Height: **400 mm**

SOURCES INCLUDED

- Category: **Led**
- Number: **1**
- Watt: **9W**
- Color Tolerance: **MacAdam 3SDCM**
- Service Life: **L90 (10K) > 60000h**

Notes

220/240Vac 50/60Hz electronic ballast included.

For the suspension version, order the ceiling rose or the BLL DALI interface for APP separately.

For the ceiling version, order only the BLL DALI interface for APP separately.

UGR<19

- Category: **Led**
- Number: **1**
- Watt: **17W**
- Color Tolerance: **MacAdam 3SDCM**
- Service Life: **L90 (10K) > 60000h**

Accessories

NO
IMAGE
AVAILABLE

APP power supply kit for suspension + 1 power cable L 2100mm AZ92100

NO
IMAGE
AVAILABLE

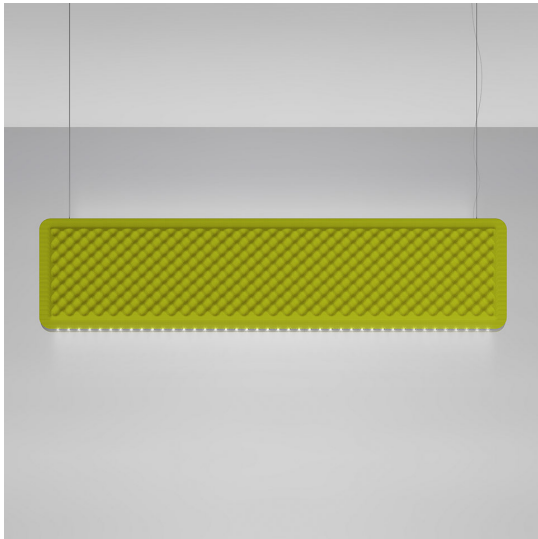
BLL DALI interface for APP AZ92200

NO
IMAGE
AVAILABLE

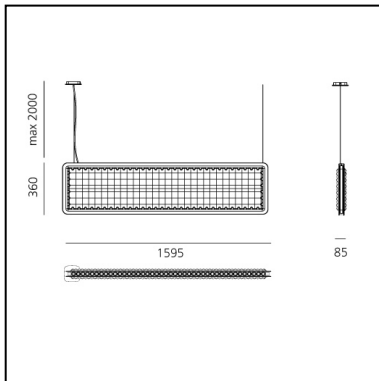
Canopy + 1 power cable L 2100mm - Dimmable DALI - Only for suspension AZ92000

Eggboard Baffle - 1600x400 - Suspension/Ceiling - Direct Sharp - 3000K - Dimmable DALI - Green

Progetto CMR - Giacobone &
Roj



IP20  Dimmerable: 



LUMINAIRE

- Watt: **21W**
- Delivered lumen output: **1468lm**
- CCT: **3000K**
- Efficiency: **71%**
- Efficacy: **69.89lm/W**
- CRI: **90**
- Dimmable Typology: **Dali**

DESCRIPTION

The entire Eggboard collection is based on the principle of acoustic absorption to limit sound reverberation, particularly with respect to human voice frequencies. A vertical suspension and a number of panels with grazing light intended for wall or ceiling installation are the new elements making up the lightscape and ensuring perfect environmental quality. They both work freely on the lighting performances that can be combined with the acoustic element. The suspension version can combine indirect diffused light with direct controlled light thanks to the patented Eggboard Matrix optical units. In the wall and ceiling versions, grazing light can be associated on each side.

FEATURES

- Product Code: **AZ21251**
- Colour: **Green**
- Installation: **Suspension**
- Series: **Architectural Indoor**
- Environment: **Indoor**
- design by: **Progetto CMR - Giacobone & Roj**

DIMENSIONS

- Length: **1600 mm**
- Width: **80 mm**
- Height: **400 mm**

SOURCES INCLUDED

- Category: **Led**
- Number: **1**
- Watt: **20W**
- CRI: **90**
- Color Tolerance: **MacAdam 3SDCM**
- Service Life: **L90 (10K) > 60000h**

Notes

220/240Vac 50/60Hz electronic ballast included.

For the suspension version, order the ceiling rose or the BLL DALI interface for APP separately.
UGR<19

Accessories

NO
IMAGE
AVAILABLE

APP power supply kit for suspension + 1 power cable L 2100mm AZ92100

NO
IMAGE
AVAILABLE

BLL DALI interface for APP AZ92200

NO
IMAGE
AVAILABLE

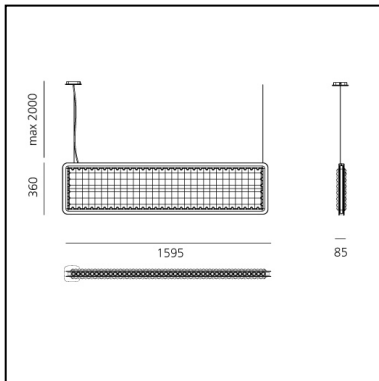
Canopy + 1 power cable L 2100mm - Dimmable DALI - Only for suspension AZ92000

Eggboard Baffle - 1600x400 - Suspension/Ceiling - Direct Sharp - 3000K - Dimmable DALI - Grey

Progetto CMR - Giacobone &
Roj



IP20  Dimmerable: 



LUMINAIRE

- Watt: **21W**
- Delivered lumen output: **1468lm**
- CCT: **3000K**
- Efficiency: **71%**
- Efficacy: **69.89lm/W**
- CRI: **90**
- Dimmable Typology: **Dali**

DESCRIPTION

The entire Eggboard collection is based on the principle of acoustic absorption to limit sound reverberation, particularly with respect to human voice frequencies. A vertical suspension and a number of panels with grazing light intended for wall or ceiling installation are the new elements making up the lightscape and ensuring perfect environmental quality. They both work freely on the lighting performances that can be combined with the acoustic element. The suspension version can combine indirect diffused light with direct controlled light thanks to the patented Eggboard Matrix optical units. In the wall and ceiling versions, grazing light can be associated on each side.

FEATURES

- Product Code: **AZ21291**
- Colour: **Grey**
- Installation: **Suspension**
- Series: **Architectural Indoor**
- Environment: **Indoor**
- design by: **Progetto CMR - Giacobone & Roj**

DIMENSIONS

- Length: **1600 mm**
- Width: **80 mm**
- Height: **400 mm**

SOURCES INCLUDED

- Category: **Led**
- Number: **1**
- Watt: **20W**
- CRI: **90**
- Color Tolerance: **MacAdam 3SDCM**
- Service Life: **L90 (10K) > 60000h**

Notes

220/240Vac 50/60Hz electronic ballast included.

For the suspension version, order the ceiling rose or the BLL DALI interface for APP separately.
UGR<19

Accessories

NO
IMAGE
AVAILABLE

APP power supply kit for suspension + 1 power cable L 2100mm AZ92100

NO
IMAGE
AVAILABLE

BLL DALI interface for APP AZ92200

NO
IMAGE
AVAILABLE

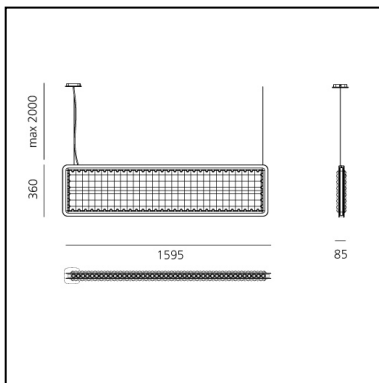
Canopy + 1 power cable L 2100mm - Dimmable DALI - Only for suspension AZ92000

Eggboard Baffle - 1600x400 - Suspension/Ceiling - Direct Sharp - 3000K - Dimmable DALI - White Cream

Progetto CMR - Giacobone &
Roj



IP20  Dimmerable: 



LUMINAIRE

- Watt: **21W**
- Delivered lumen output: **1468lm**
- CCT: **3000K**
- Efficiency: **71%**
- Efficacy: **69.89lm/W**
- CRI: **90**
- Dimmable Typology: **Dali**

DESCRIPTION

The entire Eggboard collection is based on the principle of acoustic absorption to limit sound reverberation, particularly with respect to human voice frequencies. A vertical suspension and a number of panels with grazing light intended for wall or ceiling installation are the new elements making up the lightscape and ensuring perfect environmental quality. They both work freely on the lighting performances that can be combined with the acoustic element. The suspension version can combine indirect diffused light with direct controlled light thanks to the patented Eggboard Matrix optical units. In the wall and ceiling versions, grazing light can be associated on each side.

FEATURES

- Product Code: **AZ21221**
- Colour: **White Cream**
- Installation: **Suspension**
- Series: **Architectural Indoor**
- Environment: **Indoor**
- design by: **Progetto CMR - Giacobone & Roj**

DIMENSIONS

- Length: **1600 mm**
- Width: **80 mm**
- Height: **400 mm**

SOURCES INCLUDED

- Category: **Led**
- Number: **1**
- Watt: **20W**
- CRI: **90**
- Color Tolerance: **MacAdam 3SDCM**
- Service Life: **L90 (10K) > 60000h**

Notes

220/240Vac 50/60Hz electronic ballast included.

For the suspension version, order the ceiling rose or the BLL DALI interface for APP separately.
UGR<19

Accessories

NO
IMAGE
AVAILABLE

APP power supply kit for suspension + 1 power cable L 2100mm AZ92100

NO
IMAGE
AVAILABLE

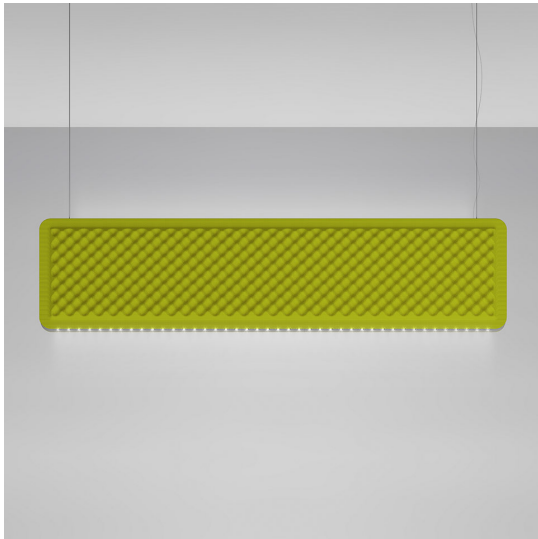
BLL DALI interface for APP AZ92200

NO
IMAGE
AVAILABLE

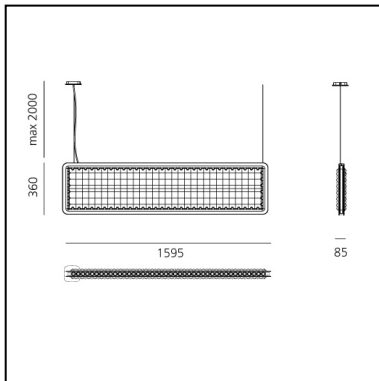
Canopy + 1 power cable L 2100mm - Dimmable DALI - Only for suspension AZ92000

Eggboard Baffle - 1600x400 - Suspension/Ceiling - Direct Sharp - 4000K - Dimmable DALI - Green

Progetto CMR - Giacobone &
Roj



IP20  Dimmerable: 



LUMINAIRE

- Watt: **21W**
- Delivered lumen output: **1521lm**
- CCT: **4000K**
- Efficiency: **71%**
- Efficacy: **72.42lm/W**
- CRI: **90**
- Dimmable Typology: **Dali**

DESCRIPTION

The entire Eggboard collection is based on the principle of acoustic absorption to limit sound reverberation, particularly with respect to human voice frequencies. A vertical suspension and a number of panels with grazing light intended for wall or ceiling installation are the new elements making up the lightscape and ensuring perfect environmental quality. They both work freely on the lighting performances that can be combined with the acoustic element. The suspension version can combine indirect diffused light with direct controlled light thanks to the patented Eggboard Matrix optical units. In the wall and ceiling versions, grazing light can be associated on each side.

FEATURES

- Product Code: **AZ21451**
- Colour: **Green**
- Installation: **Suspension**
- Series: **Architectural Indoor**
- Environment: **Indoor**
- design by: **Progetto CMR - Giacobone & Roj**

DIMENSIONS

- Length: **1600 mm**
- Width: **80 mm**
- Height: **400 mm**

SOURCES INCLUDED

- Category: **Led**
- Number: **1**
- Watt: **20W**
- CRI: **90**
- Color Tolerance: **MacAdam 3SDCM**
- Service Life: **L90 (10K) > 60000h**

Notes

220/240Vac 50/60Hz electronic ballast included.

For the suspension version, order the ceiling rose or the BLL DALI interface for APP separately.
UGR<19

Accessories

NO
IMAGE
AVAILABLE

APP power supply kit for suspension + 1 power cable L 2100mm AZ92100

NO
IMAGE
AVAILABLE

BLL DALI interface for APP AZ92200

NO
IMAGE
AVAILABLE

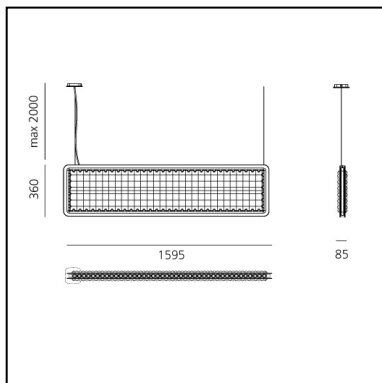
Canopy + 1 power cable L 2100mm - Dimmable DALI - Only for suspension AZ92000

Eggboard Baffle - 1600x400 - Suspension/Ceiling - Direct Sharp - 4000K - Dimmable DALI - Grey

Progetto CMR - Giacobone &
Roj



IP20  Dimmerable: 



LUMINAIRE

- Watt: **21W**
- Delivered lumen output: **1521lm**
- CCT: **4000K**
- Efficiency: **71%**
- Efficacy: **72.42lm/W**
- CRI: **90**
- Dimmable Typology: **Dali**

DESCRIPTION

The entire Eggboard collection is based on the principle of acoustic absorption to limit sound reverberation, particularly with respect to human voice frequencies. A vertical suspension and a number of panels with grazing light intended for wall or ceiling installation are the new elements making up the lightscape and ensuring perfect environmental quality. They both work freely on the lighting performances that can be combined with the acoustic element. The suspension version can combine indirect diffused light with direct controlled light thanks to the patented Eggboard Matrix optical units. In the wall and ceiling versions, grazing light can be associated on each side.

FEATURES

- Product Code: **AZ21491**
- Colour: **Grey**
- Installation: **Suspension**
- Series: **Architectural Indoor**
- Environment: **Indoor**
- design by: **Progetto CMR - Giacobone & Roj**

DIMENSIONS

- Length: **1600 mm**
- Width: **80 mm**
- Height: **400 mm**

SOURCES INCLUDED

- Category: **Led**
- Number: **1**
- Watt: **20W**
- CRI: **90**
- Color Tolerance: **MacAdam 3SDCM**
- Service Life: **L90 (10K) > 60000h**

Notes

220/240Vac 50/60Hz electronic ballast included.

For the suspension version, order the ceiling rose or the BLL DALI interface for APP separately.
UGR<19

Accessories

NO
IMAGE
AVAILABLE

APP power supply kit for suspension + 1 power cable L 2100mm AZ92100

NO
IMAGE
AVAILABLE

BLL DALI interface for APP AZ92200

NO
IMAGE
AVAILABLE

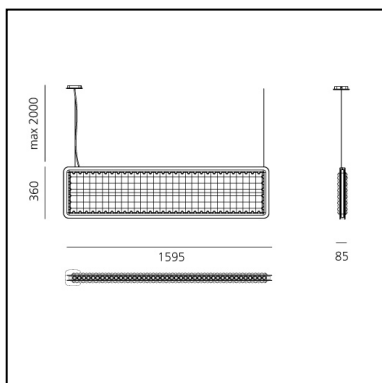
Canopy + 1 power cable L 2100mm - Dimmable DALI - Only for suspension AZ92000

Eggboard Baffle - 1600x400 - Suspension/Ceiling - Direct Sharp - 4000K - Dimmable DALI - White Cream

Progetto CMR - Giacobone &
Roj



IP20  Dimmerable: 



LUMINAIRE

- Watt: **21W**
- Delivered lumen output: **1521lm**
- CCT: **4000K**
- Efficiency: **71%**
- Efficacy: **72.42lm/W**
- CRI: **90**
- Dimmable Typology: **Dali**

DESCRIPTION

The entire Eggboard collection is based on the principle of acoustic absorption to limit sound reverberation, particularly with respect to human voice frequencies. A vertical suspension and a number of panels with grazing light intended for wall or ceiling installation are the new elements making up the lightscape and ensuring perfect environmental quality. They both work freely on the lighting performances that can be combined with the acoustic element. The suspension version can combine indirect diffused light with direct controlled light thanks to the patented Eggboard Matrix optical units. In the wall and ceiling versions, grazing light can be associated on each side.

FEATURES

- Product Code: **AZ21421**
- Colour: **White Cream**
- Installation: **Suspension**
- Series: **Architectural Indoor**
- Environment: **Indoor**
- design by: **Progetto CMR - Giacobone & Roj**

DIMENSIONS

- Length: **1600 mm**
- Width: **80 mm**
- Height: **400 mm**

SOURCES INCLUDED

- Category: **Led**
- Number: **1**
- Watt: **20W**
- CRI: **90**
- Color Tolerance: **MacAdam 3SDCM**
- Service Life: **L90 (10K) > 60000h**

Notes

220/240Vac 50/60Hz electronic ballast included.

For the suspension version, order the ceiling rose or the BLL DALI interface for APP separately.
UGR<19

Accessories

NO
IMAGE
AVAILABLE

APP power supply kit for suspension + 1 power cable L 2100mm AZ92100

NO
IMAGE
AVAILABLE

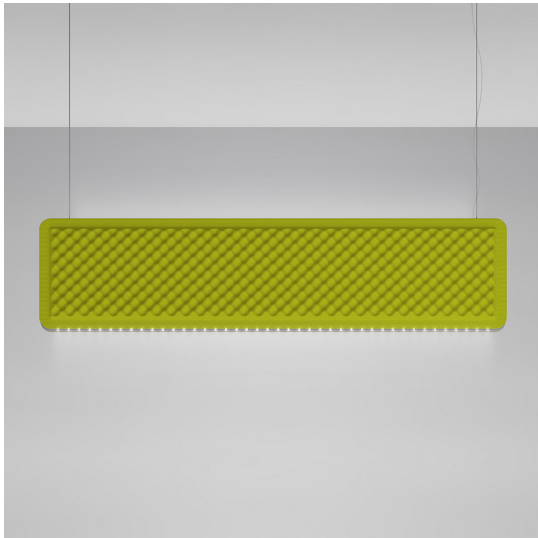
BLL DALI interface for APP AZ92200

NO
IMAGE
AVAILABLE

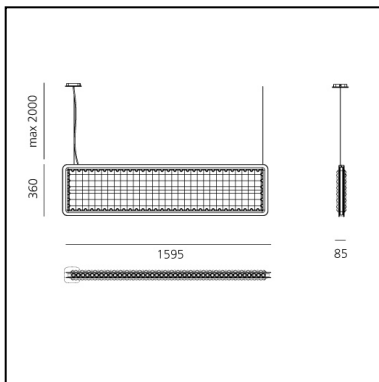
Canopy + 1 power cable L 2100mm - Dimmable DALI - Only for suspension AZ92000

Eggboard Baffle - 1600x400 - Suspension - Direct Sharp + Indirect Diffused - 3000K - Dimmable DALI - Green

Progetto CMR - Giacobone &
Roj



IP20  Dimmerable: 



LUMINAIRE

- Watt: **53W**
- Delivered lumen output: **4787lm**
- CCT: **3000K**
- Efficiency: **71%**
- Efficacy: **90.32lm/W**
- CRI: **80**
- Dimmable Typology: **Dali**

DESCRIPTION

The entire Eggboard collection is based on the principle of acoustic absorption to limit sound reverberation, particularly with respect to human voice frequencies. A vertical suspension and a number of panels with grazing light intended for wall or ceiling installation are the new elements making up the lightscape and ensuring perfect environmental quality. They both work freely on the lighting performances that can be combined with the acoustic element. The suspension version can combine indirect diffused light with direct controlled light thanks to the patented Eggboard Matrix optical units. In the wall and ceiling versions, grazing light can be associated on each side.

FEATURES

- Product Code: **AZ22251**
- Colour: **Green**
- Installation: **CeilingSuspension**
- Series: **Architectural Indoor**
- Environment: **Indoor**
- design by: **Progetto CMR - Giacobone & Roj**

DIMENSIONS

- Length: **1600 mm**
- Width: **80 mm**
- Height: **400 mm**

SOURCES INCLUDED

- Category: **Led**
- Number: **1**
- Watt: **20W**
- CRI: **90**
- Color Tolerance: **MacAdam 3SDCM**
- Service Life: **L90 (10K) > 60000h**

Notes

220/240Vac 50/60Hz electronic ballast included.

For the suspension version, order the ceiling rose or the BLL DALI interface for APP separately.

For the ceiling version, order only the BLL DALI interface for APP separately.

UGR<19

- Category: **Led**
- Number: **1**
- Watt: **41W**
- CRI: **90**
- Color Tolerance: **MacAdam 3SDCM**
- Service Life: **L90 (10K) > 60000h**

Accessories

NO
IMAGE
AVAILABLE

APP power supply kit for suspension + 1 power cable L 2100mm AZ92100

NO
IMAGE
AVAILABLE

BLL DALI interface for APP AZ92200

NO
IMAGE
AVAILABLE

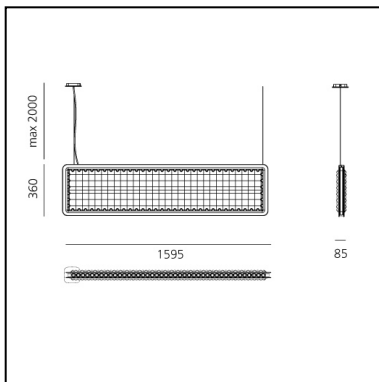
Canopy + 1 power cable L 2100mm - Dimmable DALI - Only for suspension AZ92000

Eggboard Baffle - 1600x400 - Suspension - Direct Sharp + Indirect Diffused - 3000K - Dimmable DALI - Grey

Progetto CMR - Giacobone &
Roj



IP20  Dimmerable: 



LUMINAIRE

- Watt: **53W**
- Delivered lumen output: **4787lm**
- CCT: **3000K**
- Efficiency: **71%**
- Efficacy: **90.32lm/W**
- CRI: **80**
- Dimmable Typology: **Dali**

DESCRIPTION

The entire Eggboard collection is based on the principle of acoustic absorption to limit sound reverberation, particularly with respect to human voice frequencies. A vertical suspension and a number of panels with grazing light intended for wall or ceiling installation are the new elements making up the lightscape and ensuring perfect environmental quality. They both work freely on the lighting performances that can be combined with the acoustic element. The suspension version can combine indirect diffused light with direct controlled light thanks to the patented Eggboard Matrix optical units. In the wall and ceiling versions, grazing light can be associated on each side.

FEATURES

- Product Code: **AZ22291**
- Colour: **Grey**
- Installation: **CeilingSuspension**
- Series: **Architectural Indoor**
- Environment: **Indoor**
- design by: **Progetto CMR - Giacobone & Roj**

DIMENSIONS

- Length: **1600 mm**
- Width: **80 mm**
- Height: **400 mm**

SOURCES INCLUDED

- Category: **Led**
- Number: **1**
- Watt: **20W**
- CRI: **90**
- Color Tolerance: **MacAdam 3SDCM**
- Service Life: **L90 (10K) > 60000h**

Notes

220/240Vac 50/60Hz electronic ballast included.

For the suspension version, order the ceiling rose or the BLL DALI interface for APP separately.

For the ceiling version, order only the BLL DALI interface for APP separately.
UGR<19

- Category: **Led**
- Number: **1**
- Watt: **41W**
- CRI: **90**
- Color Tolerance: **MacAdam 3SDCM**
- Service Life: **L90 (10K) > 60000h**

Accessories

NO
IMAGE
AVAILABLE

APP power supply kit for suspension + 1 power cable L 2100mm AZ92100

NO
IMAGE
AVAILABLE

BLL DALI interface for APP AZ92200

NO
IMAGE
AVAILABLE

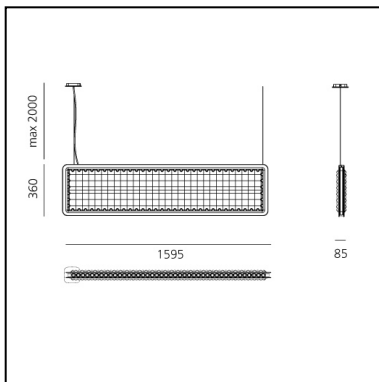
Canopy + 1 power cable L 2100mm - Dimmable DALI - Only for suspension AZ92000

Eggboard Baffle - 1600x400 - Suspension - Direct Sharp + Indirect Diffused - 3000K - Dimmable DALI - White Cream

Progetto CMR - Giacobone &
Roj



IP20  Dimmerable: 



LUMINAIRE

- Watt: **53W**
- Delivered lumen output: **4787lm**
- CCT: **3000K**
- Efficiency: **71%**
- Efficacy: **90.32lm/W**
- CRI: **80**
- Dimmable Typology: **Dali**

DESCRIPTION

The entire Eggboard collection is based on the principle of acoustic absorption to limit sound reverberation, particularly with respect to human voice frequencies. A vertical suspension and a number of panels with grazing light intended for wall or ceiling installation are the new elements making up the lightscape and ensuring perfect environmental quality. They both work freely on the lighting performances that can be combined with the acoustic element. The suspension version can combine indirect diffused light with direct controlled light thanks to the patented Eggboard Matrix optical units. In the wall and ceiling versions, grazing light can be associated on each side.

FEATURES

- Product Code: **AZ22221**
- Colour: **White Cream**
- Installation: **CeilingSuspension**
- Series: **Architectural Indoor**
- Environment: **Indoor**
- design by: **Progetto CMR - Giacobone & Roj**

DIMENSIONS

- Length: **1600 mm**
- Width: **80 mm**
- Height: **400 mm**

SOURCES INCLUDED

- Category: **Led**
- Number: **1**
- Watt: **20W**
- CRI: **90**
- Color Tolerance: **MacAdam 3SDCM**
- Service Life: **L90 (10K) > 60000h**

Notes

220/240Vac 50/60Hz electronic ballast included.

For the suspension version, order the ceiling rose or the BLL DALI interface for APP separately.

For the ceiling version, order only the BLL DALI interface for APP separately.

UGR<19

- Category: **Led**
- Number: **1**
- Watt: **41W**
- CRI: **90**
- Color Tolerance: **MacAdam 3SDCM**
- Service Life: **L90 (10K) > 60000h**

Accessories

NO
IMAGE
AVAILABLE

APP power supply kit for suspension + 1 power cable L 2100mm AZ92100

NO
IMAGE
AVAILABLE

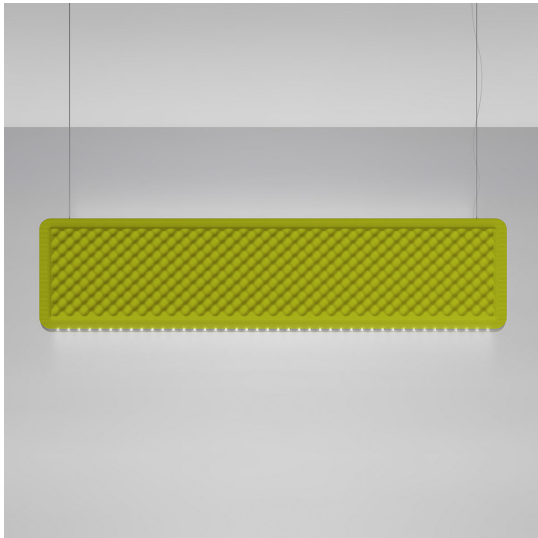
BLL DALI interface for APP AZ92200

NO
IMAGE
AVAILABLE

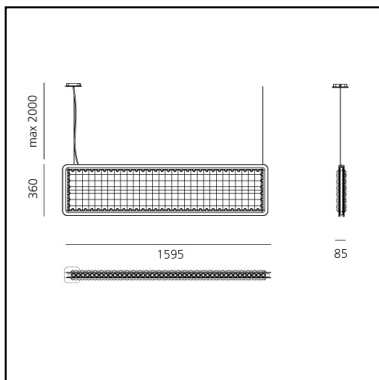
Canopy + 1 power cable L 2100mm - Dimmable DALI - Only for suspension AZ92000

Eggboard Baffle - 1600x400 - Suspension - Direct Sharp + Indirect Diffused - 4000K - Dimmable DALI - Green

Progetto CMR - Giacobone &
Roj



IP20  Dimmerable: 



LUMINAIRE

- Watt: **53W**
- Delivered lumen output: **4988lm**
- CCT: **4000K**
- Efficiency: **71%**
- Efficacy: **94.12lm/W**
- CRI: **80**
- Dimmable Typology: **Dali**

DESCRIPTION

The entire Eggboard collection is based on the principle of acoustic absorption to limit sound reverberation, particularly with respect to human voice frequencies. A vertical suspension and a number of panels with grazing light intended for wall or ceiling installation are the new elements making up the lightscape and ensuring perfect environmental quality. They both work freely on the lighting performances that can be combined with the acoustic element. The suspension version can combine indirect diffused light with direct controlled light thanks to the patented Eggboard Matrix optical units. In the wall and ceiling versions, grazing light can be associated on each side.

FEATURES

- Product Code: **AZ22451**
- Colour: **Green**
- Installation: **CeilingSuspension**
- Series: **Architectural Indoor**
- Environment: **Indoor**
- design by: **Progetto CMR - Giacobone & Roj**

DIMENSIONS

- Length: **1600 mm**
- Width: **80 mm**
- Height: **400 mm**

SOURCES INCLUDED

- Category: **Led**
- Number: **1**
- Watt: **20W**
- CRI: **90**
- Color Tolerance: **MacAdam 3SDCM**
- Service Life: **L90 (10K) > 60000h**

Notes

220/240Vac 50/60Hz electronic ballast included.

For the suspension version, order the ceiling rose or the BLL DALI interface for APP separately.

For the ceiling version, order only the BLL DALI interface for APP separately.

UGR<19

- Category: **Led**
- Number: **1**
- Watt: **41W**
- CRI: **90**
- Color Tolerance: **MacAdam 3SDCM**
- Service Life: **L90 (10K) > 60000h**

Accessories

NO
IMAGE
AVAILABLE

APP power supply kit for suspension + 1 power cable L 2100mm AZ92100

NO
IMAGE
AVAILABLE

BLL DALI interface for APP AZ92200

NO
IMAGE
AVAILABLE

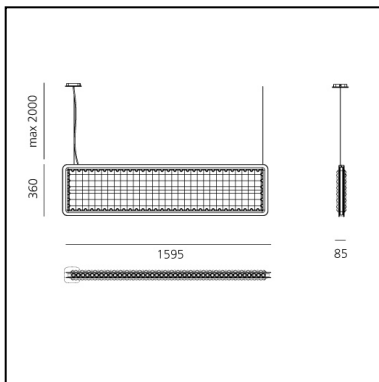
Canopy + 1 power cable L 2100mm - Dimmable DALI - Only for suspension AZ92000

Eggboard Baffle - 1600x400 - Suspension - Direct Sharp + Indirect Diffused - 4000K - Dimmable DALI - Grey

Progetto CMR - Giacobone &
Roj



IP20  Dimmerable: 



LUMINAIRE

- Watt: **53W**
- Delivered lumen output: **4988lm**
- CCT: **4000K**
- Efficiency: **71%**
- Efficacy: **94.12lm/W**
- CRI: **80**
- Dimmable Typology: **Dali**

DESCRIPTION

The entire Eggboard collection is based on the principle of acoustic absorption to limit sound reverberation, particularly with respect to human voice frequencies. A vertical suspension and a number of panels with grazing light intended for wall or ceiling installation are the new elements making up the lightscape and ensuring perfect environmental quality. They both work freely on the lighting performances that can be combined with the acoustic element. The suspension version can combine indirect diffused light with direct controlled light thanks to the patented Eggboard Matrix optical units. In the wall and ceiling versions, grazing light can be associated on each side.

FEATURES

- Product Code: **AZ22491**
- Colour: **Grey**
- Installation: **CeilingSuspension**
- Series: **Architectural Indoor**
- Environment: **Indoor**
- design by: **Progetto CMR - Giacobone & Roj**

DIMENSIONS

- Length: **1600 mm**
- Width: **80 mm**
- Height: **400 mm**

SOURCES INCLUDED

- Category: **Led**
- Number: **1**
- Watt: **20W**
- CRI: **90**
- Color Tolerance: **MacAdam 3SDCM**
- Service Life: **L90 (10K) > 60000h**

Notes

220/240Vac 50/60Hz electronic ballast included.

For the suspension version, order the ceiling rose or the BLL DALI interface for APP separately.

For the ceiling version, order only the BLL DALI interface for APP separately.

UGR<19

- Category: **Led**
- Number: **1**
- Watt: **41W**
- CRI: **90**
- Color Tolerance: **MacAdam 3SDCM**
- Service Life: **L90 (10K) > 60000h**

Accessories

NO
IMAGE
AVAILABLE

APP power supply kit for suspension + 1 power cable L 2100mm AZ92100

NO
IMAGE
AVAILABLE

BLL DALI interface for APP AZ92200

NO
IMAGE
AVAILABLE

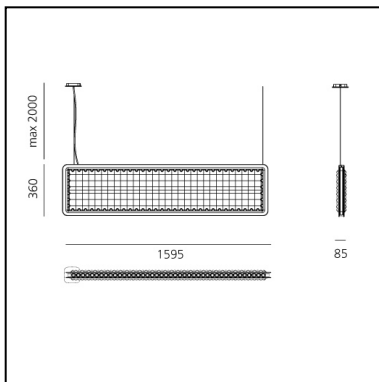
Canopy + 1 power cable L 2100mm - Dimmable DALI - Only for suspension AZ92000

Eggboard Baffle - 1600x400 - Suspension - Direct Sharp + Indirect Diffused - 4000K - Dimmable DALI - White Cream

Progetto CMR - Giacobone &
Roj



IP20  Dimmerable: 



LUMINAIRE

- Watt: **53W**
- Delivered lumen output: **4988lm**
- CCT: **4000K**
- Efficiency: **71%**
- Efficacy: **94.12lm/W**
- CRI: **80**
- Dimmable Typology: **Dali**

DESCRIPTION

The entire Eggboard collection is based on the principle of acoustic absorption to limit sound reverberation, particularly with respect to human voice frequencies. A vertical suspension and a number of panels with grazing light intended for wall or ceiling installation are the new elements making up the lightscape and ensuring perfect environmental quality. They both work freely on the lighting performances that can be combined with the acoustic element. The suspension version can combine indirect diffused light with direct controlled light thanks to the patented Eggboard Matrix optical units. In the wall and ceiling versions, grazing light can be associated on each side.

FEATURES

- Product Code: **AZ22421**
- Colour: **White Cream**
- Installation: **CeilingSuspension**
- Series: **Architectural Indoor**
- Environment: **Indoor**
- design by: **Progetto CMR - Giacobone & Roj**

DIMENSIONS

- Length: **1600 mm**
- Width: **80 mm**
- Height: **400 mm**

SOURCES INCLUDED

- Category: **Led**
- Number: **1**
- Watt: **20W**
- CRI: **90**
- Color Tolerance: **MacAdam 3SDCM**
- Service Life: **L90 (10K) > 60000h**

Notes

220/240Vac 50/60Hz electronic ballast included.

For the suspension version, order the ceiling rose or the BLL DALI interface for APP separately.

For the ceiling version, order only the BLL DALI interface for APP separately.

UGR<19

- Category: **Led**
- Number: **1**
- Watt: **41W**
- CRI: **90**
- Color Tolerance: **MacAdam 3SDCM**
- Service Life: **L90 (10K) > 60000h**

Accessories

NO
IMAGE
AVAILABLE

APP power supply kit for suspension + 1 power cable L 2100mm AZ92100

NO
IMAGE
AVAILABLE

BLL DALI interface for APP AZ92200

NO
IMAGE
AVAILABLE

Canopy + 1 power cable L 2100mm - Dimmable DALI - Only for suspension AZ92000