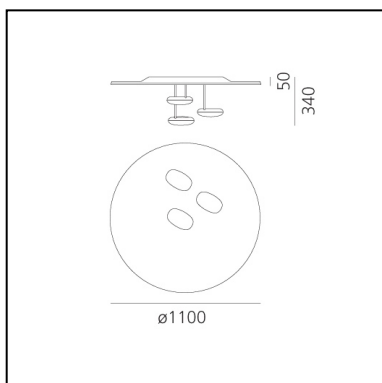


Droplet Ceiling LED 2700K

Ross Lovegrove



IP20      Dimmerable: +  -



LUMINAIRE

- Watt: **87W**
- Voltage: **220V-240V**
- Delivered lumen output: **3031lm**
- CCT: **2700K**
- Efficiency: **38%**
- Efficacy: **34.84lm/W**
- CRI: **90**
- Dimmable Typology: **Push**

DESCRIPTION

Droplet is a light that appears as a pool of liquid aluminium reflecting two light pebbles. It has been generated totally by digital means and freezes in time the act of ripples that cross each other to define reflective zones and acting as a form of liquid dichroic." Materials: die-cast aluminium lighting units; die-cast aluminium reflector.

FEATURES

- Product Code: **1474W10A**
- Colour: **Polished chrome / Aluminium**
- Installation: **Ceiling**
- Material: **Aluminium, steel**
- Series: **Design Collection, Hydro**
- Environment: **Indoor**
- Emission: **Indirect**
- design by: **Ross Lovegrove**

DIMENSIONS

- Height: **320 mm**
- Diameter: **1100 mm**
- Impact Resistance: **N/D**
- Glow Wire Test: **960°**

SOURCES INCLUDED

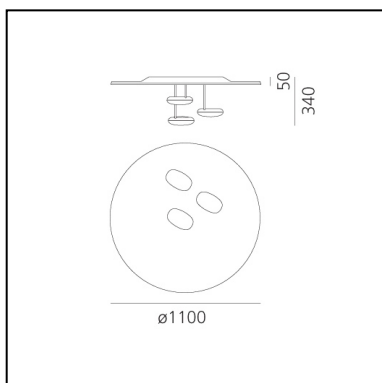
- Category: **Led**
- Number: **3**
- Watt: **29W**
- Color temperature (K): **2700K**
- CRI: **90**
- Color Tolerance: **MacAdam 2SDCM**

Droplet Ceiling LED 3000K

Ross Lovegrove



IP20     Dimmerable: +  -



LUMINAIRE

- Watt: **87W**
- Voltage: **220V-240V**
- Delivered lumen output: **3241lm**
- CCT: **3000K**
- Efficiency: **38%**
- Efficacy: **37.25lm/W**
- CRI: **90**
- Dimmable Typology: **Push**

DESCRIPTION

Droplet is a light that appears as a pool of liquid aluminium reflecting two light pebbles. It has been generated totally by digital means and freezes in time the act of ripples that cross each other to define reflective zones and acting as a form of liquid dichroic." Materials: die-cast aluminium lighting units; die-cast aluminium reflector.

FEATURES

- Product Code: **1474110A**
- Colour: **Polished chrome / Aluminium**
- Installation: **Ceiling**
- Material: **Aluminium, steel**
- Series: **Design Collection, Hydro**
- Environment: **Indoor**
- Emission: **Indirect**
- design by: **Ross Lovegrove**

DIMENSIONS

- Height: **320 mm**
- Diameter: **1100 mm**
- Impact Resistance: **N/D**
- Glow Wire Test: **960°**

SOURCES INCLUDED

- Category: **Led**
- Number: **3**
- Watt: **29W**
- Delivered lumen output: **4230lm**
- Color temperature (K): **3000K**
- CRI: **90**
- Color Tolerance: **MacAdam 2SDCM**