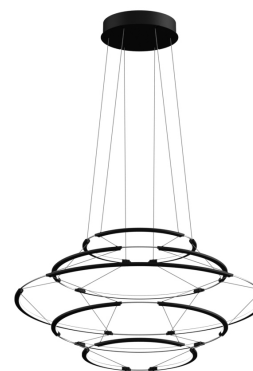


# DROP 5

*Arihiro Miyake*

Instinct and constant design diligence in a collection that is the outcome of a sophisticated lighting engineering. A clear lines chandelier combined with an extremely slim aluminium structure for a soft echo of strong and diffused light. Each profile and connector is linked through a miniaturised connection for a unique result of suspended lightness.



2700K

### LAMPING

Source	linear LED
Total power	35W
Emission	diffused
Switching	1-10V
Tension	110-240V
Color temperature	2700K
Luminous flux	3350lm (nominal flux)
Typ CRI	90
Dimensions	ø70x33
Notes	total height 33cm, cable length 2,5m, TRIAC VERSION on request
Net lamp weight	1,5kg kg

### Codes

DRP LNN 51  
DRP LDD 51  
DRP LGG 51

### Structure

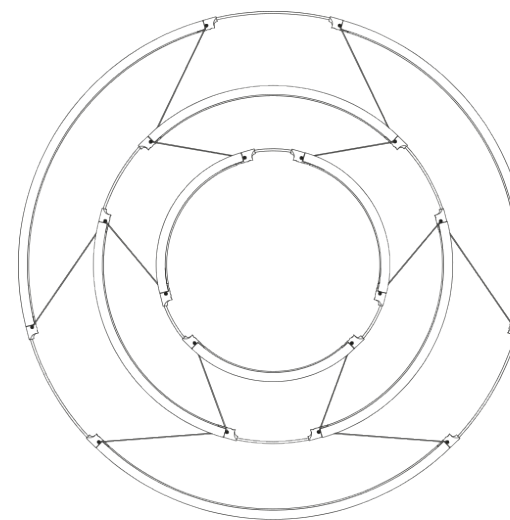
black  
satin silver  
satin gold

### PACKAGE

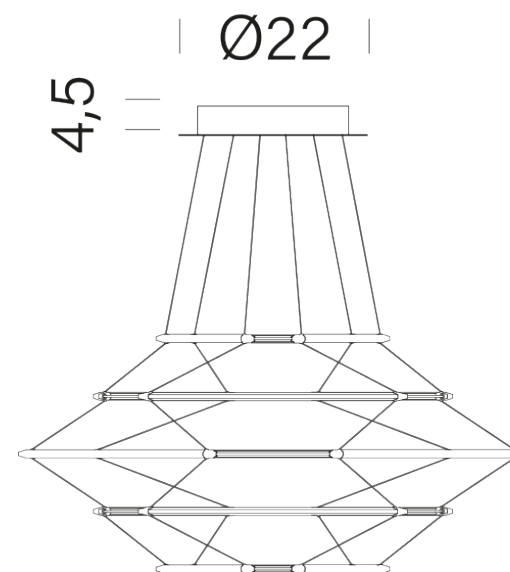
Package 01

Dimension: 110X110X60 cm

### Certificazioni



70



33±2

DROP 5 - 2 / 2

# DROP 7

*Arihiro Miyake*

Instinct and constant design diligence in a collection that is the outcome of a sophisticated lighting engineering. A clear lines chandelier combined with an extremely slim aluminium structure for a soft echo of strong and diffused light. Each profile and connector is linked through a miniaturised connection for a unique result of suspended lightness.



2700K

### LAMPING

Source	linear LED
Total power	60W
Emission	diffused
Switching	1-10V
Tension	110-240V
Color temperature	2700K
Luminous flux	5700lm (nominal flux)
Typ CRI	90
Dimensions	ø90x50
Notes	total height 50cm, cable length 2,5m, TRIAC VERSION on request
Net lamp weight	1,5kg kg

### Codes

DRP LNN 52  
DRP LDD 52  
DRP LGG 52

### Structure

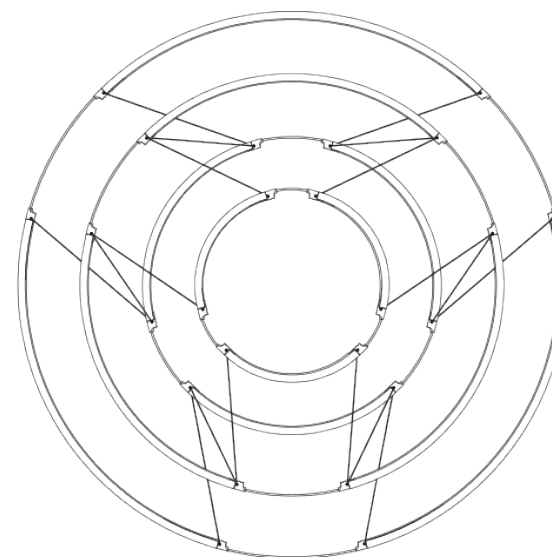
black  
satin silver  
satin gold

### PACKAGE

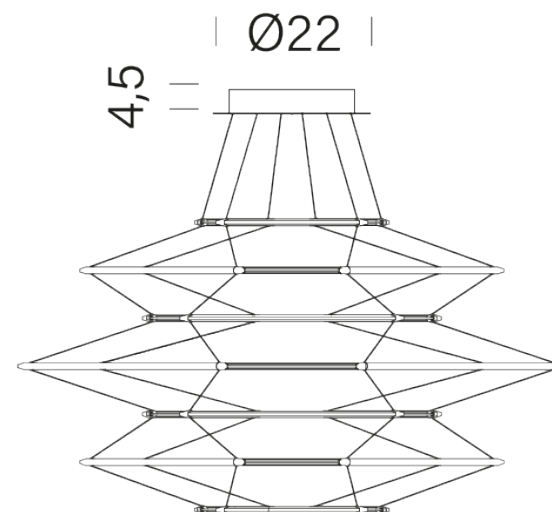
Package 01

Dimension: 110X110X60 cm

### Certificazioni



90



4,5

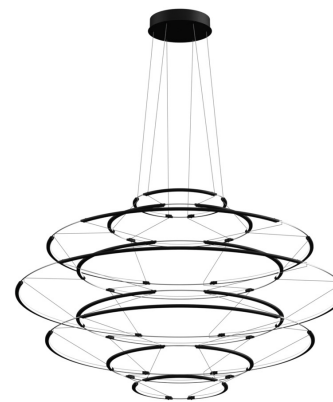
Ø22

50±2

# DROP 9

*Arihiro Miyake*

Instinct and constant design diligence in a collection that is the outcome of a sophisticated lighting engineering. A clear lines chandelier combined with an extremely slim aluminium structure for a soft echo of strong and diffused light. Each profile and connector is linked through a miniaturised connection for a unique result of suspended lightness.



2700K

### LAMPING

Source	linear LED
Total power	90W
Emission	diffused
Switching	1-10V
Tension	110-240V
Color temperature	2700K
Luminous flux	8700lm (nominal flux)
Typ CRI	90
Dimensions	ø110x65
Notes	total height 66cm, cable length 2,5m, TRIAC VERSION on request
Net lamp weight	1,5kg kg

### Codes

DRP LNN 53  
DRP LDD 53  
DRP LGG 53

### Structure

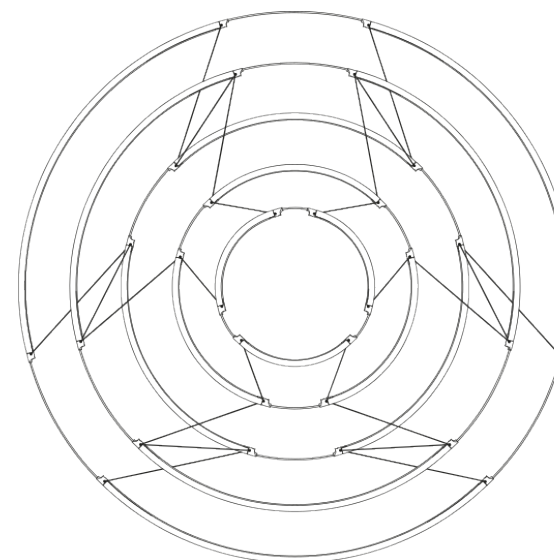
black  
satin silver  
satin gold

### PACKAGE

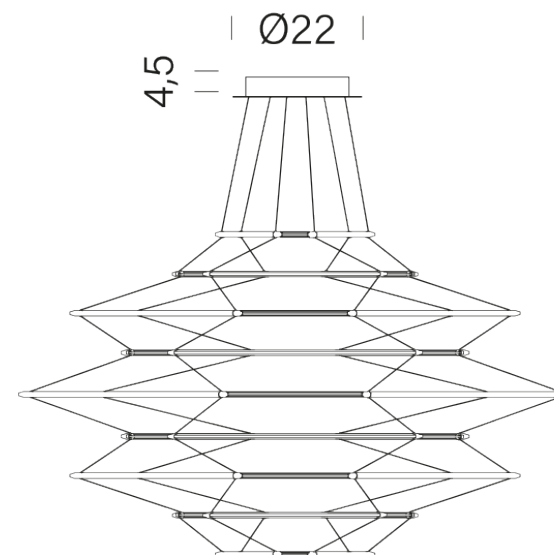
Package 01

Dimension: 110X110X60 cm

### Certificazioni



110



4,5

Ø22

66±2