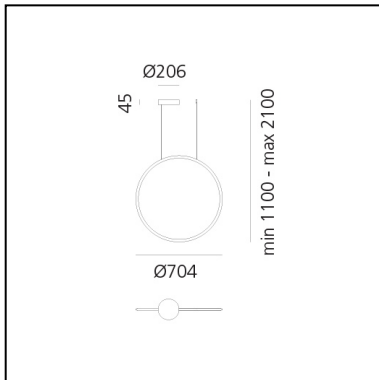


# Discovery Vertical 70 - Black

Ernesto Gismondi



IP20    Dimmerable: 



## LUMINAIRE

- Watt: **40W**
- Delivered lumen output: **2857lm**
- CCT: **3000K**
- Efficiency: **55%**
- Efficacy: **71.44lm/W**
- CRI: **90**
- Dimmable Typology: **Push/DALI**

## Notes

Respects the UGR workplace standards in any position in which it is installed.  
The APP driver can not be controlled by DALI dimming system and viceversa.

## DESCRIPTION

Discovery is an unobtrusive, utterly absent and immaterial element. Its volume is only perceived when switched on, thanks to the light that outlines the central emitting surface. The result is a uniform light, ideal for working environments. The company's great optoelectronic skills, combined with a thorough culture of design and with technological know-how, produces a perfectly all-purpose and surprising solution, which translates innovation into emotional perception.

## FEATURES

- Product Code: **1992030A**
- Colour: **Black**
- Installation: **Suspension**
- Material: **Technopolymer, aluminium**
- Series: **Design Collection**
- Environment: **Indoor**
- design by: **Ernesto Gismondi**

## DIMENSIONS

- Width: **17 mm**
- Diameter: **704 mm**
- Base Diameter: **206 mm**
- Max Height from ceiling: **2100 mm**

## SOURCES INCLUDED

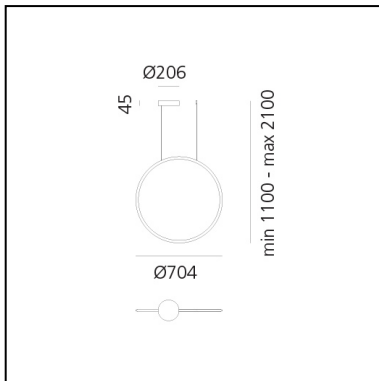
- Category: **Led**
- Number: **1**
- Watt: **35W**
- Delivered lumen output: **5162lm**
- Color temperature (K): **3000K**
- CRI: **90**
- Color Tolerance: **MacAdam 3SDCM**
- Service Life: **L90(6K) 50000h**

# Discovery Vertical 70 - Black - App Compatible

Ernesto Gismondi



IP20    Dimmerable: 



## LUMINAIRE

- Watt: **40W**
- Delivered lumen output: **2857lm**
- CCT: **3000K**
- Efficiency: **55%**
- Efficacy: **71.44lm/W**
- CRI: **90**
- Dimmable Typology: **Push & APP**

## Notes

Respects the UGR workplace standards in any position in which it is installed.  
The APP driver can not be controlled by DALI dimming system and viceversa.

## DESCRIPTION

Discovery is an unobtrusive, utterly absent and immaterial element. Its volume is only perceived when switched on, thanks to the light that outlines the central emitting surface. The result is a uniform light, ideal for working environments. The company's great optoelectronic skills, combined with a thorough culture of design and with technological know-how, produces a perfectly all-purpose and surprising solution, which translates innovation into emotional perception.

## FEATURES

- Product Code: **1992030APP**
- Colour: **Black**
- Installation: **Suspension**
- Material: **Technopolymer, aluminium**
- Series: **Design Collection**
- Environment: **Indoor**
- design by: **Ernesto Gismondi**

## DIMENSIONS

- Width: **17 mm**
- Diameter: **704 mm**
- Base Diameter: **206 mm**
- Max Height from ceiling: **2100 mm**

## SOURCES INCLUDED

- Category: **Led**
- Number: **1**
- Watt: **35W**
- Delivered lumen output: **5162lm**
- Color temperature (K): **3000K**
- CRI: **90**
- Color Tolerance: **MacAdam 3SDCM**
- Service Life: **L90(6K) 50000h**

**Accessories**

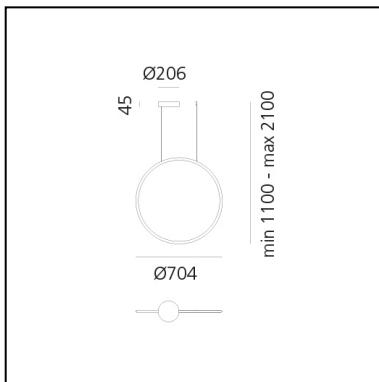
Device for switching and controlling Artemide App products. Max N.3 inputs for external push buttons. Max 1m distance. Mains power supply required. To be installed inside flush mounting boxes or junction boxes. DV1080APP

# Discovery Vertical 70 - Bronze

Ernesto Gismondi



IP20    Dimmerable: 



## LUMINAIRE

- Watt: **40W**
- Delivered lumen output: **2857lm**
- CCT: **3000K**
- Efficiency: **55%**
- Efficacy: **71.44lm/W**
- CRI: **90**
- Dimmable Typology: **Push/DALI**

## Notes

Respects the UGR workplace standards in any position in which it is installed.  
The APP driver can not be controlled by DALI dimming system and viceversa.

## DESCRIPTION

Discovery is an unobtrusive, utterly absent and immaterial element. Its volume is only perceived when switched on, thanks to the light that outlines the central emitting surface. The result is a uniform light, ideal for working environments. The company's great optoelectronic skills, combined with a thorough culture of design and with technological know-how, produces a perfectly all-purpose and surprising solution, which translates innovation into emotional perception.

## FEATURES

- Product Code: **1992060A**
- Colour: **Bronze**
- Installation: **Suspension**
- Material: **Technopolymer, aluminium**
- Series: **Design Collection**
- Environment: **Indoor**
- design by: **Ernesto Gismondi**

## DIMENSIONS

- Width: **17 mm**
- Diameter: **704 mm**
- Base Diameter: **206 mm**
- Max Height from ceiling: **2100 mm**

## SOURCES INCLUDED

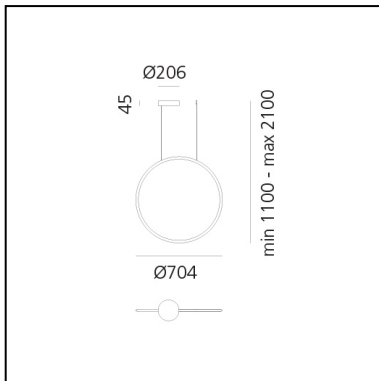
- Category: **Led**
- Number: **1**
- Watt: **35W**
- Delivered lumen output: **5162lm**
- Color temperature (K): **3000K**
- CRI: **90**
- Color Tolerance: **MacAdam 3SDCM**
- Service Life: **L90(6K) 50000h**

# Discovery Vertical 70 - Bronze - App Compatible

Ernesto Gismondi



IP20    Dimmerable: 



## LUMINAIRE

- Watt: **40W**
- Delivered lumen output: **2857lm**
- CCT: **3000K**
- Efficiency: **55%**
- Efficacy: **71.44lm/W**
- CRI: **90**
- Dimmable Typology: **Push & APP**

## Notes

Respects the UGR workplace standards in any position in which it is installed.  
The APP driver can not be controlled by DALI dimming system and viceversa.

## DESCRIPTION

Discovery is an unobtrusive, utterly absent and immaterial element. Its volume is only perceived when switched on, thanks to the light that outlines the central emitting surface. The result is a uniform light, ideal for working environments. The company's great optoelectronic skills, combined with a thorough culture of design and with technological know-how, produces a perfectly all-purpose and surprising solution, which translates innovation into emotional perception.

## FEATURES

- Product Code: **1992060APP**
- Colour: **Bronze**
- Installation: **Suspension**
- Material: **Technopolymer, aluminium**
- Series: **Design Collection**
- Environment: **Indoor**
- design by: **Ernesto Gismondi**

## DIMENSIONS

- Width: **17 mm**
- Diameter: **704 mm**
- Base Diameter: **206 mm**
- Max Height from ceiling: **2100 mm**

## SOURCES INCLUDED

- Category: **Led**
- Number: **1**
- Watt: **35W**
- Delivered lumen output: **5162lm**
- Color temperature (K): **3000K**
- CRI: **90**
- Color Tolerance: **MacAdam 3SDCM**
- Service Life: **L90(6K) 50000h**

**Accessories**

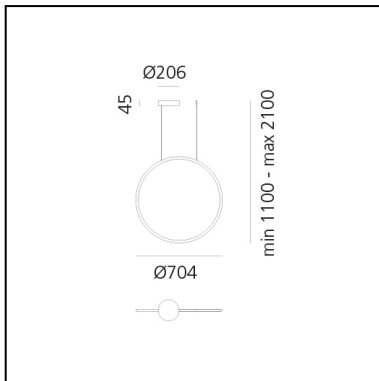
Device for switching and controlling Artemide App products. Max N.3 inputs for external push buttons. Max 1m distance. Mains power supply required. To be installed inside flush mounting boxes or junction boxes. DV1080APP

# Discovery Vertical 70 - Satinized aluminium

Ernesto Gismondi



IP20    Dimmerable: 



## LUMINAIRE

- Watt: **40W**
- Delivered lumen output: **2857lm**
- CCT: **3000K**
- Efficiency: **55%**
- Efficacy: **71.44lm/W**
- CRI: **90**
- Dimmable Typology: **Push/DALI**

## Notes

Respects the UGR workplace standards in any position in which it is installed.  
The APP driver can not be controlled by DALI dimming system and viceversa.

## DESCRIPTION

Discovery is an unobtrusive, utterly absent and immaterial element. Its volume is only perceived when switched on, thanks to the light that outlines the central emitting surface. The result is a uniform light, ideal for working environments. The company's great optoelectronic skills, combined with a thorough culture of design and with technological know-how, produces a perfectly all-purpose and surprising solution, which translates innovation into emotional perception.

## FEATURES

- Product Code: **1992010A**
- Colour: **Satinized aluminium**
- Installation: **Suspension**
- Material: **Technopolymer, aluminium**
- Series: **Design Collection**
- Environment: **Indoor**
- design by: **Ernesto Gismondi**

## DIMENSIONS

- Width: **17 mm**
- Diameter: **704 mm**
- Base Diameter: **206 mm**
- Max Height from ceiling: **2100 mm**

## SOURCES INCLUDED

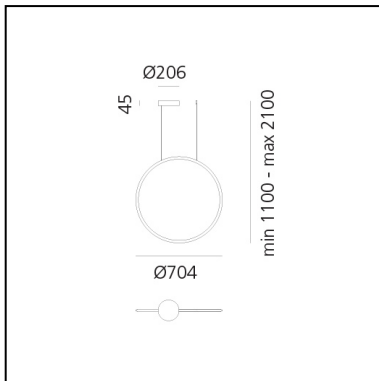
- Category: **Led**
- Number: **1**
- Watt: **35W**
- Delivered lumen output: **5162lm**
- Color temperature (K): **3000K**
- CRI: **90**
- Color Tolerance: **MacAdam 3SDCM**
- Service Life: **L90(6K) 50000h**

# Discovery Vertical 70 - Satinized aluminium - App Compatible

Ernesto Gismondi



IP20    Dimmerable: 



## LUMINAIRE

- Watt: **40W**
- Delivered lumen output: **2857lm**
- CCT: **3000K**
- Efficiency: **55%**
- Efficacy: **71.44lm/W**
- CRI: **90**
- Dimmable Typology: **Push & APP**

## Notes

Respects the UGR workplace standards in any position in which it is installed.  
The APP driver can not be controlled by DALI dimming system and viceversa.

## DESCRIPTION

Discovery is an unobtrusive, utterly absent and immaterial element. Its volume is only perceived when switched on, thanks to the light that outlines the central emitting surface. The result is a uniform light, ideal for working environments. The company's great optoelectronic skills, combined with a thorough culture of design and with technological know-how, produces a perfectly all-purpose and surprising solution, which translates innovation into emotional perception.

## FEATURES

- Product Code: **1992010APP**
- Colour: **Satinized aluminium**
- Installation: **Suspension**
- Material: **Technopolymer, aluminium**
- Series: **Design Collection**
- Environment: **Indoor**
- design by: **Ernesto Gismondi**

## DIMENSIONS

- Width: **17 mm**
- Diameter: **704 mm**
- Base Diameter: **206 mm**
- Max Height from ceiling: **2100 mm**

## SOURCES INCLUDED

- Category: **Led**
- Number: **1**
- Watt: **35W**
- Delivered lumen output: **5162lm**
- Color temperature (K): **3000K**
- CRI: **90**
- Color Tolerance: **MacAdam 3SDCM**
- Service Life: **L90(6K) 50000h**



**Accessories**

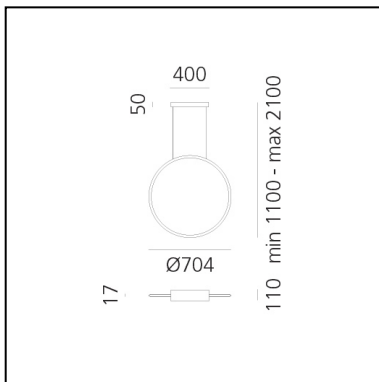
Device for switching and controlling Artemide App products. Max N.3 inputs for external push buttons. Max 1m distance. Mains power supply required. To be installed inside flush mounting boxes or junction boxes. DV1080APP

# Discovery Vertical 70 - Black - TW

Ernesto Gismondi



IP20   **TW** Dimmerable: **+0-**



## LUMINAIRE

- Watt: **50W**
- Delivered lumen output: **Warm 3246 Cold 3343lm**
- CCT: **2700-6500K**
- Efficiency: **60%**
- Efficacy: **66.86lm/W**
- CRI: **80**
- Dimmable Typology: **Dali**

## Notes

Respects the UGR workplace standards in any position in which it is installed.  
The APP driver can not be controlled by DALI dimming system and viceversa.

## DESCRIPTION

Discovery is an unobtrusive, utterly absent and immaterial element. Its volume is only perceived when switched on, thanks to the light that outlines the central emitting surface. The result is a uniform light, ideal for working environments. The company's great optoelectronic skills, combined with a thorough culture of design and with technological know-how, produces a perfectly all-purpose and surprising solution, which translates innovation into emotional perception.

## FEATURES

- Product Code: **1992230A**
- Colour: **Black**
- Installation: **Suspension**
- Material: **Technopolymer, aluminium**
- Series: **Design Collection**
- Environment: **Indoor**
- design by: **Ernesto Gismondi**

## DIMENSIONS

- Width: **17 mm**
- Diameter: **704 mm**
- Base Length: **400 mm**
- Max Height from ceiling: **2100 mm**

## SOURCES INCLUDED

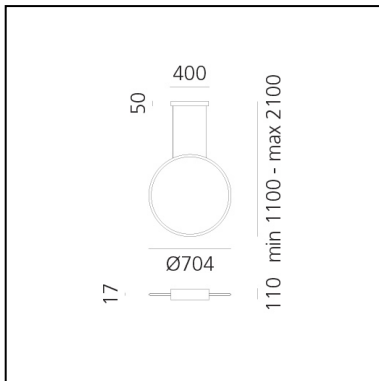
- Category: **Led TW**
- Number: **1**
- Watt: **49W**
- Color Tolerance: **MacAdam 3SDCM**
- Service Life: **L90 (6K) 50000h**

# Discovery Vertical 70 - Black - TW - App Compatible

Ernesto Gismondi



IP20    Dimmerable: 



## LUMINAIRE

- Watt: **50W**
- Delivered lumen output: **Warm 3246 Cold 3343lm**
- CCT: **2700-6500K**
- Efficiency: **60%**
- Efficacy: **66.86lm/W**
- CRI: **80**
- Dimmable Typology: **APP**

## Notes

Respects the UGR workplace standards in any position in which it is installed.  
The APP driver can not be controlled by DALI dimming system and viceversa.

## DESCRIPTION

Discovery is an unobtrusive, utterly absent and immaterial element. Its volume is only perceived when switched on, thanks to the light that outlines the central emitting surface. The result is a uniform light, ideal for working environments. The company's great optoelectronic skills, combined with a thorough culture of design and with technological know-how, produces a perfectly all-purpose and surprising solution, which translates innovation into emotional perception.

## FEATURES

- Product Code: **1992230APP**
- Colour: **Black**
- Installation: **Suspension**
- Material: **Technopolymer, aluminium**
- Series: **Design Collection**
- Environment: **Indoor**
- design by: **Ernesto Gismondi**

## DIMENSIONS

- Width: **17 mm**
- Diameter: **704 mm**
- Base Length: **400 mm**
- Max Height from ceiling: **2100 mm**

## SOURCES INCLUDED

- Category: **Led TW**
- Number: **1**
- Watt: **49W**
- Color Tolerance: **MacAdam 3SDCM**
- Service Life: **L90 (6K) 50000h**

**Accessories**

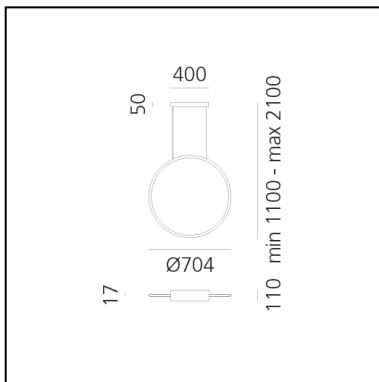
Device for switching and controlling Artemide App products. Max N.3 inputs for external push buttons. Max 1m distance. Mains power supply required. To be installed inside flush mounting boxes or junction boxes. DV1080APP

# Discovery Vertical 70 - Bronze - TW

Ernesto Gismondi



IP20   **TW** Dimmerable: **+0-**



## LUMINAIRE

- Watt: **50W**
- Delivered lumen output: **Warm 3246 Cold 3343lm**
- CCT: **2700-6500K**
- Efficiency: **60%**
- Efficacy: **66.86lm/W**
- CRI: **80**
- Dimmable Typology: **Dali**

## Notes

Respects the UGR workplace standards in any position in which it is installed.  
The APP driver can not be controlled by DALI dimming system and viceversa.

## DESCRIPTION

Discovery is an unobtrusive, utterly absent and immaterial element. Its volume is only perceived when switched on, thanks to the light that outlines the central emitting surface. The result is a uniform light, ideal for working environments. The company's great optoelectronic skills, combined with a thorough culture of design and with technological know-how, produces a perfectly all-purpose and surprising solution, which translates innovation into emotional perception.

## FEATURES

- Product Code: **1992260A**
- Colour: **Bronze**
- Installation: **Suspension**
- Material: **Technopolymer, aluminium**
- Series: **Design Collection**
- Environment: **Indoor**
- design by: **Ernesto Gismondi**

## DIMENSIONS

- Width: **17 mm**
- Diameter: **704 mm**
- Base Length: **400 mm**
- Max Height from ceiling: **2100 mm**

## SOURCES INCLUDED

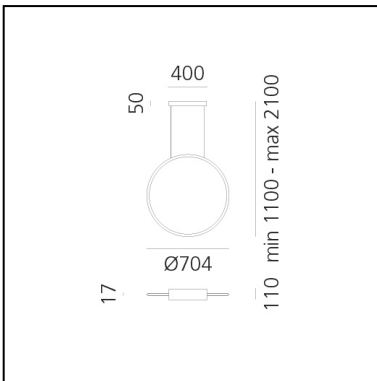
- Category: **Led TW**
- Number: **1**
- Watt: **49W**
- Color Tolerance: **MacAdam 3SDCM**
- Service Life: **L90 (6K) 50000h**

# Discovery Vertical 70 - Bronze - TW - App Compatible

Ernesto Gismondi



IP20   **CE TW** Dimmerable: 



## LUMINAIRE

- Watt: **50W**
- Delivered lumen output: **Warm 3246 Cold 3343lm**
- CCT: **2700-6500K**
- Efficiency: **60%**
- Efficacy: **66.86lm/W**
- CRI: **80**
- Dimmable Typology: **APP**

## Notes

Respects the UGR workplace standards in any position in which it is installed.  
The APP driver can not be controlled by DALI dimming system and viceversa.

## DESCRIPTION

Discovery is an unobtrusive, utterly absent and immaterial element. Its volume is only perceived when switched on, thanks to the light that outlines the central emitting surface. The result is a uniform light, ideal for working environments. The company's great optoelectronic skills, combined with a thorough culture of design and with technological know-how, produces a perfectly all-purpose and surprising solution, which translates innovation into emotional perception.

## FEATURES

- Product Code: **1992260APP**
- Colour: **Bronze**
- Installation: **Suspension**
- Material: **Technopolymer, aluminium**
- Series: **Design Collection**
- Environment: **Indoor**
- design by: **Ernesto Gismondi**

## DIMENSIONS

- Width: **17 mm**
- Diameter: **704 mm**
- Base Length: **400 mm**
- Max Height from ceiling: **2100 mm**

## SOURCES INCLUDED

- Category: **Led TW**
- Number: **1**
- Watt: **49W**
- Color Tolerance: **MacAdam 3SDCM**
- Service Life: **L90 (6K) 50000h**

**Accessories**

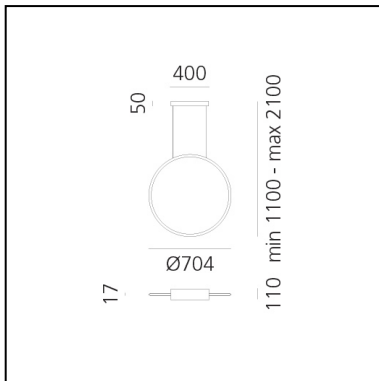
Device for switching and controlling Artemide App products. Max N.3 inputs for external push buttons. Max 1m distance. Mains power supply required. To be installed inside flush mounting boxes or junction boxes. DV1080APP

# Discovery Vertical 70 - Satinized aluminium - TW

Ernesto Gismondi



IP20   **CE TW** Dimmerable: 



## LUMINAIRE

- Watt: **50W**
- Delivered lumen output: **Warm 3246 Cold 3343lm**
- CCT: **2700-6500K**
- Efficiency: **60%**
- Efficacy: **66.86lm/W**
- CRI: **80**
- Dimmable Typology: **Dali**

## Notes

Respects the UGR workplace standards in any position in which it is installed.  
The APP driver can not be controlled by DALI dimming system and viceversa.

## DESCRIPTION

Discovery is an unobtrusive, utterly absent and immaterial element. Its volume is only perceived when switched on, thanks to the light that outlines the central emitting surface. The result is a uniform light, ideal for working environments. The company's great optoelectronic skills, combined with a thorough culture of design and with technological know-how, produces a perfectly all-purpose and surprising solution, which translates innovation into emotional perception.

## FEATURES

- Product Code: **1992210A**
- Colour: **Satinized aluminium**
- Installation: **Suspension**
- Material: **Technopolymer, aluminium**
- Series: **Design Collection**
- Environment: **Indoor**
- design by: **Ernesto Gismondi**

## DIMENSIONS

- Width: **17 mm**
- Diameter: **704 mm**
- Base Length: **400 mm**
- Max Height from ceiling: **2100 mm**

## SOURCES INCLUDED

- Category: **Led TW**
- Number: **1**
- Watt: **49W**
- Color Tolerance: **MacAdam 3SDCM**
- Service Life: **L90 (6K) 50000h**

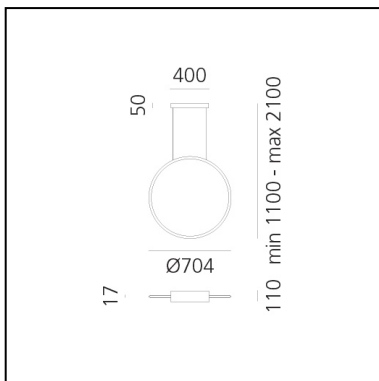


# Discovery Vertical 70 - Satinized aluminium - TW - App Compatible

Ernesto Gismondi



IP20   **CE TW** Dimmerable: 



## LUMINAIRE

- Watt: **50W**
- Delivered lumen output: **Warm 3246 Cold 3343lm**
- CCT: **2700-6500K**
- Efficiency: **60%**
- Efficacy: **66.86lm/W**
- CRI: **80**
- Dimmable Typology: **APP**

## Notes

Respects the UGR workplace standards in any position in which it is installed.  
The APP driver can not be controlled by DALI dimming system and viceversa.

## DESCRIPTION

Discovery is an unobtrusive, utterly absent and immaterial element. Its volume is only perceived when switched on, thanks to the light that outlines the central emitting surface. The result is a uniform light, ideal for working environments. The company's great optoelectronic skills, combined with a thorough culture of design and with technological know-how, produces a perfectly all-purpose and surprising solution, which translates innovation into emotional perception.

## FEATURES

- Product Code: **1992210APP**
- Colour: **Satinized aluminium**
- Installation: **Suspension**
- Material: **Technopolymer, aluminium**
- Series: **Design Collection**
- Environment: **Indoor**
- design by: **Ernesto Gismondi**

## DIMENSIONS

- Width: **17 mm**
- Diameter: **704 mm**
- Base Length: **400 mm**
- Max Height from ceiling: **2100 mm**

## SOURCES INCLUDED

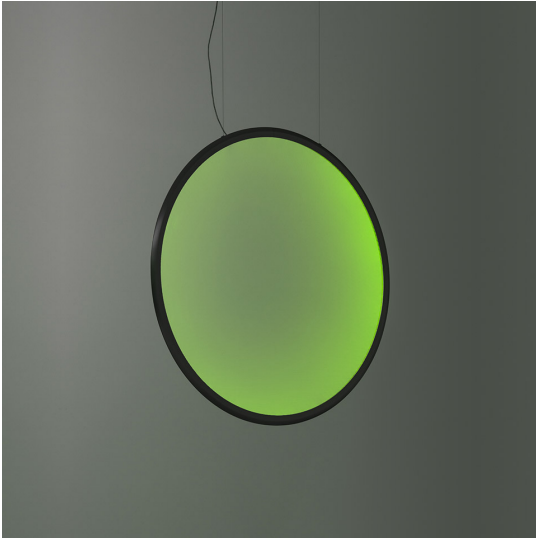
- Category: **Led TW**
- Number: **1**
- Watt: **49W**
- Color Tolerance: **MacAdam 3SDCM**
- Service Life: **L90 (6K) 50000h**

**Accessories**

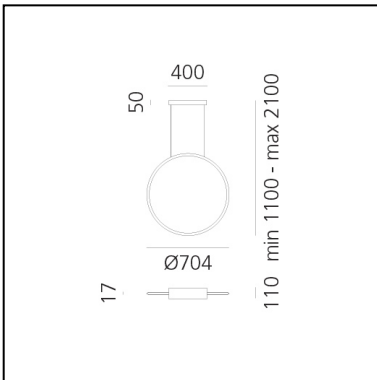
Device for switching and controlling Artemide App products. Max N.3 inputs for external push buttons. Max 1m distance. Mains power supply required. To be installed inside flush mounting boxes or junction boxes. DV1080APP

# Discovery Vertical 70 - Black - RGBW

Ernesto Gismondi



IP20    Dimmerable: 



## LUMINAIRE

- Watt: **42W**
- Delivered lumen output: **2471lm**
- Efficiency: **68%**
- Efficacy: **58.83lm/W**
- Dimmable Typology: **Dali**

## Notes

Respects the UGR workplace standards in any position in which it is installed.  
The APP driver can not be controlled by DALI dimming system and viceversa.

## DESCRIPTION

Discovery is an unobtrusive, utterly absent and immaterial element. Its volume is only perceived when switched on, thanks to the light that outlines the central emitting surface. The result is a uniform light, ideal for working environments. The company's great optoelectronic skills, combined with a thorough culture of design and with technological know-how, produces a perfectly all-purpose and surprising solution, which translates innovation into emotional perception.

## FEATURES

- Product Code: **1992330A**
- Colour: **Black**
- Installation: **Suspension**
- Material: **Technopolymer, aluminium**
- Series: **Design Collection**
- Environment: **Indoor**
- design by: **Ernesto Gismondi**

## DIMENSIONS

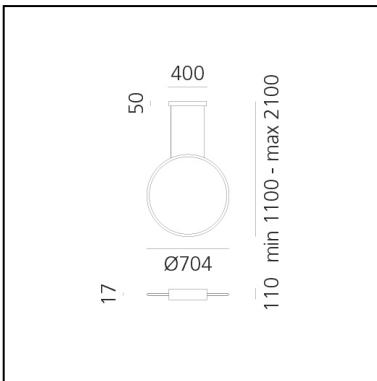
- Width: **17 mm**
- Diameter: **704 mm**
- Base Length: **400 mm**
- Max Height from ceiling: **2100 mm**

# Discovery Vertical 70 - Black - RGBW - App Compatible

Ernesto Gismondi



IP20    Dimmerable: 



## LUMINAIRE

- Watt: **42W**
- Delivered lumen output: **2471lm**
- Efficiency: **68%**
- Efficacy: **58.83lm/W**
- Dimmable Typology: **APP**

## Notes

Respects the UGR workplace standards in any position in which it is installed.  
The APP driver can not be controlled by DALI dimming system and viceversa.

## DESCRIPTION

Discovery is an unobtrusive, utterly absent and immaterial element. Its volume is only perceived when switched on, thanks to the light that outlines the central emitting surface. The result is a uniform light, ideal for working environments. The company's great optoelectronic skills, combined with a thorough culture of design and with technological know-how, produces a perfectly all-purpose and surprising solution, which translates innovation into emotional perception.

## FEATURES

- Product Code: **1992330APP**
- Colour: **Black**
- Installation: **Suspension**
- Material: **Technopolymer, aluminium**
- Series: **Design Collection**
- Environment: **Indoor**
- design by: **Ernesto Gismondi**

## DIMENSIONS

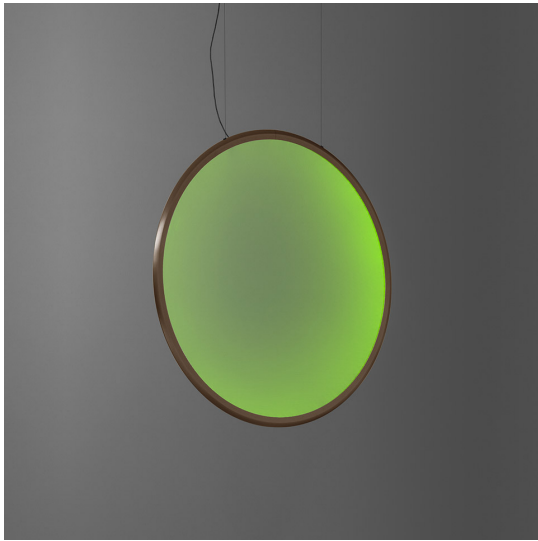
- Width: **17 mm**
- Diameter: **704 mm**
- Base Length: **400 mm**
- Max Height from ceiling: **2100 mm**

**Accessories**

Device for switching and controlling Artemide App products. Max N.3 inputs for external push buttons. Max 1m distance. Mains power supply required. To be installed inside flush mounting boxes or junction boxes. DV1080APP

# Discovery Vertical 70 - Bronze - RGBW

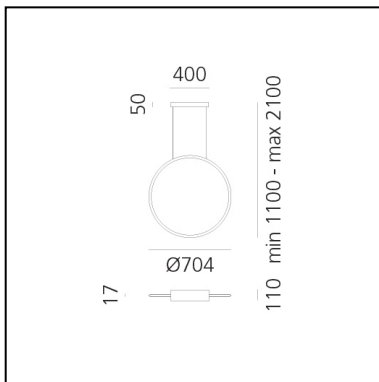
Ernesto Gismondi



## DESCRIPTION

Discovery is an unobtrusive, utterly absent and immaterial element. Its volume is only perceived when switched on, thanks to the light that outlines the central emitting surface. The result is a uniform light, ideal for working environments. The company's great optoelectronic skills, combined with a thorough culture of design and with technological know-how, produces a perfectly all-purpose and surprising solution, which translates innovation into emotional perception.

IP20    Dimmerable: 



## FEATURES

- Product Code: **1992360A**
- Colour: **Bronze**
- Installation: **Suspension**
- Material: **Technopolymer, aluminium**
- Series: **Design Collection**
- Environment: **Indoor**
- design by: **Ernesto Gismondi**

## DIMENSIONS

- Width: **17 mm**
- Diameter: **704 mm**
- Base Length: **400 mm**
- Max Height from ceiling: **2100 mm**

## LUMINAIRE

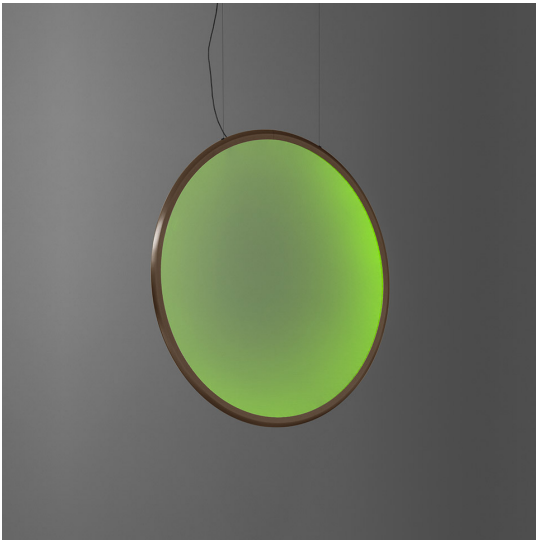
- Watt: **42W**
- Delivered lumen output: **2471lm**
- Efficiency: **68%**
- Efficacy: **58.83lm/W**
- Dimmable Typology: **Dali**

## Notes

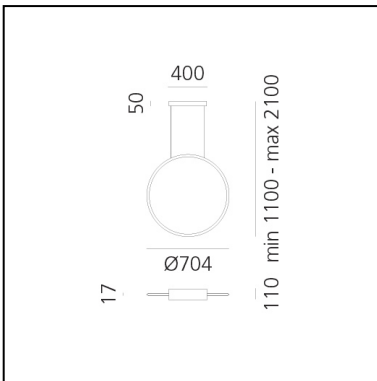
Respects the UGR workplace standards in any position in which it is installed.  
The APP driver can not be controlled by DALI dimming system and viceversa.

# Discovery Vertical 70 - Bronze - RGBW - App Compatible

Ernesto Gismondi



IP20    Dimmerable: 



## LUMINAIRE

- Watt: **42W**
- Delivered lumen output: **2471lm**
- Efficiency: **68%**
- Efficacy: **58.83lm/W**
- Dimmable Typology: **APP**

## Notes

Respects the UGR workplace standards in any position in which it is installed.  
The APP driver can not be controlled by DALI dimming system and viceversa.

## DESCRIPTION

Discovery is an unobtrusive, utterly absent and immaterial element. Its volume is only perceived when switched on, thanks to the light that outlines the central emitting surface. The result is a uniform light, ideal for working environments. The company's great optoelectronic skills, combined with a thorough culture of design and with technological know-how, produces a perfectly all-purpose and surprising solution, which translates innovation into emotional perception.

## FEATURES

- Product Code: **1992360APP**
- Colour: **Bronze**
- Installation: **Suspension**
- Material: **Technopolymer, aluminium**
- Series: **Design Collection**
- Environment: **Indoor**
- design by: **Ernesto Gismondi**

## DIMENSIONS

- Width: **17 mm**
- Diameter: **704 mm**
- Base Length: **400 mm**
- Max Height from ceiling: **2100 mm**

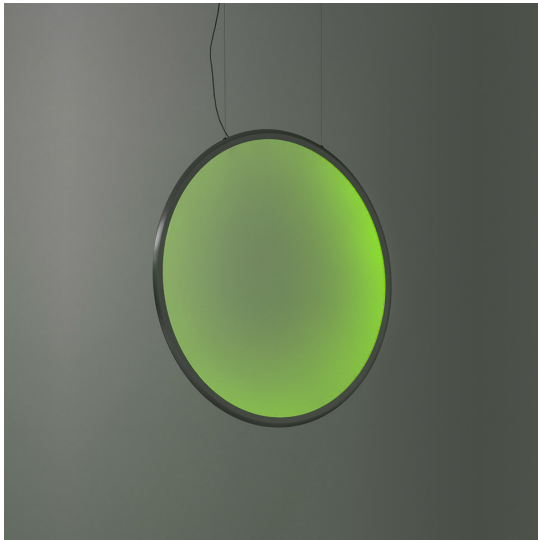
**Accessories**

Device for switching and controlling Artemide App products. Max N.3 inputs for external push buttons. Max 1m distance. Mains power supply required. To be installed inside flush mounting boxes or junction boxes. DV1080APP

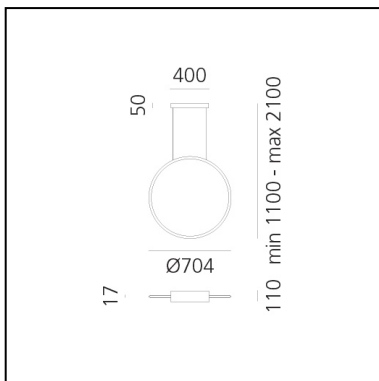


# Discovery Vertical 70 - Satinized aluminium - RGBW

Ernesto Gismondi



IP20    Dimmerable: 



## LUMINAIRE

- Watt: **42W**
- Delivered lumen output: **2471lm**
- Efficiency: **68%**
- Efficacy: **58.83lm/W**
- Dimmable Typology: **Dali**

## Notes

Respects the UGR workplace standards in any position in which it is installed.  
The APP driver can not be controlled by DALI dimming system and viceversa.

## DESCRIPTION

Discovery is an unobtrusive, utterly absent and immaterial element. Its volume is only perceived when switched on, thanks to the light that outlines the central emitting surface. The result is a uniform light, ideal for working environments. The company's great optoelectronic skills, combined with a thorough culture of design and with technological know-how, produces a perfectly all-purpose and surprising solution, which translates innovation into emotional perception.

## FEATURES

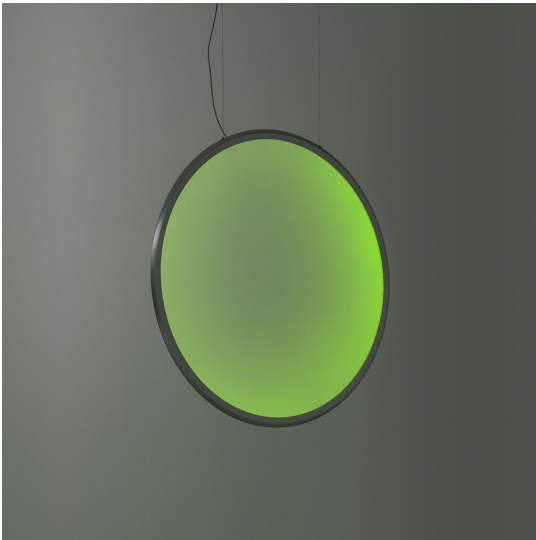
- Product Code: **1992310A**
- Colour: **Satinized aluminium**
- Installation: **Suspension**
- Material: **Technopolymer, aluminium**
- Series: **Design Collection**
- Environment: **Indoor**
- design by: **Ernesto Gismondi**

## DIMENSIONS

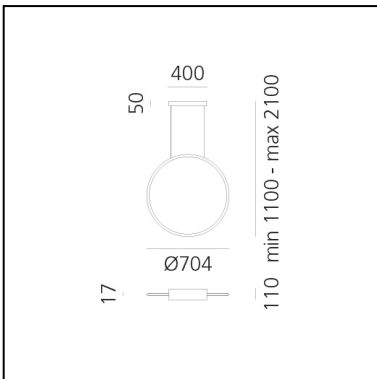
- Width: **17 mm**
- Diameter: **704 mm**
- Base Length: **400 mm**
- Max Height from ceiling: **2100 mm**

# Discovery Vertical 70 - Satinized aluminium - RGBW - App Compatible

Ernesto Gismondi



IP20    Dimmerable: 



## LUMINAIRE

- Watt: **42W**
- Delivered lumen output: **2471lm**
- Efficiency: **68%**
- Efficacy: **58.83lm/W**
- Dimmable Typology: **APP**

## Notes

Respects the UGR workplace standards in any position in which it is installed.  
The APP driver can not be controlled by DALI dimming system and viceversa.

## DESCRIPTION

Discovery is an unobtrusive, utterly absent and immaterial element. Its volume is only perceived when switched on, thanks to the light that outlines the central emitting surface. The result is a uniform light, ideal for working environments. The company's great optoelectronic skills, combined with a thorough culture of design and with technological know-how, produces a perfectly all-purpose and surprising solution, which translates innovation into emotional perception.

## FEATURES

- Product Code: **1992310APP**
- Colour: **Satinized aluminium**
- Installation: **Suspension**
- Material: **Technopolymer, aluminium**
- Series: **Design Collection**
- Environment: **Indoor**
- design by: **Ernesto Gismondi**

## DIMENSIONS

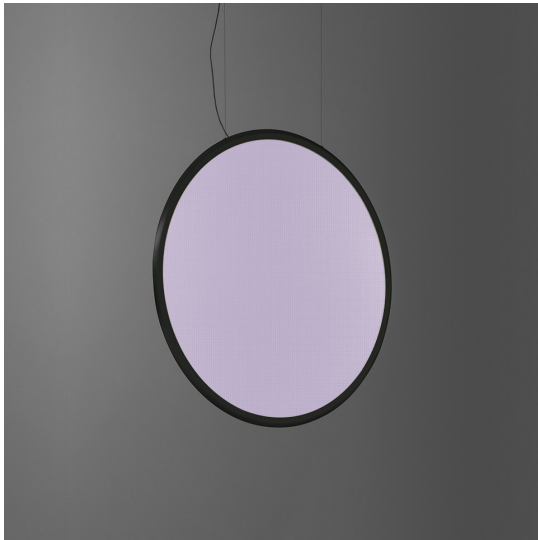
- Width: **17 mm**
- Diameter: **704 mm**
- Base Length: **400 mm**
- Max Height from ceiling: **2100 mm**

**Accessories**

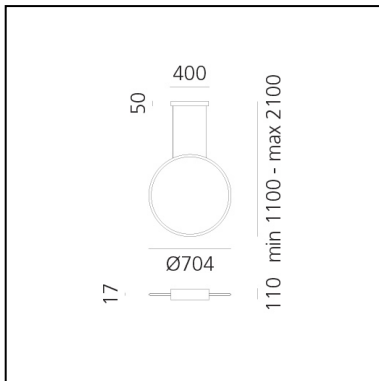
Device for switching and controlling Artemide App products. Max N.3 inputs for external push buttons. Max 1m distance. Mains power supply required. To be installed inside flush mounting boxes or junction boxes. DV1080APP

# Discovery Vertical 70 White Violet Integralis - Black - App Compatible

Ernesto Gismondi



IP20  Dimmerable: 



## LUMINAIRE

### DAY MODE

- Watt: **42W**
- Voltage: **220V - 240V**
- Delivered lumen output: **1852lm**
- Radiant Flux: **1124mW**
- CCT: **2700K**
- Efficacy: **44lm/W**
- CRI: **80**
- Dimmable Typology: **APP**

## DESCRIPTION

Discovery is an unobtrusive, utterly absent and immaterial element. Its volume is only perceived when switched on, thanks to the light that outlines the central emitting surface. The result is a uniform light, ideal for working environments. The company's great optoelectronic skills, combined with a thorough culture of design and with technological know-how, produces a perfectly all-purpose and surprising solution, which translates innovation into emotional perception. In the version WHITE-VIOLET INTEGRALIS, Artemide App compatible, Discovery is designed in two operating modes: Day, with white light performance for a microbial growth control, and Night, with a violet light emission for a faster reduction of the bacterial load, in particular for photosensitive pathogenic bacteria.

## FEATURES

- Product Code: **1992230IN1APP**
- Colour: **Black**
- Installation: **Suspension**
- Material: **Technopolymer, aluminium**
- Series: **Design Collection**
- Environment: **Indoor**
- design by: **Ernesto Gismondi**

## DIMENSIONS

- Width: **17 mm**
- Diameter: **704 mm**
- Base Length: **400 mm**
- Max Height from ceiling: **2100 mm**

## SOURCES INCLUDED

- Category: **Dual Channel LED**
- Number: **1**
- CRI: **80**
- Color Tolerance: **3SDCM**
- Channel 1 Service Life: **L70 B50 60000h**
- Channel 2 Service Life: **L70 B50 20000h**

**NIGHT MODE**

- Power Supply: **220V - 240V**
- Watt: **42W**
- Delivered lumen output: **19lm**
- Radiant Flux: **3406mW**
- Dimmable Typology: **APP**

**Accessories**



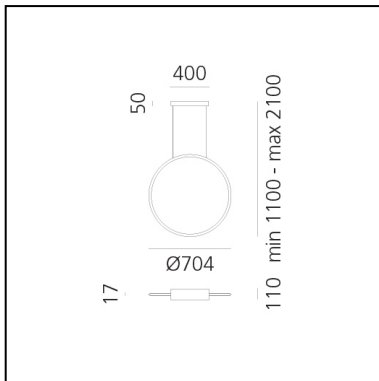
Device for switching and controlling Artemide App products. Max N.3 inputs for external push buttons. Max 1m distance. Mains power supply required. To be installed inside flush mounting boxes or junction boxes. DV1080APP

# Discovery Vertical 70 White Violet Integralis - Bronze - App Compatible

Ernesto Gismondi



IP20  Dimmerable: 



## LUMINAIRE

### DAY MODE

- Watt: **42W**
- Voltage: **220V - 240V**
- Delivered lumen output: **1852lm**
- Radiant Flux: **1124mW**
- CCT: **2700K**
- Efficacy: **44lm/W**
- CRI: **80**
- Dimmable Typology: **APP**

## DESCRIPTION

Discovery is an unobtrusive, utterly absent and immaterial element. Its volume is only perceived when switched on, thanks to the light that outlines the central emitting surface. The result is a uniform light, ideal for working environments. The company's great optoelectronic skills, combined with a thorough culture of design and with technological know-how, produces a perfectly all-purpose and surprising solution, which translates innovation into emotional perception. In the version WHITE-VIOLET INTEGRALIS, Artemide App compatible, Discovery is designed in two operating modes: Day, with white light performance for a microbial growth control, and Night, with a violet light emission for a faster reduction of the bacterial load, in particular for photosensitive pathogenic bacteria.

## FEATURES

- Product Code: **1992260IN1APP**
- Colour: **Bronze**
- Installation: **Suspension**
- Material: **Technopolymer, aluminium**
- Series: **Design Collection**
- Environment: **Indoor**
- design by: **Ernesto Gismondi**

## DIMENSIONS

- Width: **17 mm**
- Diameter: **704 mm**
- Base Length: **400 mm**
- Max Height from ceiling: **2100 mm**

## SOURCES INCLUDED

- Category: **Dual Channel LED**
- Number: **1**
- CRI: **80**
- Color Tolerance: **3SDCM**
- Channel 1 Service Life: **L70 B50 60000h**
- Channel 2 Service Life: **L70 B50 20000h**

**NIGHT MODE**

- Power Supply: **220V - 240V**
- Watt: **42W**
- Delivered lumen output: **19lm**
- Radiant Flux: **3406mW**
- Dimmable Typology: **APP**

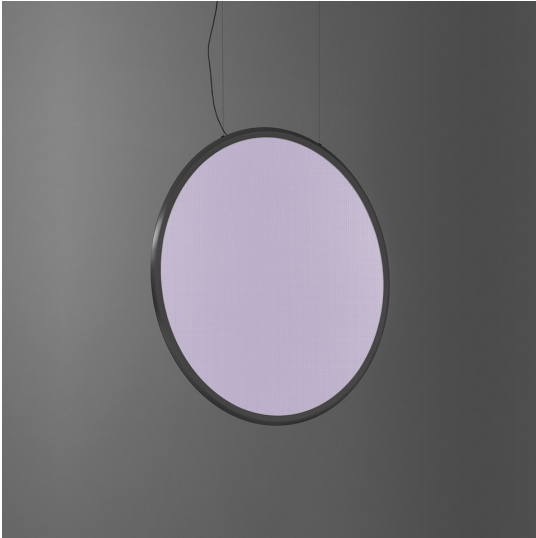
**Accessories**



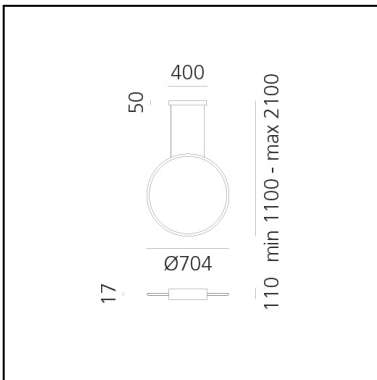
Device for switching and controlling Artemide App products. Max N.3 inputs for external push buttons. Max 1m distance. Mains power supply required. To be installed inside flush mounting boxes or junction boxes. DV1080APP

# Discovery Vertical 70 White Violet Integralis - Satinized aluminium - App Compatible

Ernesto Gismondi



IP20    Dimmerable: 



## LUMINAIRE

### DAY MODE

- Watt: **42W**
- Voltage: **220V - 240V**
- Delivered lumen output: **1852lm**
- Radiant Flux: **1124mW**
- CCT: **2700K**
- Efficacy: **44lm/W**
- CRI: **80**
- Dimmable Typology: **APP**

## DESCRIPTION

Discovery is an unobtrusive, utterly absent and immaterial element. Its volume is only perceived when switched on, thanks to the light that outlines the central emitting surface. The result is a uniform light, ideal for working environments. The company's great optoelectronic skills, combined with a thorough culture of design and with technological know-how, produces a perfectly all-purpose and surprising solution, which translates innovation into emotional perception. In the version WHITE-VIOLET INTEGRALIS, Artemide App compatible, Discovery is designed in two operating modes: Day, with white light performance for a microbial growth control, and Night, with a violet light emission for a faster reduction of the bacterial load, in particular for photosensitive pathogenic bacteria.

## FEATURES

- Product Code: **1992210IN1APP**
- Colour: **Satinized aluminium**
- Installation: **Suspension**
- Material: **Technopolymer, aluminium**
- Series: **Design Collection**
- Environment: **Indoor**
- design by: **Ernesto Gismondi**

## DIMENSIONS

- Width: **17 mm**
- Diameter: **704 mm**
- Base Length: **400 mm**
- Max Height from ceiling: **2100 mm**

## SOURCES INCLUDED

- Category: **Dual Channel LED**
- Number: **1**
- CRI: **80**
- Color Tolerance: **3SDCM**
- Channel 1 Service Life: **L70 B50 60000h**
- Channel 2 Service Life: **L70 B50 20000h**



**NIGHT MODE**

- Power Supply: **220V - 240V**
- Watt: **42W**
- Delivered lumen output: **19lm**
- Radiant Flux: **3406mW**
- Dimmable Typology: **APP**

**Accessories**

Device for switching and controlling Artemide App products. Max N.3 inputs for external push buttons. Max 1m distance. Mains power supply required. To be installed inside flush mounting boxes or junction boxes. DV1080APP