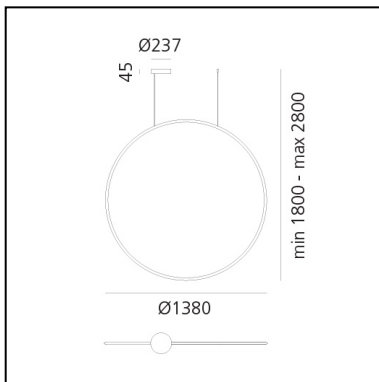


# Discovery Vertical 140 - Black

Ernesto Gismondi



IP20    Dimmerable: 



## LUMINAIRE

- Watt: **80W**
- Delivered lumen output: **6762lm**
- CCT: **3000K**
- Efficiency: **65%**
- Efficacy: **84.52lm/W**
- CRI: **90**
- Dimmable Typology: **Push/DALI**

## Notes

Respects the UGR workplace standards in any position in which it is installed.  
The APP driver can not be controlled by DALI dimming system and viceversa.

## DESCRIPTION

Discovery is an unobtrusive, utterly absent and immaterial element. Its volume is only perceived when switched on, thanks to the light that outlines the central emitting surface. The result is a uniform light, ideal for working environments. The company's great optoelectronic skills, combined with a thorough culture of design and with technological know-how, produces a perfectly all-purpose and surprising solution, which translates innovation into emotional perception.

## FEATURES

- Product Code: **1994030A**
- Colour: **Black**
- Installation: **Suspension**
- Material: **Technopolymer, aluminium**
- Series: **Design Collection**
- Environment: **Indoor**
- design by: **Ernesto Gismondi**

## DIMENSIONS

- Width: **17 mm**
- Diameter: **1380 mm**
- Base Diameter: **237 mm**
- Max Height from ceiling: **2800 mm**

## SOURCES INCLUDED

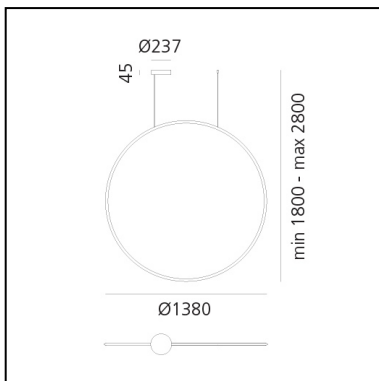
- Category: **Led**
- Number: **1**
- Watt: **71W**
- Delivered lumen output: **10325lm**
- Color temperature (K): **3000K**
- CRI: **90**
- Color Tolerance: **MacAdam 3SDCM**
- Service Life: **L90 (6K) 50000h**

# Discovery Vertical 140 - Black - App Compatible

Ernesto Gismondi



IP20    Dimmerable: 



## LUMINAIRE

- Watt: **80W**
- Delivered lumen output: **6762lm**
- CCT: **3000K**
- Efficiency: **65%**
- Efficacy: **84.52lm/W**
- CRI: **90**
- Dimmable Typology: **Push & APP**

## Notes

Respects the UGR workplace standards in any position in which it is installed.  
The APP driver can not be controlled by DALI dimming system and viceversa.

## DESCRIPTION

Discovery is an unobtrusive, utterly absent and immaterial element. Its volume is only perceived when switched on, thanks to the light that outlines the central emitting surface. The result is a uniform light, ideal for working environments. The company's great optoelectronic skills, combined with a thorough culture of design and with technological know-how, produces a perfectly all-purpose and surprising solution, which translates innovation into emotional perception.

## FEATURES

- Product Code: **1994030APP**
- Colour: **Black**
- Installation: **Suspension**
- Material: **Technopolymer, aluminium**
- Series: **Design Collection**
- Environment: **Indoor**
- design by: **Ernesto Gismondi**

## DIMENSIONS

- Width: **17 mm**
- Diameter: **1380 mm**
- Base Diameter: **237 mm**
- Max Height from ceiling: **2800 mm**

## SOURCES INCLUDED

- Category: **Led**
- Number: **1**
- Watt: **71W**
- Delivered lumen output: **10325lm**
- Color temperature (K): **3000K**
- CRI: **90**
- Color Tolerance: **MacAdam 3SDCM**
- Service Life: **L90 (6K) 50000h**

**Accessories**

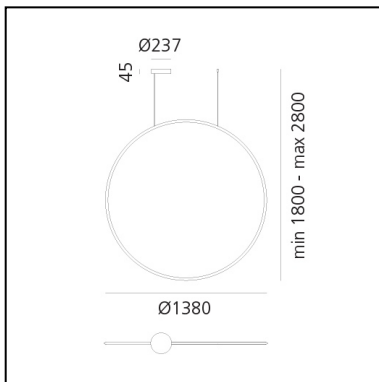
Device for switching and controlling Artemide App products. Max N.3 inputs for external push buttons. Max 1m distance. Mains power supply required. To be installed inside flush mounting boxes or junction boxes. DV1080APP

# Discovery Vertical 140 - Bronze

Ernesto Gismondi



IP20    Dimmerable: 



## LUMINAIRE

- Watt: **80W**
- Delivered lumen output: **6762lm**
- CCT: **3000K**
- Efficiency: **65%**
- Efficacy: **84.52lm/W**
- CRI: **90**
- Dimmable Typology: **Push/DALI**

## Notes

Respects the UGR workplace standards in any position in which it is installed.  
The APP driver can not be controlled by DALI dimming system and viceversa.

## DESCRIPTION

Discovery is an unobtrusive, utterly absent and immaterial element. Its volume is only perceived when switched on, thanks to the light that outlines the central emitting surface. The result is a uniform light, ideal for working environments. The company's great optoelectronic skills, combined with a thorough culture of design and with technological know-how, produces a perfectly all-purpose and surprising solution, which translates innovation into emotional perception.

## FEATURES

- Product Code: **1994060A**
- Colour: **Bronze**
- Installation: **Suspension**
- Material: **Technopolymer, aluminium**
- Series: **Design Collection**
- Environment: **Indoor**
- design by: **Ernesto Gismondi**

## DIMENSIONS

- Width: **17 mm**
- Diameter: **1380 mm**
- Base Diameter: **237 mm**
- Max Height from ceiling: **2800 mm**

## SOURCES INCLUDED

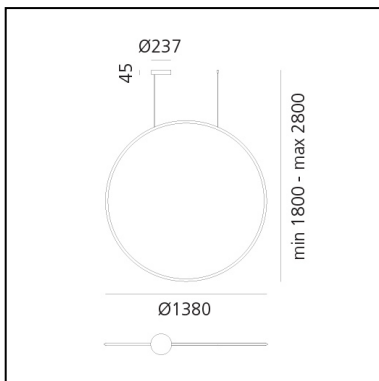
- Category: **Led**
- Number: **1**
- Watt: **71W**
- Delivered lumen output: **10325lm**
- Color temperature (K): **3000K**
- CRI: **90**
- Color Tolerance: **MacAdam 3SDCM**
- Service Life: **L90 (6K) 50000h**

# Discovery Vertical 140 - Bronze - App Compatible

Ernesto Gismondi



IP20    Dimmerable: 



## LUMINAIRE

- Watt: **80W**
- Delivered lumen output: **6762lm**
- CCT: **3000K**
- Efficiency: **65%**
- Efficacy: **84.52lm/W**
- CRI: **90**
- Dimmable Typology: **Push & APP**

## Notes

Respects the UGR workplace standards in any position in which it is installed.  
The APP driver can not be controlled by DALI dimming system and viceversa.

## DESCRIPTION

Discovery is an unobtrusive, utterly absent and immaterial element. Its volume is only perceived when switched on, thanks to the light that outlines the central emitting surface. The result is a uniform light, ideal for working environments. The company's great optoelectronic skills, combined with a thorough culture of design and with technological know-how, produces a perfectly all-purpose and surprising solution, which translates innovation into emotional perception.

## FEATURES

- Product Code: **1994060APP**
- Colour: **Bronze**
- Installation: **Suspension**
- Material: **Technopolymer, aluminium**
- Series: **Design Collection**
- Environment: **Indoor**
- design by: **Ernesto Gismondi**

## DIMENSIONS

- Width: **17 mm**
- Diameter: **1380 mm**
- Base Diameter: **237 mm**
- Max Height from ceiling: **2800 mm**

## SOURCES INCLUDED

- Category: **Led**
- Number: **1**
- Watt: **71W**
- Delivered lumen output: **10325lm**
- Color temperature (K): **3000K**
- CRI: **90**
- Color Tolerance: **MacAdam 3SDCM**
- Service Life: **L90 (6K) 50000h**

**Accessories**

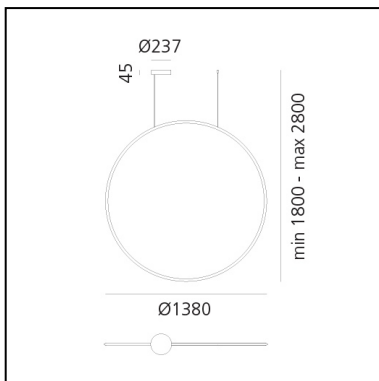
Device for switching and controlling Artemide App products. Max N.3 inputs for external push buttons. Max 1m distance. Mains power supply required. To be installed inside flush mounting boxes or junction boxes. DV1080APP

# Discovery Vertical 140 - Satinized aluminium

Ernesto Gismondi



IP20    Dimmerable: 



## LUMINAIRE

- Watt: **80W**
- Delivered lumen output: **6762lm**
- CCT: **3000K**
- Efficiency: **65%**
- Efficacy: **84.52lm/W**
- CRI: **90**
- Dimmable Typology: **Push/DALI**

## Notes

Respects the UGR workplace standards in any position in which it is installed.  
The APP driver can not be controlled by DALI dimming system and viceversa.

## DESCRIPTION

Discovery is an unobtrusive, utterly absent and immaterial element. Its volume is only perceived when switched on, thanks to the light that outlines the central emitting surface. The result is a uniform light, ideal for working environments. The company's great optoelectronic skills, combined with a thorough culture of design and with technological know-how, produces a perfectly all-purpose and surprising solution, which translates innovation into emotional perception.

## FEATURES

- Product Code: **1994010A**
- Colour: **Satinized aluminium**
- Installation: **Suspension**
- Material: **Technopolymer, aluminium**
- Series: **Design Collection**
- Environment: **Indoor**
- design by: **Ernesto Gismondi**

## DIMENSIONS

- Width: **17 mm**
- Diameter: **1380 mm**
- Base Diameter: **237 mm**
- Max Height from ceiling: **2800 mm**

## SOURCES INCLUDED

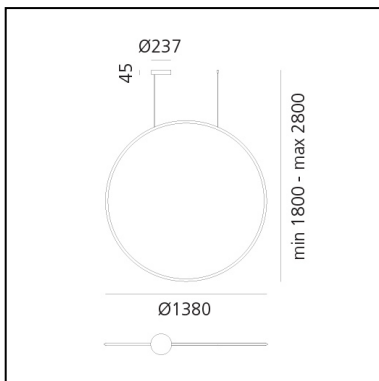
- Category: **Led**
- Number: **1**
- Watt: **71W**
- Delivered lumen output: **10325lm**
- Color temperature (K): **3000K**
- CRI: **90**
- Color Tolerance: **MacAdam 3SDCM**
- Service Life: **L90 (6K) 50000h**

# Discovery Vertical 140 - Satinized aluminium - App Compatible

Ernesto Gismondi



IP20    Dimmerable: 



## LUMINAIRE

- Watt: **80W**
- Delivered lumen output: **6762lm**
- CCT: **3000K**
- Efficiency: **65%**
- Efficacy: **84.52lm/W**
- CRI: **90**
- Dimmable Typology: **Push & APP**

## Notes

Respects the UGR workplace standards in any position in which it is installed.  
The APP driver can not be controlled by DALI dimming system and viceversa.

## DESCRIPTION

Discovery is an unobtrusive, utterly absent and immaterial element. Its volume is only perceived when switched on, thanks to the light that outlines the central emitting surface. The result is a uniform light, ideal for working environments. The company's great optoelectronic skills, combined with a thorough culture of design and with technological know-how, produces a perfectly all-purpose and surprising solution, which translates innovation into emotional perception.

## FEATURES

- Product Code: **1994010APP**
- Colour: **Satinized aluminium**
- Installation: **Suspension**
- Material: **Technopolymer, aluminium**
- Series: **Design Collection**
- Environment: **Indoor**
- design by: **Ernesto Gismondi**

## DIMENSIONS

- Width: **17 mm**
- Diameter: **1380 mm**
- Base Diameter: **237 mm**
- Max Height from ceiling: **2800 mm**

## SOURCES INCLUDED

- Category: **Led**
- Number: **1**
- Watt: **71W**
- Delivered lumen output: **10325lm**
- Color temperature (K): **3000K**
- CRI: **90**
- Color Tolerance: **MacAdam 3SDCM**
- Service Life: **L90 (6K) 50000h**



**Accessories**

Device for switching and controlling Artemide App products. Max N.3 inputs for external push buttons. Max 1m distance. Mains power supply required. To be installed inside flush mounting boxes or junction boxes. DV1080APP