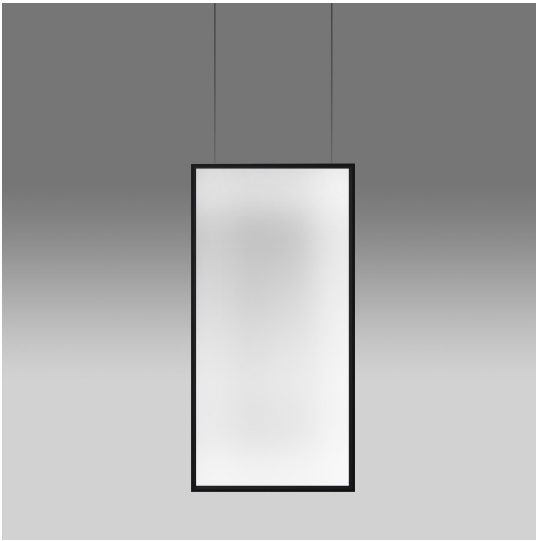


# Discovery Space Rectangular - Black

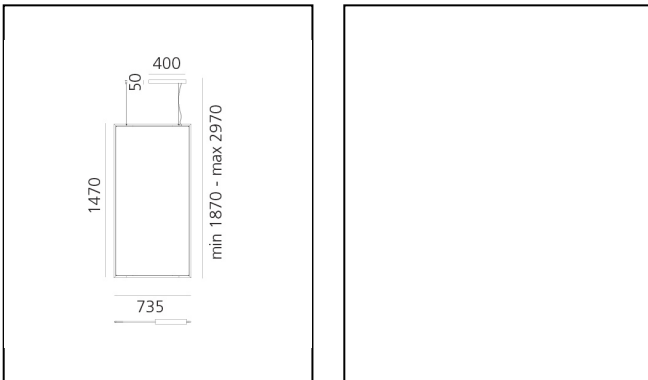
Ernesto Gismondi



## DESCRIPTION

The patented Discovery optical technology also applies to the square and rectangular versions. These geometric shapes allow the model to have even more freedom to interact with the space, thanks to the possibility of hanging the vertical or suspended element at any angle, in all cases producing a comfortable light with UGR <19. Discovery succeeds in encapsulating the values, knowledge, innovation and expertise of Artemide. Unparalleled optoelectronic expertise coupled with a strong culture of design and extensive technological know-how produces highly versatile solutions which have the surprising ability to translate innovation into the emotion of perception.

IP20    Dimmerable: 



## FEATURES

- Product Code: **2005030A**
- Colour: **Black**
- Installation: **Suspension**
- Material: **Technopolymer, aluminium**
- Series: **Design Collection**
- Environment: **Indoor**
- design by: **Ernesto Gismondi**

## DIMENSIONS

- Length: **735 mm**
- Width: **17 mm**
- Height: **1470 mm**
- Max Height from ceiling: **2970 mm**

## SOURCES INCLUDED

- Category: **Led**
- Number: **1**
- Watt: **47W**
- Color Tolerance: **MacAdam 3SDCM**
- Service Life: **L90 (6K) 50000h**

## LUMINAIRE

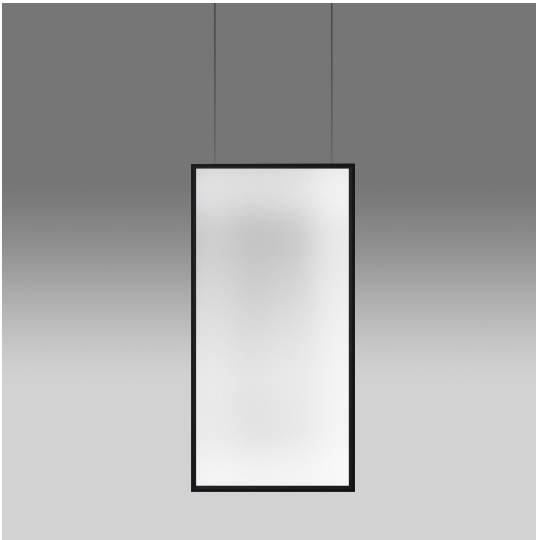
- Watt: **52W**
- Voltage: **220-240V**
- Delivered lumen output: **4002lm**
- CCT: **3000K**
- Efficiency: **55%**
- Efficacy: **76.97lm/W**
- CRI: **90**
- Dimmable Typology: **Push/DALI**

## Notes

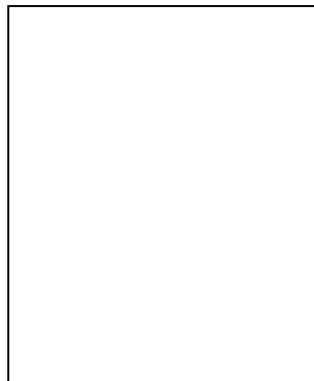
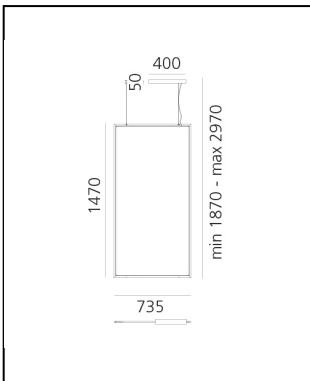
The APP driver can not be controlled by DALI dimming system and viceversa.

# Discovery Space Rectangular - Black - App Compatible

Ernesto Gismondi



IP20    Dimmerable: 



## LUMINAIRE

- Watt: **52W**
- Voltage: **220-240V**
- Delivered lumen output: **4002lm**
- CCT: **3000K**
- Efficiency: **55%**
- Efficacy: **76.97lm/W**
- CRI: **90**
- Dimmable Typology: **Push & APP**

## Notes

The APP driver can not be controlled by DALI dimming system and viceversa.

## DESCRIPTION

The patented Discovery optical technology also applies to the square and rectangular versions. These geometric shapes allow the model to have even more freedom to interact with the space, thanks to the possibility of hanging the vertical or suspended element at any angle, in all cases producing a comfortable light with UGR <19. Discovery succeeds in encapsulating the values, knowledge, innovation and expertise of Artemide. Unparalleled optoelectronic expertise coupled with a strong culture of design and extensive technological know-how produces highly versatile solutions which have the surprising ability to translate innovation into the emotion of perception.

## FEATURES

- Product Code: **2005030APP**
- Colour: **Black**
- Installation: **Suspension**
- Material: **Technopolymer, aluminium**
- Series: **Design Collection**
- Environment: **Indoor**
- design by: **Ernesto Gismondi**

## DIMENSIONS

- Length: **735 mm**
- Width: **17 mm**
- Height: **1470 mm**
- Max Height from ceiling: **2970 mm**

## SOURCES INCLUDED

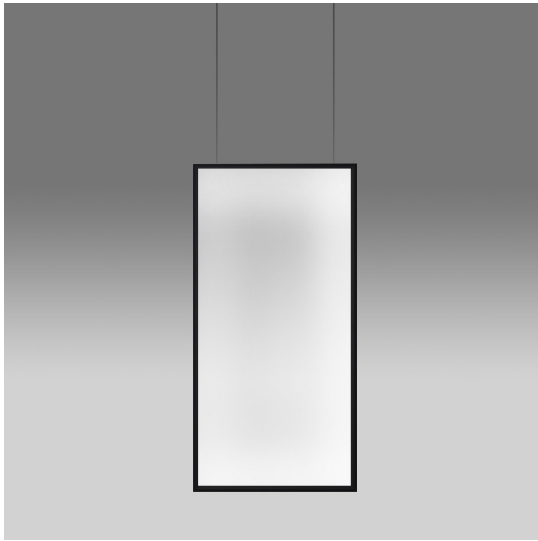
- Category: **Led**
- Number: **1**
- Watt: **47W**
- Color Tolerance: **MacAdam 3SDCM**
- Service Life: **L90 (6K) 50000h**

**Accessories**

Device for switching and controlling Artemide App products. Max N.3 inputs for external push buttons. Max 1m distance. Mains power supply required. To be installed inside flush mounting boxes or junction boxes. DV1080APP

# Discovery Space Rectangular - Bronze

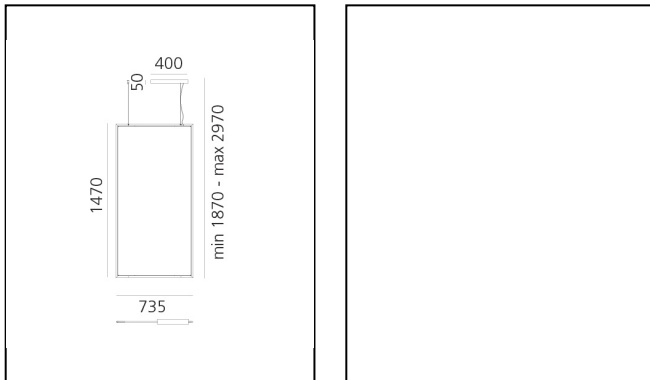
Ernesto Gismondi



## DESCRIPTION

The patented Discovery optical technology also applies to the square and rectangular versions. These geometric shapes allow the model to have even more freedom to interact with the space, thanks to the possibility of hanging the vertical or suspended element at any angle, in all cases producing a comfortable light with UGR <19. Discovery succeeds in encapsulating the values, knowledge, innovation and expertise of Artemide. Unparalleled optoelectronic expertise coupled with a strong culture of design and extensive technological know-how produces highly versatile solutions which have the surprising ability to translate innovation into the emotion of perception.

IP20    Dimmerable: 



## FEATURES

- Product Code: **2005060A**
- Colour: **Bronze**
- Installation: **Suspension**
- Material: **Technopolymer, aluminium**
- Series: **Design Collection**
- Environment: **Indoor**
- design by: **Ernesto Gismondi**

## DIMENSIONS

- Length: **735 mm**
- Width: **17 mm**
- Height: **1470 mm**
- Max Height from ceiling: **2970 mm**

## SOURCES INCLUDED

- Category: **Led**
- Number: **1**
- Watt: **47W**
- Color Tolerance: **MacAdam 3SDCM**
- Service Life: **L90 (6K) 50000h**

## LUMINAIRE

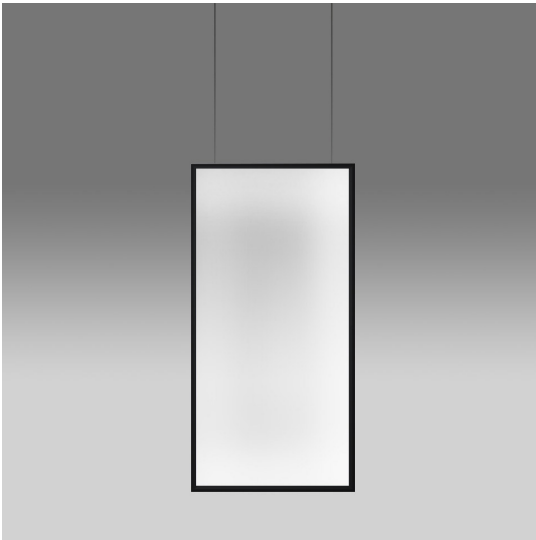
- Watt: **52W**
- Voltage: **220-240V**
- Delivered lumen output: **4002lm**
- CCT: **3000K**
- Efficiency: **55%**
- Efficacy: **76.97lm/W**
- CRI: **90**
- Dimmable Typology: **Push/DALI**

## Notes

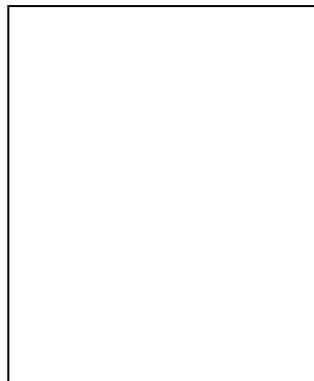
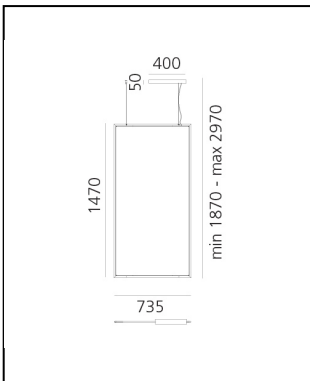
The APP driver can not be controlled by DALI dimming system and viceversa.

# Discovery Space Rectangular - Bronze - App Compatible

Ernesto Gismondi



IP20    Dimmerable: 



## LUMINAIRE

- Watt: **52W**
- Voltage: **220-240V**
- Delivered lumen output: **4002lm**
- CCT: **3000K**
- Efficiency: **55%**
- Efficacy: **76.97lm/W**
- CRI: **90**
- Dimmable Typology: **Push & APP**

## Notes

The APP driver can not be controlled by DALI dimming system and viceversa.

## DESCRIPTION

The patented Discovery optical technology also applies to the square and rectangular versions. These geometric shapes allow the model to have even more freedom to interact with the space, thanks to the possibility of hanging the vertical or suspended element at any angle, in all cases producing a comfortable light with UGR <19. Discovery succeeds in encapsulating the values, knowledge, innovation and expertise of Artemide. Unparalleled optoelectronic expertise coupled with a strong culture of design and extensive technological know-how produces highly versatile solutions which have the surprising ability to translate innovation into the emotion of perception.

## FEATURES

- Product Code: **2005060APP**
- Colour: **Bronze**
- Installation: **Suspension**
- Material: **Technopolymer, aluminium**
- Series: **Design Collection**
- Environment: **Indoor**
- design by: **Ernesto Gismondi**

## DIMENSIONS

- Length: **735 mm**
- Width: **17 mm**
- Height: **1470 mm**
- Max Height from ceiling: **2970 mm**

## SOURCES INCLUDED

- Category: **Led**
- Number: **1**
- Watt: **47W**
- Color Tolerance: **MacAdam 3SDCM**
- Service Life: **L90 (6K) 50000h**

**Accessories**

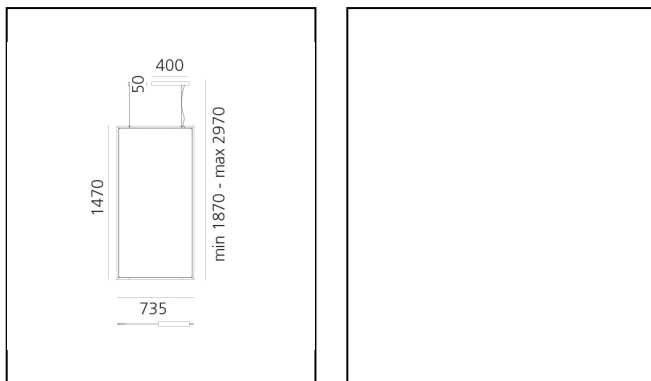
Device for switching and controlling Artemide App products. Max N.3 inputs for external push buttons. Max 1m distance. Mains power supply required. To be installed inside flush mounting boxes or junction boxes. DV1080APP

# Discovery Space Rectangular - Satinized aluminium

Ernesto Gismondi



IP20    Dimmerable: 



## LUMINAIRE

- Watt: **52W**
- Voltage: **220-240V**
- Delivered lumen output: **4002lm**
- CCT: **3000K**
- Efficiency: **55%**
- Efficacy: **76.97lm/W**
- CRI: **90**
- Dimmable Typology: **Push/DALI**

## Notes

The APP driver can not be controlled by DALI dimming system and viceversa.

## DESCRIPTION

The patented Discovery optical technology also applies to the square and rectangular versions. These geometric shapes allow the model to have even more freedom to interact with the space, thanks to the possibility of hanging the vertical or suspended element at any angle, in all cases producing a comfortable light with UGR <19. Discovery succeeds in encapsulating the values, knowledge, innovation and expertise of Artemide. Unparalleled optoelectronic expertise coupled with a strong culture of design and extensive technological know-how produces highly versatile solutions which have the surprising ability to translate innovation into the emotion of perception.

## FEATURES

- Product Code: **2005010A**
- Colour: **Satinized aluminium**
- Installation: **Suspension**
- Material: **Technopolymer, aluminium**
- Series: **Design Collection**
- Environment: **Indoor**
- design by: **Ernesto Gismondi**

## DIMENSIONS

- Length: **735 mm**
- Width: **17 mm**
- Height: **1470 mm**
- Max Height from ceiling: **2970 mm**

## SOURCES INCLUDED

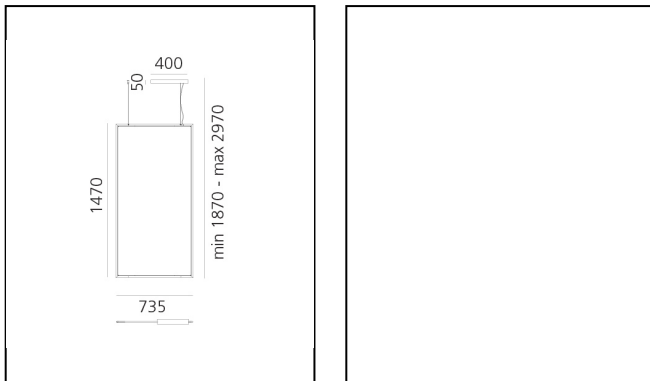
- Category: **Led**
- Number: **1**
- Watt: **47W**
- Color Tolerance: **MacAdam 3SDCM**
- Service Life: **L90 (6K) 50000h**

# Discovery Space Rectangular - Satinized aluminium - App Compatible

Ernesto Gismondi



IP20    Dimmerable: 



## LUMINAIRE

- Watt: **52W**
- Voltage: **220-240V**
- Delivered lumen output: **4002lm**
- CCT: **3000K**
- Efficiency: **55%**
- Efficacy: **76.97lm/W**
- CRI: **90**
- Dimmable Typology: **Push & APP**

## Notes

The APP driver can not be controlled by DALI dimming system and viceversa.

## DESCRIPTION

The patented Discovery optical technology also applies to the square and rectangular versions. These geometric shapes allow the model to have even more freedom to interact with the space, thanks to the possibility of hanging the vertical or suspended element at any angle, in all cases producing a comfortable light with UGR <19. Discovery succeeds in encapsulating the values, knowledge, innovation and expertise of Artemide. Unparalleled optoelectronic expertise coupled with a strong culture of design and extensive technological know-how produces highly versatile solutions which have the surprising ability to translate innovation into the emotion of perception.

## FEATURES

- Product Code: **2005010APP**
- Colour: **Satinized aluminium**
- Installation: **Suspension**
- Material: **Technopolymer, aluminium**
- Series: **Design Collection**
- Environment: **Indoor**
- design by: **Ernesto Gismondi**

## DIMENSIONS

- Length: **735 mm**
- Width: **17 mm**
- Height: **1470 mm**
- Max Height from ceiling: **2970 mm**

## SOURCES INCLUDED

- Category: **Led**
- Number: **1**
- Watt: **47W**
- Color Tolerance: **MacAdam 3SDCM**
- Service Life: **L90 (6K) 50000h**



**Accessories**

Device for switching and controlling Artemide App products. Max N.3 inputs for external push buttons. Max 1m distance. Mains power supply required. To be installed inside flush mounting boxes or junction boxes. DV1080APP