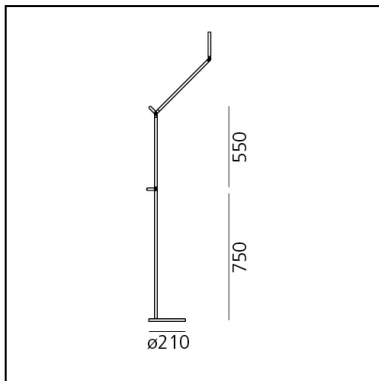


# Demetra Reading Floor - 2700K - Body Lamp - Anthracite Grey

Naoto Fukasawa



IP20   **ERC** **CE** Dimmerable: 



## LUMINAIRE

- Watt: **8W**
- Voltage: **100-240V**
- Delivered lumen output: **360lm**
- CCT: **2700K**
- Efficiency: **54%**
- Efficacy: **45.00lm/W**
- CRI: **90**
- Dimmer Typology: **Microswitch Dimmer**

## Notes

Microswitch dimmer.  
Code related only to the body lamp, to be completed with the base/support.

## DESCRIPTION

Demetra is essential, functional and timeless. In keeping with Naoto Fukasawa's "Without Thought" approach, it is "natural" like a spontaneous expression of the harmonious relationship between the user, the object and the environment. Perfect for reading, its light can set different moods and follow the flow of our activities, at home or work, thanks also to the possibility of incorporating a motion sensor which manages the device lighting according to the proximity of the user.

## FEATURES

- Product Code: **1734W10A**
- Colour: **Grey anthracite**
- Installation: **Floor**
- Material: **Aluminium, technopolymer, steel**
- Series: **Design Collection**
- design by: **Naoto Fukasawa**

## DIMENSIONS

- Length: **650 mm**
- Height: **1550 mm**
- Base Diameter: **210 mm**
- Impact Resistance: **N.D.**
- Glow Wire Test: **650°**

## SOURCES INCLUDED

- Category: **Led**
- Number: **1**
- Watt: **8W**
- Delivered lumen output: **730lm**
- Color temperature (K): **2700K**
- CRI: **90**
- Color Tolerance: **MacAdam 2SDCM**

**Accessories**



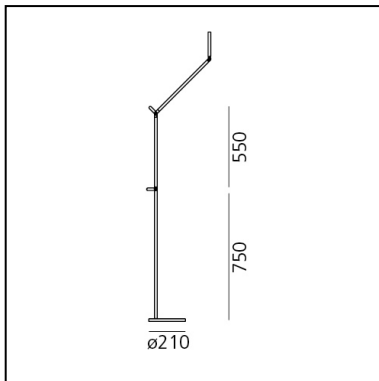
DEMETRA  
SUPPORTO F  
GRO 1741010A

# Demetra Reading Floor - 2700K - Body Lamp - White

Naoto Fukasawa



IP20     Dimmerable: 



## LUMINAIRE

- Watt: **8W**
- Voltage: **100-240V**
- Delivered lumen output: **360lm**
- CCT: **2700K**
- Efficiency: **54%**
- Efficacy: **45.00lm/W**
- CRI: **90**
- Dimmer Typology: **Microswitch Dimmer**

## Notes

Microswitch dimmer.  
Code related only to the body lamp, to be completed with the base/support.

## DESCRIPTION

Demetra is essential, functional and timeless. In keeping with Naoto Fukasawa's "Without Thought" approach, it is "natural" like a spontaneous expression of the harmonious relationship between the user, the object and the environment. Perfect for reading, its light can set different moods and follow the flow of our activities, at home or work, thanks also to the possibility of incorporating a motion sensor which manages the device lighting according to the proximity of the user.

## FEATURES

- Product Code: **1734W20A**
- Colour: **White**
- Installation: **Floor**
- Material: **Aluminium, technopolymer, steel**
- Series: **Design Collection**
- design by: **Naoto Fukasawa**

## DIMENSIONS

- Length: **650 mm**
- Height: **1550 mm**
- Diameter: **210 mm**
- Impact Resistance: **N.D.**
- Glow Wire Test: **650°**

## SOURCES INCLUDED

- Category: **Led**
- Number: **1**
- Watt: **8W**
- Delivered lumen output: **730lm**
- Color temperature (K): **2700K**
- CRI: **90**
- Color Tolerance: **MacAdam 2SDCM**

**Accessories**



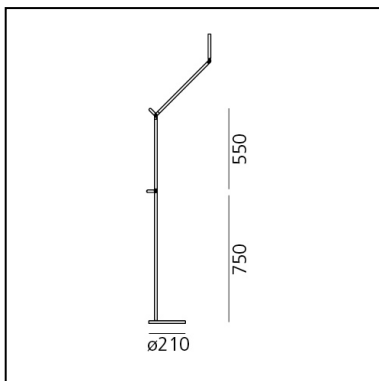
DEMETRA  
SUPPORTO F  
BCO 1741020A

# Demetra Reading Floor - 2700K - Body Lamp - Opaque black

Naoto Fukasawa



IP20   **ERC** **CE** Dimmerable: 



## LUMINAIRE

- Watt: **8W**
- Voltage: **100-240V**
- Delivered lumen output: **360lm**
- CCT: **2700K**
- Efficiency: **54%**
- Efficacy: **45.00lm/W**
- CRI: **90**
- Dimmer Typology: **Microswitch Dimmer**

## Notes

Microswitch dimmer.  
Code related only to the body lamp, to be completed with the base/support.

## DESCRIPTION

Demetra is essential, functional and timeless. In keeping with Naoto Fukasawa's "Without Thought" approach, it is "natural" like a spontaneous expression of the harmonious relationship between the user, the object and the environment. Perfect for reading, its light can set different moods and follow the flow of our activities, at home or work, thanks also to the possibility of incorporating a motion sensor which manages the device lighting according to the proximity of the user.

## FEATURES

- Product Code: **1734W50A**
- Colour: **Opaque Black**
- Installation: **Floor**
- Material: **Aluminium, technopolymer, steel**
- Series: **Design Collection**
- design by: **Naoto Fukasawa**

## DIMENSIONS

- Length: **650 mm**
- Height: **1550 mm**
- Diameter: **210 mm**
- Impact Resistance: **N.D.**
- Glow Wire Test: **650°**

## SOURCES INCLUDED

- Category: **Led**
- Number: **1**
- Watt: **8W**
- Delivered lumen output: **730lm**
- Color temperature (K): **2700K**
- CRI: **90**
- Color Tolerance: **MacAdam 2SDCM**

**Accessories**



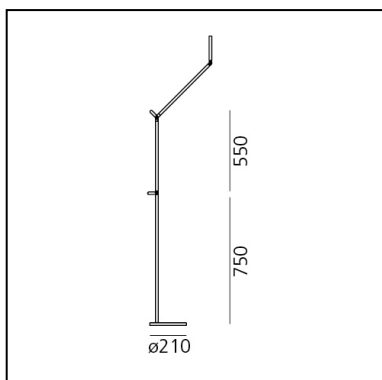
Demetra Reading Floor -  
floor support opaque black  
1741050A

# Demetra Reading Floor - 3000K - Body Lamp - Anthracite Grey

Naoto Fukasawa



IP20   **ERC** **CE** Dimmerable: 



## LUMINAIRE

- Watt: **8W**
- Delivered lumen output: **385lm**
- CCT: **3000K**
- Efficiency: **54%**
- Efficacy: **48.08lm/W**
- CRI: **90**
- Dimmer Typology: **Microswitch Dimmer**

## Notes

Microswitch dimmer.  
Code related only to the body lamp, to be completed with the base/support.

## DESCRIPTION

Demetra is essential, functional and timeless. In keeping with Naoto Fukasawa's "Without Thought" approach, it is "natural" like a spontaneous expression of the harmonious relationship between the user, the object and the environment. Perfect for reading, its light can set different moods and follow the flow of our activities, at home or work, thanks also to the possibility of incorporating a motion sensor which manages the device lighting according to the proximity of the user.

## FEATURES

- Product Code: **1734010A**
- Colour: **Grey anthracite**
- Installation: **Floor**
- Material: **Aluminium, technopolymer, steel**
- Series: **Design Collection**
- design by: **Naoto Fukasawa**

## DIMENSIONS

- Length: **650 mm**
- Height: **1550 mm**
- Base Diameter: **210 mm**
- Impact Resistance: **N.D.**
- Glow Wire Test: **650°**

## SOURCES INCLUDED

- Category: **Led**
- Number: **1**
- Watt: **6W**
- Delivered lumen output: **726lm**
- Color temperature (K): **3000K**
- CRI: **90**
- Color Tolerance: **MacAdam 2SDCM**
- Efficacy: **120lm/W**
- Service Life: **50000-L70**

**Accessories**



DEMETRA  
SUPPORTO F  
GRO 1741010A

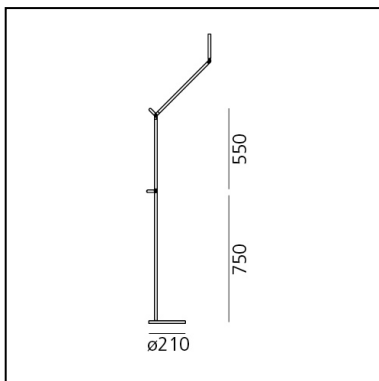


# Demetra Reading Floor - 3000K - Body Lamp - White

Naoto Fukasawa



IP 20    Dimmerable: 



## LUMINAIRE

- Watt: **8W**
- Delivered lumen output: **385lm**
- CCT: **3000K**
- Efficiency: **54%**
- Efficacy: **48.08lm/W**
- CRI: **90**
- Dimmer Typology: **Microswitch Dimmer**

## Notes

Microswitch dimmer.  
Code related only to the body lamp, to be completed with the base/support.

## DESCRIPTION

Demetra is essential, functional and timeless. In keeping with Naoto Fukasawa's "Without Thought" approach, it is "natural" like a spontaneous expression of the harmonious relationship between the user, the object and the environment. Perfect for reading, its light can set different moods and follow the flow of our activities, at home or work, thanks also to the possibility of incorporating a motion sensor which manages the device lighting according to the proximity of the user.

## FEATURES

- Product Code: **1734020A**
- Colour: **White**
- Installation: **Floor**
- Material: **Aluminium, technopolymer, steel**
- Series: **Design Collection**
- design by: **Naoto Fukasawa**

## DIMENSIONS

- Length: **650 mm**
- Height: **1550 mm**
- Diameter: **210 mm**
- Impact Resistance: **N.D.**
- Glow Wire Test: **650°**

## SOURCES INCLUDED

- Category: **Led**
- Number: **1**
- Watt: **6W**
- Delivered lumen output: **726lm**
- Color temperature (K): **3000K**
- CRI: **90**
- Color Tolerance: **MacAdam 2SDCM**
- Efficacy: **120lm/W**
- Service Life: **50000-L70**

**Accessories**



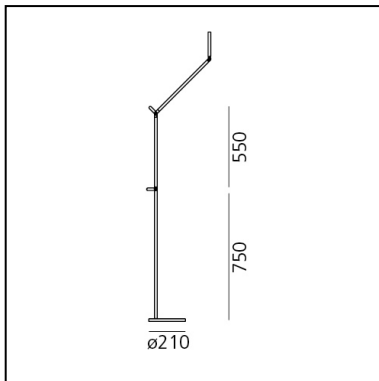
DEMETRA  
SUPPORTO F  
BCO 1741020A

# Demetra Reading Floor - 3000K - Body Lamp - Opaque black

Naoto Fukasawa



IP 20    Dimmerable: 



## LUMINAIRE

- Watt: **8W**
- Delivered lumen output: **385lm**
- CCT: **3000K**
- Efficiency: **54%**
- Efficacy: **48.08lm/W**
- CRI: **90**
- Dimmer Typology: **Microswitch Dimmer**

## Notes

Microswitch dimmer.  
Code related only to the body lamp, to be completed with the base/support.

## DESCRIPTION

Demetra is essential, functional and timeless. In keeping with Naoto Fukasawa's "Without Thought" approach, it is "natural" like a spontaneous expression of the harmonious relationship between the user, the object and the environment. Perfect for reading, its light can set different moods and follow the flow of our activities, at home or work, thanks also to the possibility of incorporating a motion sensor which manages the device lighting according to the proximity of the user.

## FEATURES

- Product Code: **1734050A**
- Colour: **Opaque Black**
- Installation: **Floor**
- Material: **Aluminium, technopolymer, steel**
- Series: **Design Collection**
- design by: **Naoto Fukasawa**

## DIMENSIONS

- Length: **650 mm**
- Height: **1550 mm**
- Diameter: **210 mm**
- Impact Resistance: **N.D.**
- Glow Wire Test: **650°**

## SOURCES INCLUDED

- Category: **Led**
- Number: **1**
- Watt: **6W**
- Delivered lumen output: **726lm**
- Color temperature (K): **3000K**
- CRI: **90**
- Color Tolerance: **MacAdam 2SDCM**
- Efficacy: **120lm/W**
- Service Life: **50000-L70**

**Accessories**



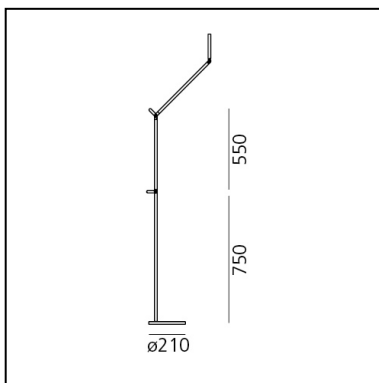
Demetra Reading Floor -  
floor support opaque black  
1741050A

# Demetra Reading Floor - Movement Detector - 3000K - Body Lamp - Anthracite Grey

Naoto Fukasawa



IP20     Dimmerable: 



## LUMINAIRE

- Watt: **8W**
- Delivered lumen output: **385lm**
- CCT: **3000K**
- Efficiency: **54%**
- Efficacy: **48.08lm/W**
- CRI: **90**
- Dimmer Typology: **Microswitch Dimmer**

## Notes

Microswitch dimmer.  
Code related only to the body lamp, to be completed with the base/support.

## DESCRIPTION

Demetra is essential, functional and timeless. In keeping with Naoto Fukasawa's "Without Thought" approach, it is "natural" like a spontaneous expression of the harmonious relationship between the user, the object and the environment. Perfect for reading, its light can set different moods and follow the flow of our activities, at home or work, thanks also to the possibility of incorporating a motion sensor which manages the device lighting according to the proximity of the user.

## FEATURES

- Product Code: **1735010A**
- Colour: **Grey anthracite**
- Installation: **Floor**
- Material: **Aluminium, technopolymer, steel**
- Series: **Design Collection**
- design by: **Naoto Fukasawa**

## DIMENSIONS

- Length: **650 mm**
- Height: **1550 mm**
- Diameter: **210 mm**
- Impact Resistance: **N.D.**
- Glow Wire Test: **650°**

## SOURCES INCLUDED

- Category: **Led**
- Number: **1**
- Watt: **6W**
- Delivered lumen output: **726lm**
- Color temperature (K): **3000K**
- CRI: **90**
- Color Tolerance: **MacAdam 2SDCM**
- Efficacy: **120lm/W**
- Service Life: **50000-L70**

**Accessories**



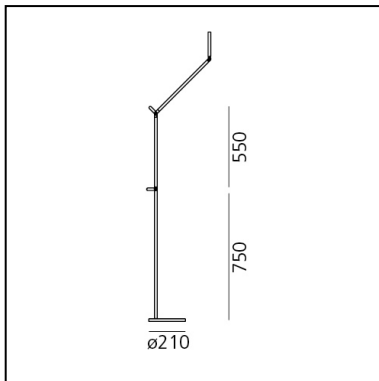
DEMETRA  
SUPPORTO F  
GRO 1741010A

# Demetra Reading Floor - Movement Detector - 3000K - Body Lamp - White

Naoto Fukasawa



IP20    Dimmerable: 



## LUMINAIRE

- Watt: **8W**
- Delivered lumen output: **385lm**
- CCT: **3000K**
- Efficiency: **54%**
- Efficacy: **48.08lm/W**
- CRI: **90**
- Dimmer Typology: **Microswitch Dimmer**

## Notes

Microswitch dimmer.  
Code related only to the body lamp, to be completed with the base/support.

## DESCRIPTION

Demetra is essential, functional and timeless. In keeping with Naoto Fukasawa's "Without Thought" approach, it is "natural" like a spontaneous expression of the harmonious relationship between the user, the object and the environment. Perfect for reading, its light can set different moods and follow the flow of our activities, at home or work, thanks also to the possibility of incorporating a motion sensor which manages the device lighting according to the proximity of the user.

## FEATURES

- Product Code: **1735020A**
- Colour: **White**
- Installation: **Floor**
- Material: **Aluminium, technopolymer, steel**
- Series: **Design Collection**
- design by: **Naoto Fukasawa**

## DIMENSIONS

- Length: **650 mm**
- Height: **1550 mm**
- Diameter: **210 mm**
- Impact Resistance: **N.D.**
- Glow Wire Test: **650°**

## SOURCES INCLUDED

- Category: **Led**
- Number: **1**
- Watt: **6W**
- Delivered lumen output: **726lm**
- Color temperature (K): **3000K**
- CRI: **90**
- Color Tolerance: **MacAdam 2SDCM**
- Efficacy: **120lm/W**
- Service Life: **50000-L70**

**Accessories**



DEMETRA  
SUPPORTO F  
BCO 1741020A

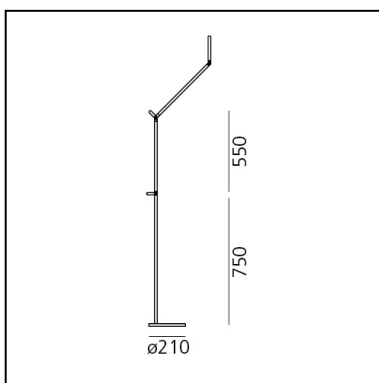


# Demetra Reading Floor - Movement Detector - 3000K - Body Lamp - Opaque Black

Naoto Fukasawa



IP20     Dimmerable: 



## LUMINAIRE

- Watt: **8W**
- Delivered lumen output: **385lm**
- CCT: **3000K**
- Efficiency: **54%**
- Efficacy: **48.08lm/W**
- CRI: **90**
- Dimmer Typology: **Microswitch Dimmer**

## Notes

Microswitch dimmer.  
Code related only to the body lamp, to be completed with the base/support.

## DESCRIPTION

Demetra is essential, functional and timeless. In keeping with Naoto Fukasawa's "Without Thought" approach, it is "natural" like a spontaneous expression of the harmonious relationship between the user, the object and the environment. Perfect for reading, its light can set different moods and follow the flow of our activities, at home or work, thanks also to the possibility of incorporating a motion sensor which manages the device lighting according to the proximity of the user.

## FEATURES

- Product Code: **1735050A**
- Colour: **Opaque Black**
- Installation: **Floor**
- Material: **Aluminium, technopolymer, steel**
- Series: **Design Collection**
- design by: **Naoto Fukasawa**

## DIMENSIONS

- Length: **650 mm**
- Height: **1550 mm**
- Diameter: **210 mm**
- Impact Resistance: **N.D.**
- Glow Wire Test: **650°**

## SOURCES INCLUDED

- Category: **Led**
- Number: **1**
- Watt: **6W**
- Delivered lumen output: **726lm**
- Color temperature (K): **3000K**
- CRI: **90**
- Color Tolerance: **MacAdam 2SDCM**
- Efficacy: **120lm/W**
- Service Life: **50000-L70**

**Accessories**



Demetra Reading Floor -  
floor support opaque black  
1741050A